



BALDOR® • *RELIANCE*

Product Information Packet

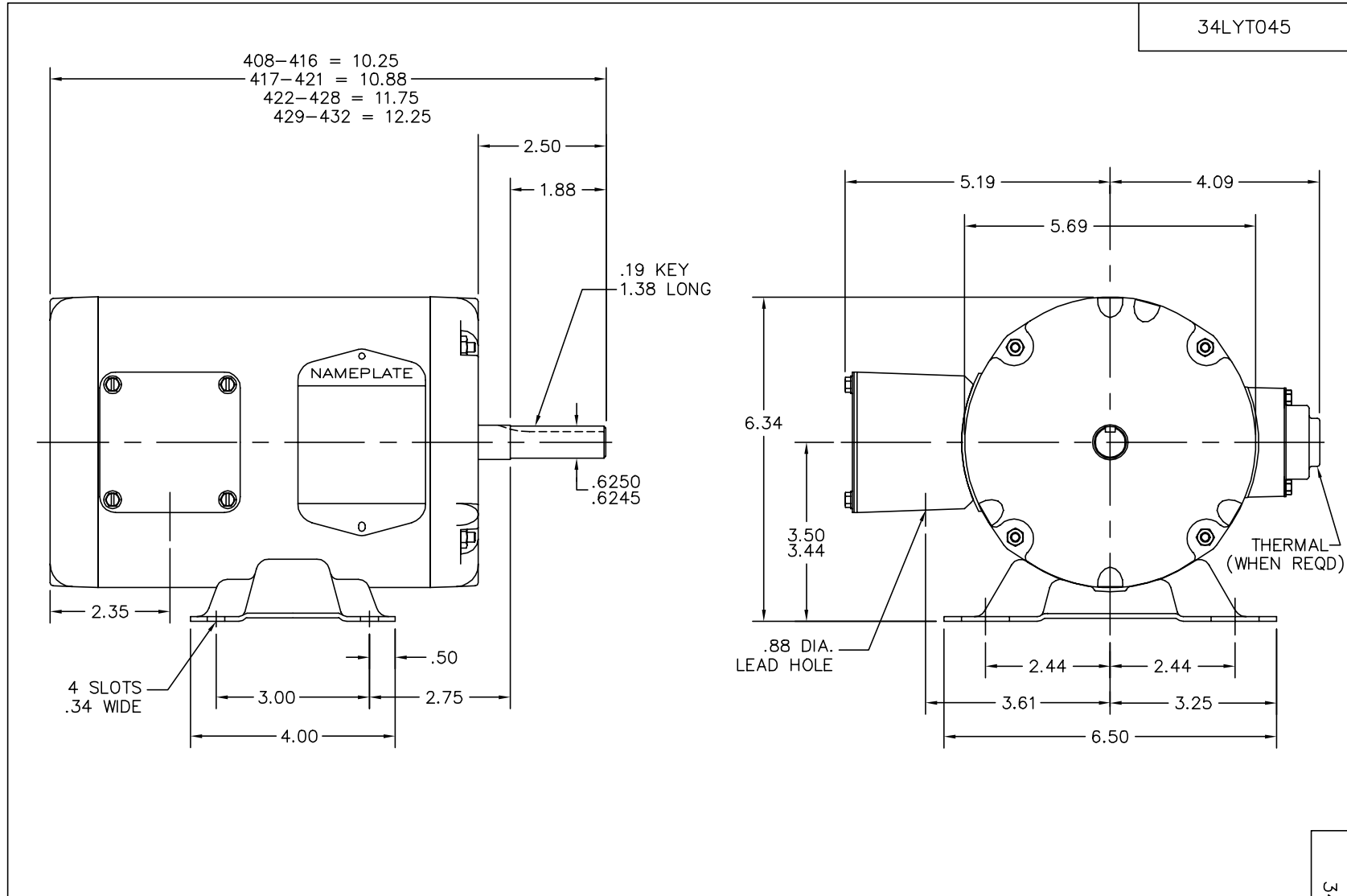
AOM3543

.75HP,1140RPM,3PH,60HZ,56,3428M,TEAO,F1

Product Detail							
Revision:	-	Status:	PRD/A	Change #:		Proprietary:	No
Type:	AC	Prod Type:	3428M	Elec. Spec:	34WGW012	CD Diagram:	CD0005
Enclosure	TEAO	Mfg Plant:		Mech Spec:	34T045	Layout:	34LYT045
Frame:	56	Mounting:	F1	Poles:	06	Created Date:	11-20-2007
Base:	RG	Rotation:	R	Insulation:	F	Eff. Date:	01-04-2008
Leads:	9#18	Literature:		Elec. Diagram:		Replaced By:	

Nameplate NP1256L									
CAT.NO.	AOM3543								
SPEC.	34T045W012G1								
HP	.75								
VOLTS	208-230/460								
AMP	3.3-3/1.5								
RPM	1140								
FRAME	56	HZ			60	PH	3		
SER.F.	1.00	CODE			K	DES	B	CLASS	F
NEMA-NOM-EFF	77	PF			59				
RATING	40C AMB-CONT								
CC				USABLE AT 208V		3.3			
DE	6203	ODE			6203				
ENCL	TEAO	SN							

Parts List			
Product ID	Description	Quantity	List Price
SA165150	SA 34T045W012G1	1.000	316.00
RA153562	RA 34T045W012G1	1.000	264.00
NS2512A01	INSULATOR, CONDUIT BOX X X	1.000	2.00
34CB3002A	CB CAST W/.88 DIA HOLE	1.000	13.00
34GS1029A01	GASKET, CONDUIT BOX	1.000	2.00
51XB1016A07	10-16 X 7/16 HXWSSLD SERTYB	2.000	2.00
11XW1032G06	10-32 X .38, TAPTITE II, HEX WSHR SLTD U	1.000	3.00
34EP3100A03SP	FR ENDPLATE, MACH	1.000	52.00
HW5100A03SP	WAVY WASHER (W1543-017)	1.000	2.00
34EP3102A02SP	FR/PU ENDPLATE, MACH	1.000	24.00
XY1032A02	10-32 HEX NUT DIRECTIONAL SERRATION	4.000	2.00
34CB4517	CB LID 4 MTG HOLES .22 DIA STAMPED, FOR	1.000	5.00
34GS1031A01	GASKET, FLAT CONDUIT BOX LID (LEXIDE)	1.000	2.00
51XW0832A07	8-32 X .44, TAPTITE II, HEX WSHR SLTD SE	4.000	2.00
HW2501D13SP	KEY, 3/16 SQ X 1.375	1.000	2.00
HA7000A04	KEY RETAINER 0.625 DIA SHAFTS	1.000	2.00
MG1000G27	PAINT- S9282E CHARCOAL GREY	0.014	4,000.00
10XF0440S02	04-40 X 1/8 TYPE F HEX HD STAINLESS STIC	2.000	2.00
HA3100A45	THRUBOLT 10-32 X 8.875	4.000	5.00
LB5040	INSTRUCTION TAG, AC & DC	1.000	2.00
LB1172A01	CUSTOM MTR CARTON LABEL LASER PRINTER	1.000	2.00
LC0005E01	CONN.DIA./WARNING LABEL (LC0005/LB1119)	1.000	2.00
NP1256L	NP STD LASER ENGRAVED, UL CSA CC, W/O TH	1.000	3.00
34PA1005	PACKING GROUP, BALDOR	1.000	10.00



CUSTOMER IS RESPONSIBLE FOR DETERMINING THAT MOTOR PERFORMANCE IS SUITABLE IN THE APPLICATION.

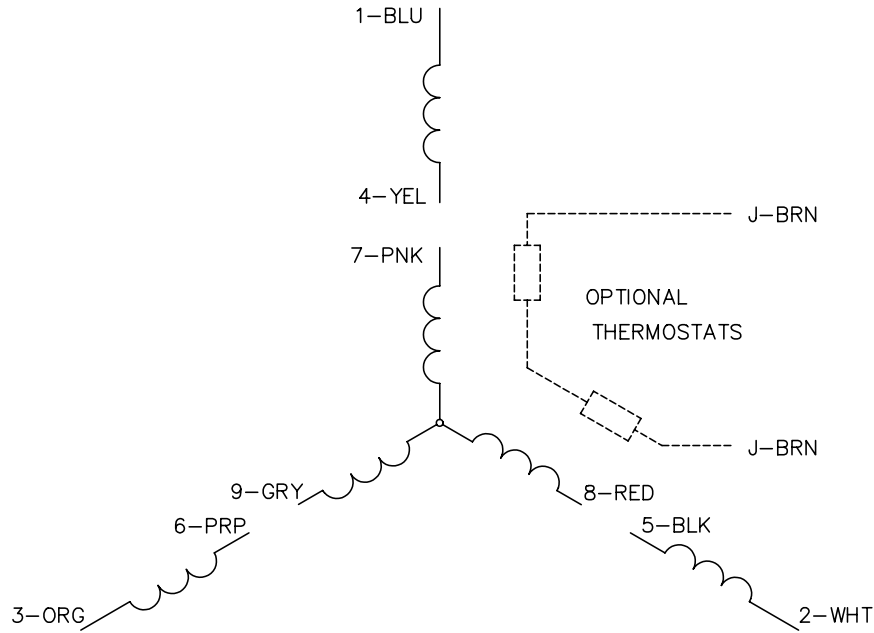
REV. DESC: UPDATED DRAWING		
REV. LTR: D	VERSION: 01	TDR: 000000424850
34LYT045	FILE: \AAA\00026\166	REVISED: 08:19:50 03/13/2007
	MTL: -	BY: ENRSTO

BALDOR ELECTRIC Co.

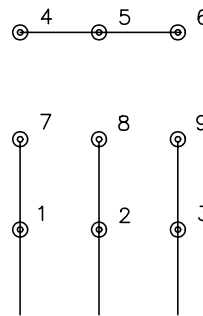
STD HORZ MODEL 34M NEMA 56 TEAO

34LYT045

CD0005

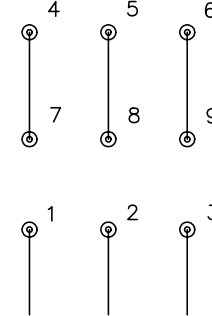


LOW VOLTAGE
(2Y)



LINE

HIGH VOLTAGE
(1Y)



LINE

NOTES:

1. INTERCHANGE ANY TWO LINE LEADS TO REVERSE ROTATION.
2. OPTIONAL THERMOSTATS ARE PROVIDED WHEN SPECIFIED.
3. ACTUAL NUMBER OF INTERNAL PARALLEL CIRCUITS MAY BE A MULTIPLE OF THOSE SHOWN ABOVE.
4. LEAD COLORS ARE OPTIONAL. LEADS MUST ALWAYS BE NUMBERED AS SHOWN.

REV. DESC: REVISE TO SHOW OPTIONAL COLORS			
REV. LTR: E	BY: JLP	REVISED: 01/19/99 10:15	TDR: 0171435
900000		FILE: AAA00005140	MDL: -
		MTL: -	

BALDOR ELECTRIC Co.

3PH, DV, 9 LEADS

CD0005