



BALDOR® • *RELIANCE*

Product Information Packet

CEM3554

1.5HP,1760RPM,3PH,60HZ,56C,3533M,TEFC,F1

Product Detail							
Revision:	C	Status:	PRD/A	Change #:		Proprietary:	No
Type:	AC	Prod Type:	3528M	Elec. Spec:	35WGQ090	CD Diagram:	CD0005
Enclosure	TEFC	Mfg Plant:		Mech Spec:	35A012	Layout:	35LYA012
Frame:	56C	Mounting:	F1	Poles:	04	Created Date:	05-30-2006
Base:	RG	Rotation:	R	Insulation:	F	Eff. Date:	12-05-2008
Leads:	9#18	Literature:		Elec. Diagram:		Replaced By:	

Nameplate NP1259L

CAT.NO.	CEM3554						
SPEC.	35A012Q090E7						
HP	1.5						
VOLTS	230/460						
AMP	4/2						
RPM	1740						
FRAME	56C	HZ	60	PH	3		
SER.F.	1.15	CODE	K	DES	B	CL	F
NEMA-NOM-EFF	86.5	PF	80				
RATING	40C AMB-CONT						
CC			USABLE AT 208V				
DE	6205	ODE	6203				
ENCL	TEFC	SN					

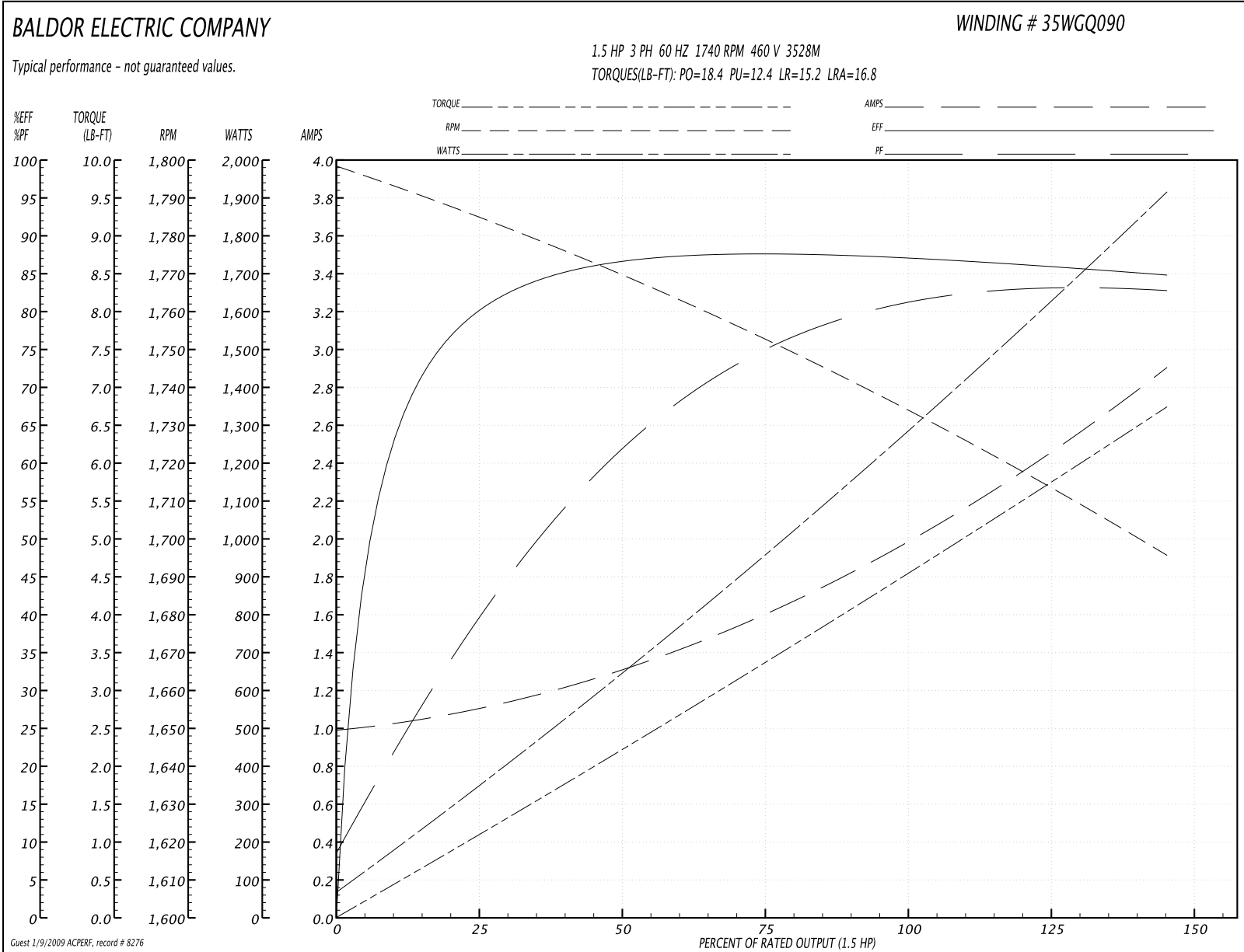
Parts List			
Product ID	Description	Quantity	List Price
SA143452	SA 35A012Q090E7	1.000	343.00
RA132695	RA 35A012Q090E7	1.000	286.00
S/P107-000-001	SUPER E PROC'S-FS & WS PLTS-POLYREX EM G	1.000	
NS2512A01	INSULATOR, CONDUIT BOX X X	1.000	2.00
35CB3007	35 CB CASTING W/.88 DIA. LEAD HOLE	1.000	27.00
36GS1000SP	GASKET-CONDUIT BOX, .06 THICK #SV-330 LE	1.000	5.00
51XB1016A07	10-16 X 7/16 HXWSSLD SERTYB	2.000	2.00
11XW1032G06	10-32 X .38, TAPTITE II, HEX WSHR SLTD U	1.000	3.00
35EP3100M02	FREP TEFC 203 BRG W/O GRSR (RAISED FH MT	1.000	28.00
HW5100A03SP	WAVY WASHER (W1543-017)	1.000	2.00
35EP3300A33	SPL FACE MTD EP -ENCL-205 BRG	1.000	80.00
51XN1032A20	10-32 X 1 1/4 HX WS SL SR	2.000	2.00
51XB1214A16	12-14X1.00 HXWSSLD SERTYB	1.000	2.00
35FH4005A32SP	IEC FH NO GRSR W/3 HOLES - W/AUTOPHERETI	1.000	23.00
51XW1032A06	10-32 X .38, TAPTITE II, HEX WSHR SLTD S	3.000	3.00
35CB4521	35 LIPPED CB LID (GALV & PHOSPH)	1.000	2.00
35GS1030	35 GS FOR CB LID - LEXIDE	1.000	2.00
51XW0832A07	8-32 X .44, TAPTITE II, HEX WSHR SLTD SE	4.000	2.00
HW2501D13SP	KEY, 3/16 SQ X 1.375	1.000	2.00
HA7000A04	KEY RETAINER 0.625 DIA SHAFTS	1.000	2.00
10XF0440S02	04-40 X 1/8 TYPE F HEX HD STAINLESS STIC	2.000	2.00
MJ1000A02	GREASE, POLYREX EM EXXON	0.050	10.00
35FN3002A05SP	EXTERNAL FAN, PLASTIC, FOR .637 DIA JOUR	1.000	22.00
HA3100A15	THRUBOLT 10-32 X 8.375	4.000	2.00

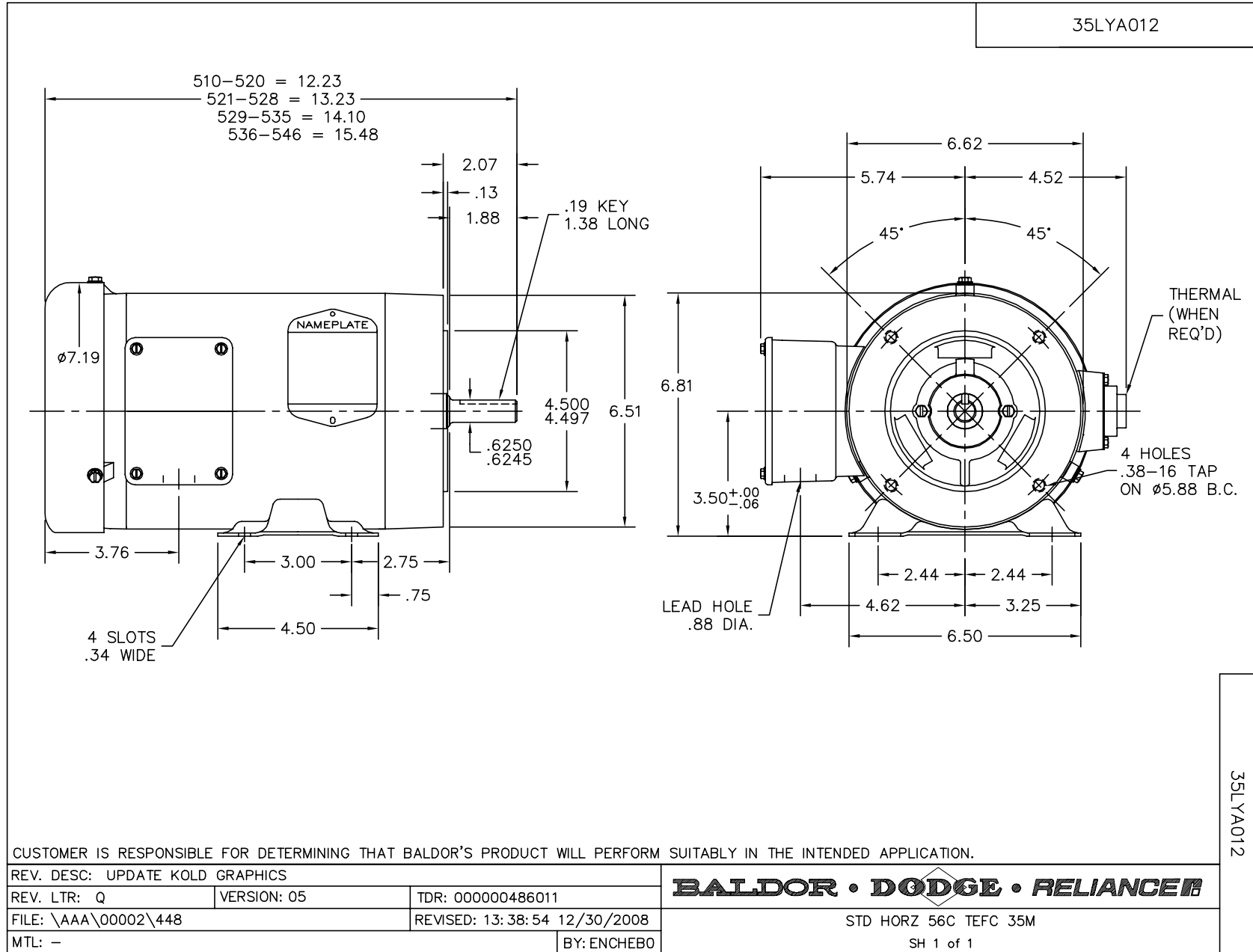
Parts List (continued)			
Product ID	Description	Quantity	List Price
MG1000Y03	WILCO 149-708 GOLD PAINT SUPER E	0.017	263.00
LB1125C02	SUPER-E (STOCK CTN LABEL SUPER-E WITH FL	1.000	2.00
LB1357	ENERGY GUIDE LABEL (BOX LABEL)	1.000	2.00
LC0005E01	CONN.DIA./WARNING LABEL (LC0005/LB1119)	1.000	2.00
NP1259L	STD LASER ENGRAVED, SUPER E,UL CSA CC, W	1.000	
36PA1000	PACK GROUP W/LB5001	1.000	17.00

Performance Data at 460V, 60Hz, 1.5HP (Typical performance - Not guaranteed values)

General Characteristics							
Full Load Torque:	4.5 LB-FT			Start Configuration:	DOL		
No-Load Current:	1.0 Amps			Break-Down Torque:	18.4 LB-FT		
Line-line Res. @ 25°C.:	9.56 Ohms A Ph / 0.0 Ohms B Ph			Pull-Up Torque:	12.4 LB-FT		
Temp. Rise @ Rated Load:	41°C			Locked-Rotor Torque:	15.2 LB-FT		
Temp. Rise @ S.F. Load:	49°C			Starting Current:	16.8 Amps		
Load Characteristics							
% of Rated Load:	25	50	75	100	125	150	S.F.
Power Factor:	39.0	61.0	73.0	80.0	84.0	86.0	82.0
Efficiency:	79.4	86.4	87.6	87.4	86.2	84.7	86.7
Speed:	1784.0	1769.0	1752.0	1736.0	1716.0	1695.0	1724.0
Line Amperes:	1.1	1.3	1.6	2.0	2.4	2.9	2.2

Performance Graph at 460V, 60Hz, 1.5HP (Typical performance - Not guaranteed values)

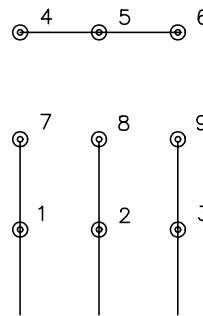




CD0005

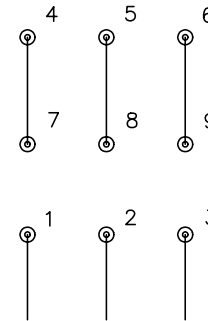


LOW VOLTAGE
(2Y)



LINE

HIGH VOLTAGE
(1Y)



LINE

NOTES:

1. INTERCHANGE ANY TWO LINE LEADS TO REVERSE ROTATION.
2. OPTIONAL THERMOSTATS ARE PROVIDED WHEN SPECIFIED.
3. ACTUAL NUMBER OF INTERNAL PARALLEL CIRCUITS MAY BE A MULTIPLE OF THOSE SHOWN ABOVE.
4. LEAD COLORS ARE OPTIONAL. LEADS MUST ALWAYS BE NUMBERED AS SHOWN.

REV. DESC: REVISE TO SHOW OPTIONAL COLORS			
REV. LTR: E	BY: JLP	REVISED: 01/19/99 10:15	TDR: 0171435
900000		FILE: AAA00005140	MDL: -
		MTL: -	

BALDOR ELECTRIC Co.

3PH, DV, 9 LEADS

CD0005