



BALDOR® • *RELIANCE*

Product Information Packet

CESSWDM23933T

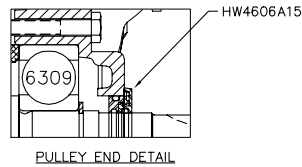
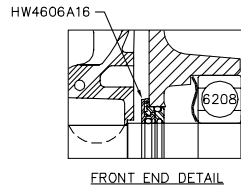
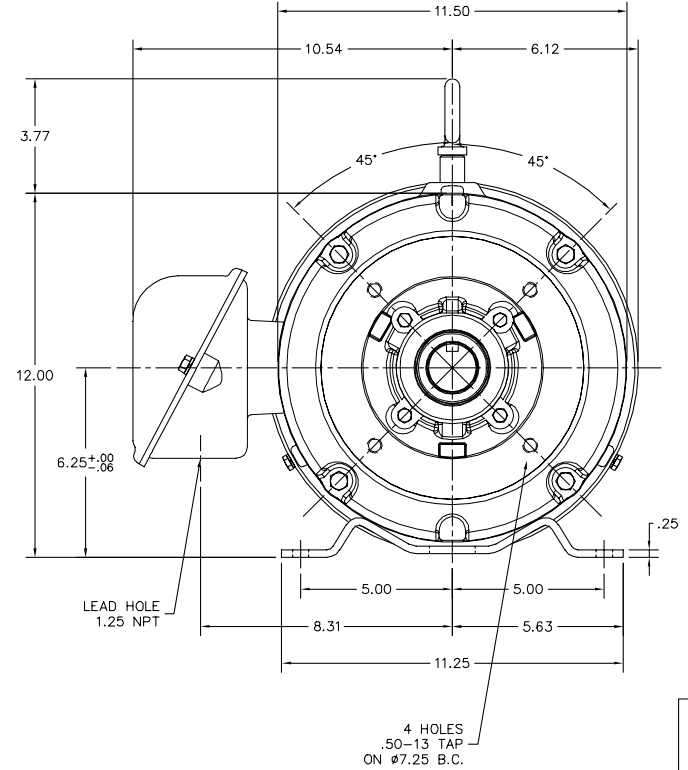
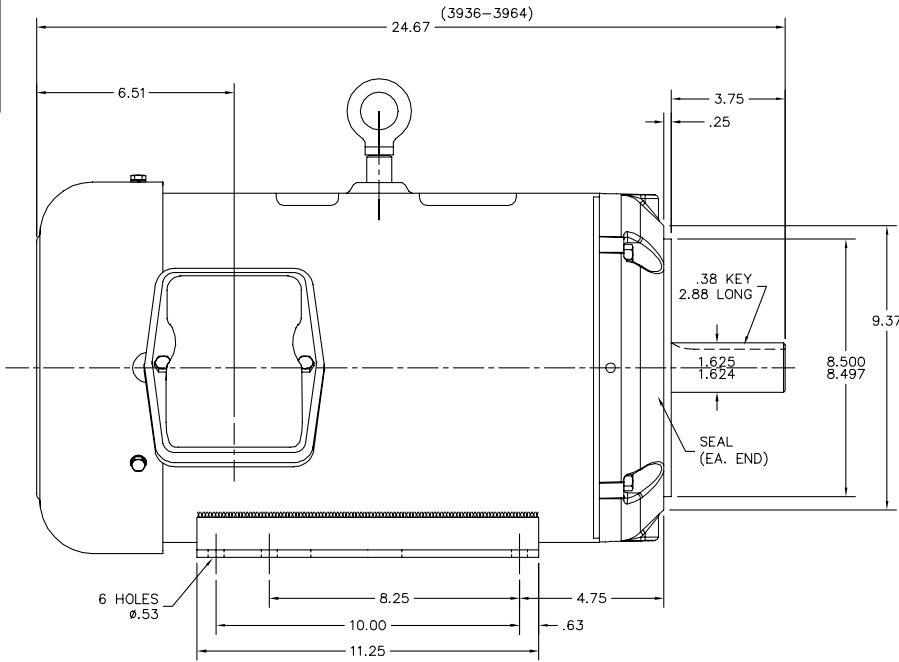
15HP,1765RPM,3PH,60HZ,254TC,3952M,TEFC,F

Product Detail							
Revision:	H	Status:	PRD/A	Change #:		Proprietary:	No
Type:	AC	Prod Type:	3952M	Elec. Spec:	39WGX479	CD Diagram:	CD0005
Enclosure	TEFC	Mfg Plant:		Mech Spec:	39E119	Layout:	39LYE119
Frame:	254TC	Mounting:	F1	Poles:	04	Created Date:	09-11-2006
Base:	RG	Rotation:	R	Insulation:	F	Eff. Date:	07-22-2008
Leads:	9#12	Literature:		Elec. Diagram:		Replaced By:	

Parts List			
Product ID	Description	Quantity	List Price
SA147501	SA 39E119X479H2	1.000	3,029.00
RA136548	RA 39E119X479H2	1.000	2,524.00
S/P101-000-001	EPACT PROC-ZK 250FR, SMALL BOX, POLYREX EM	1.000	
WD1000B16	KPA-4C BURNDY TERMINAL	1.000	4.00
11XW1032S06	10-32 X .38, TAPTITE II, HEX WSHR SLTD U	1.000	3.00
39EP1901A01	S.S. FR ENDPLATE, MACH	1.000	1,156.00
HW5100A08	W3118-035 WVY WSHR (WB)	1.000	2.00
HW4606A16	JM CLIPPER/SEAL (WDE-1575-2125-BG38)	1.000	295.00
39EP1903A01	S.S. C-FACE PU ENDPLATE, MACH	1.000	1,449.00
10XN2520S28	1/4-20X 1 3/4 HEX HD SS X	4.000	1.00
HW4606A15	JM CLIPPER/SEAL (WDE-1688-2250-BG37)	1.000	493.00
XY3816S12	3/8-16 HEX FINISHED NUT SS	8.000	2.00
09FH4014A01	304 S.S. FAN COVER & GRILL W/#4 FINISH	1.000	689.00
10XN2520S08	SCREW, 1/4-20 X 1/2 HHCS SS	3.000	1.00
HW1001S25	WASHER, 1/4 SPLT LK, STAINLESS STEEL	3.000	2.00
09CB1505A01	S.S. LIPPED KOBX	1.000	450.00
12GS1002	GASKET, CONDUIT BOX LID, NEOP	1.000	9.00
10XN3118S12	5/16-18 X 3/4 HEX HEAD CAP, STAINLESS ST	2.000	2.00
HW1001S31	WASHER, 5/16 SPLT LK, STAINLESS STEEL	2.000	2.00
HW2502G25	KEY .375 SQ X 2.88 303SS	1.000	16.00
MJ5001A02	732 CL SEALANT 3 OZ DIXIE BEARING 289100	0.031	23.00
MJ5002A02	NON-CORROSIVE SILICONE, DOW 748, 10.3 OZ	0.031	129.00
LB5040	INSTRUCTION TAG, AC & DC	1.000	2.00
HW4032A01	BLUE DRAIN PLUG FOR WASH DOWN MOTORS	3.000	2.00

Parts List (continued)			
Product ID	Description	Quantity	List Price
MJ1000A02	GREASE, POLYREX EM EXXON	0.030	10.00
HW4032A01	BLUE DRAIN PLUG FOR WASH DOWN MOTORS	3.000	2.00
HA3154S06	THRUBOLT STUD 3/8-16 X 16.875 SS	4.000	43.00
09FN3001C01	EXTERNAL FAN, PLASTIC	1.000	25.00
HW2500S25	USA#1008-WOODRUFF KEY#B STAINLESS:	1.000	89.00
51XB1214A20	12-14X1.25 HXWSSLD SERTYB	1.000	2.00
LB1125C04	STD-E (STOCK CTN LABEL STD-E WITH FLAG)	4.000	2.00
39PA1000	PACKAGING GROUP COMBINED	1.000	134.00

39LYE119



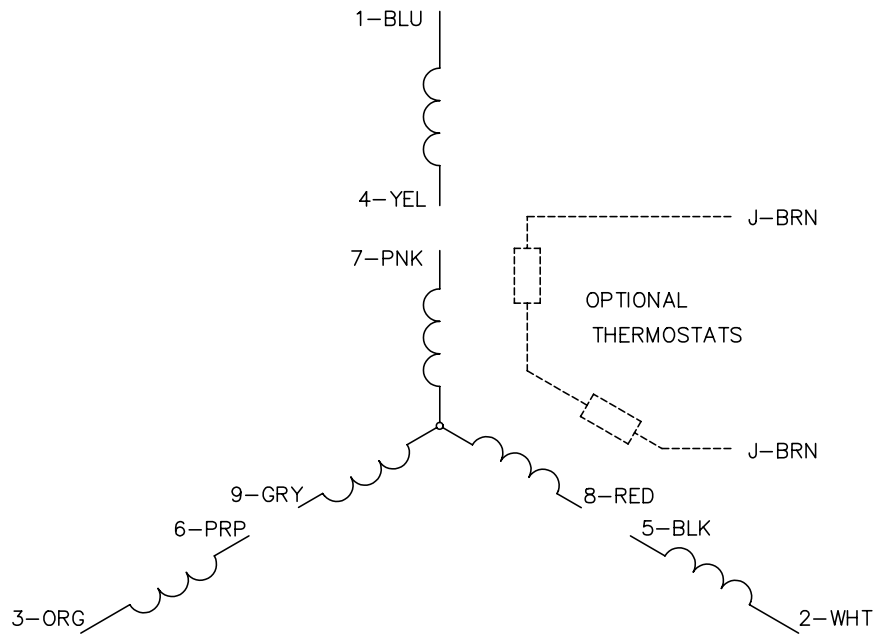
CUSTOMER IS RESPONSIBLE FOR DETERMINING THAT BALDOR'S PRODUCT WILL PERFORM SUITABLY IN THE INTENDED APPLICATION.

REV. DESC: CORRECTED NP LOC & GRAPHICS	VERSION: 05	TDR: 000000479240
REV. LTR: E	REvised: 13:53:28 10/09/2008	BY: ENROBRO
FILE: \AAA\00130\152		
MTL: -		

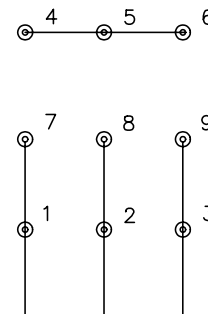
BALDOR • DODGE • RELIANCE
 HORZ TEFC 254-6TC WD (INT.RABT) STAINLESS STEEL BAND
 SH 1 of 1

39LYE119

CD0005

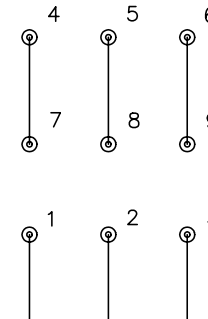


LOW VOLTAGE
(2Y)



LINE

HIGH VOLTAGE
(1Y)



LINE

NOTES:

1. INTERCHANGE ANY TWO LINE LEADS TO REVERSE ROTATION.
2. OPTIONAL THERMOSTATS ARE PROVIDED WHEN SPECIFIED.
3. ACTUAL NUMBER OF INTERNAL PARALLEL CIRCUITS MAY BE A MULTIPLE OF THOSE SHOWN ABOVE.
4. LEAD COLORS ARE OPTIONAL. LEADS MUST ALWAYS BE NUMBERED AS SHOWN.

REV. DESC: REVISE TO SHOW OPTIONAL COLORS			
REV. LTR: E	BY: JLP	REVISED: 01/19/99 10:15	TDR: 0171435
900000		FILE: AAA00005140	MDL: -
		MTL: -	

BALDOR ELECTRIC Co.

3PH, DV, 9 LEADS

CD0005