



BALDOR® • *RELIANCE*

Product Information Packet

CESSWDM3710T

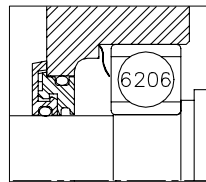
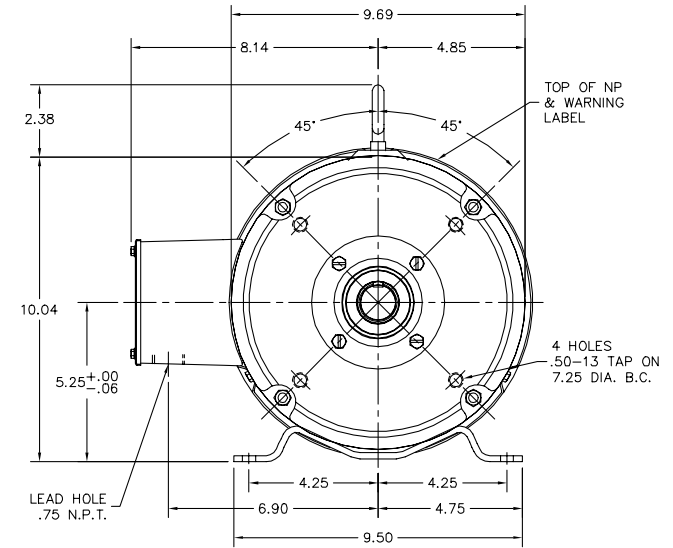
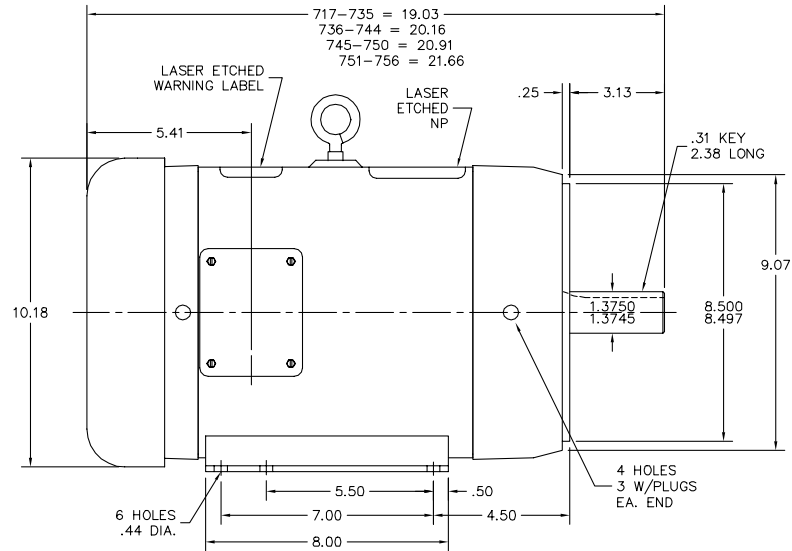
7.5HP,1770RPM,3PH,60HZ,213TC,3739M,TEFC

Product Detail							
Revision:	D	Status:	PRD/A	Change #:		Proprietary:	No
Type:	AC	Prod Type:	3739M	Elec. Spec:	37WGT864	CD Diagram:	CD0005
Enclosure	TEFC	Mfg Plant:		Mech Spec:	37J639	Layout:	37LYJ639
Frame:	213TC	Mounting:	F1	Poles:	04	Created Date:	07-20-2006
Base:	RG	Rotation:	R	Insulation:	F	Eff. Date:	02-08-2008
Leads:	9#14	Literature:		Elec. Diagram:		Replaced By:	

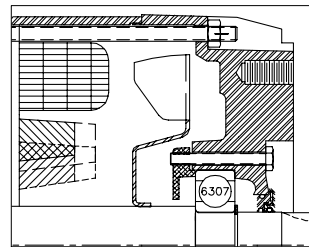
Parts List			
Product ID	Description	Quantity	List Price
SA147567	SA 37J639T864G1	1.000	1,393.00
RA136608	RA 37J639T864G1	1.000	1,161.00
37FN3002B01	EXTERNAL FAN, PLASTIC, 7.50 BLADE, 1.15	1.000	10.00
HW3200S01	EYEBOLT 3/8-16 X3/4 S.S. TDR #35988	1.000	68.00
37CB1004A01	CONDUIT BOX, MACH	1.000	149.00
37GS3011	1/8"WHITE NEOPRENE BOX GS	1.000	5.00
51XW2520A12	.25-20 X .75, TAPTITE II, HEX WSHR SLTD	2.000	2.00
11XW1032G06	10-32 X .38, TAPTITE II, HEX WSHR SLTD U	1.000	3.00
HW3001A01	D3019 BRASS WASHER(STIMP)	1.000	2.00
37FE1907A01	FR ENDPLATE ASSY	1.000	90.00
HW4606A03	JM CLIPPER/SEAL (LWE-1156-1875-AL44)	1.000	41.00
HW5100A06	W2420-025 WVY WSHR (WB)	1.000	2.00
37EP1908A02	PU EP FOR LOCKED 307 BRG	1.000	1,294.00
HW4500A33	1/8 NPT STAINLESS,HOLO-KROME #13002,PRES	3.000	3.00
HW4606A04	JM CLIPPER/SEAL (LWE-1376-2125-AL45)	1.000	43.00
10XN2520S32	1/4-20 X 2 HEX HEAD SS	4.000	2.00
XY3118S12	5/16-18 HEX NUT, STAINLESS STEEL	4.000	2.00
37FH4000A45	STAINLESS FAN COVER, NO GREASER SLOT (FO	1.000	51.00
10XN1032S06	HEX HD CAP SCREW, SS	3.000	2.00
36CB4517	36 LIPPED CB LID #304 STAINLESS STEEL	1.000	10.00
37GS3010SP	1/16"WHITE LID GASKET	1.000	2.00
59XN0832S07	8/32 X 7/16 HX WS HD SER X	4.000	2.00
HW2502F21	#303 SS,SQ KEY 5/16 X 2.375	1.000	6.00
HA7000A02	KEY RETAINER RING, 1 1/8 DIA, 1 3/8 DIA	1.000	2.00

Parts List (continued)			
Product ID	Description	Quantity	List Price
MJ5001A02	732 CL SEALANT 3 OZ DIXIE BEARING 289100	0.001	23.00
MJ1000A02	GREASE, POLYREX EM EXXON	0.050	10.00
51XB1214A20	12-14X1.25 HXWSSLD SERTYB	1.000	2.00
HA3104S30	T-BOLT, .31-18 X 13.875SSTD#100207	4.000	21.00
LB1125C02	SUPER-E (STOCK CTN LABEL SUPER-E WITH FL	1.000	2.00
LB1357	ENERGY GUIDE LABEL (BOX LABEL)	1.000	2.00
37PA1052	PACKAGING GROUP, 150 LB MTR 2 X 4 RUNNER	1.000	48.00

37LYJ639



FRONT END DETAIL



PULLEY END DETAIL

CUSTOMER IS RESPONSIBLE FOR DETERMINING THAT MOTOR PERFORMANCE IS SUITABLE IN THE APPLICATION.

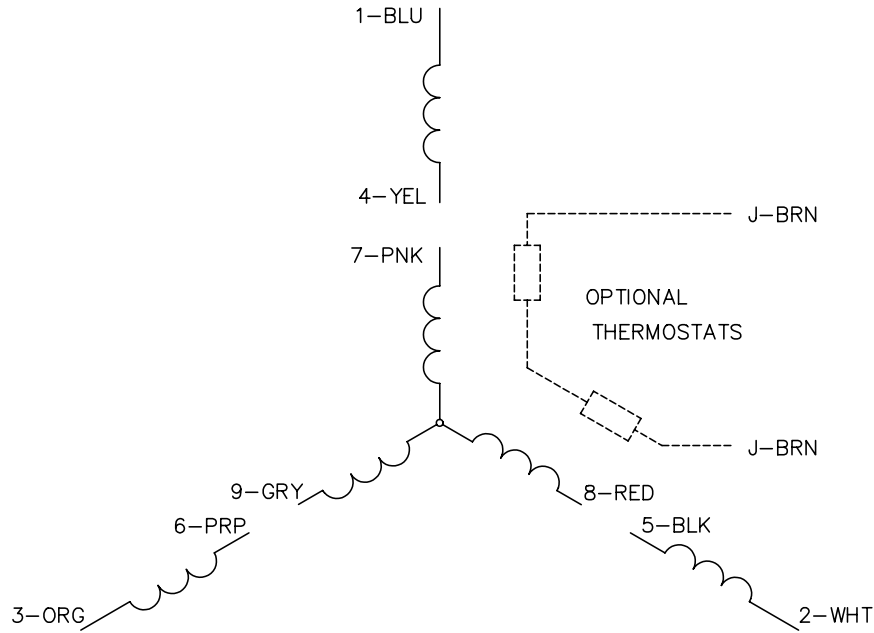
REV. DESC: NEW	VERSION: 00	TDR: 000000402493
REV. LTR: -	REVISED: 12:58:39 07/19/2006	BY: ENBRYPO
FILE: \AAA\00138\592		
MTL: -		

BALDOR ELECTRIC Co.

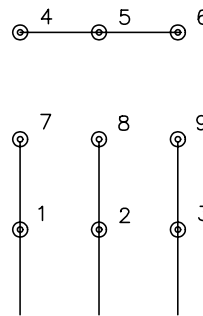
STD HOR 213-5TC TEFC 37M WD4 W/LASER ETCHED BAND

37LYJ639

CD0005

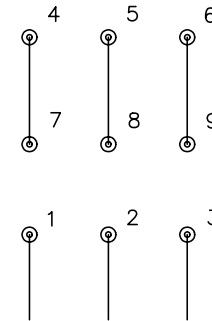


LOW VOLTAGE
(2Y)



LINE

HIGH VOLTAGE
(1Y)



LINE

NOTES:

1. INTERCHANGE ANY TWO LINE LEADS TO REVERSE ROTATION.
2. OPTIONAL THERMOSTATS ARE PROVIDED WHEN SPECIFIED.
3. ACTUAL NUMBER OF INTERNAL PARALLEL CIRCUITS MAY BE A MULTIPLE OF THOSE SHOWN ABOVE.
4. LEAD COLORS ARE OPTIONAL. LEADS MUST ALWAYS BE NUMBERED AS SHOWN.

REV. DESC: REVISE TO SHOW OPTIONAL COLORS			
REV. LTR: E	BY: JLP	REVISED: 01/19/99 10:15	TDR: 0171435
9000D		FILE: AAA00005140	MDL: -
		MTL: -	

BALDOR ELECTRIC Co.

3PH, DV, 9 LEADS

CD0005