



BALDOR® • *RELIANCE*

Product Information Packet

CESWDM3554T

1.5HP,1740RPM,3PH,60HZ,145TC,3532M,TENV

Product Detail							
Revision:	D	Status:	PRD/A	Change #:		Proprietary:	No
Type:	AC	Prod Type:	3532M	Elec. Spec:	35WGR937	CD Diagram:	CD0005
Enclosure	TENV	Mfg Plant:		Mech Spec:	35S621	Layout:	35LYS621
Frame:	145TC	Mounting:	F1	Poles:	04	Created Date:	11-20-2006
Base:	RG	Rotation:	R	Insulation:	F	Eff. Date:	06-04-2008
Leads:	9#18	Literature:		Elec. Diagram:		Replaced By:	

Nameplate NP1669L									
CAT.NO.	CESWDM3554T								
SPEC.	35S621R937G3								
HP	1.5								
VOLTS	230/460								
AMP	4/2								
RPM	1740								
FRAME	145TC	HZ	60	PH	3				
SER.F.	1.15	CODE	L	DES	B	CLASS	F		
NEMA-NOM-EFF	86.5	PF	81						
RATING	40C AMB-CONT								
CC		USABLE AT 208V	4						
DE	6205	ODE	6203						
ENCL	TENV	SN							
BLANK									

Parts List			
Product ID	Description	Quantity	List Price
SA150767	SA 35S621R937G3	1.000	557.00
RA139620	RA 35S621R937G3	1.000	465.00
S/P107-000-001	SUPER E PROC'S-FS & WS PLTS-POLYREX EM G	1.000	
NS2512A01	INSULATOR, CONDUIT BOX X X	1.000	2.00
35CB5001A03	CONDUIT BOX KIT, FOR SUPER II WASHDOWN	1.000	48.00
11XW1032G06	10-32 X .38, TAPTITE II, HEX WSHR SLTD U	1.000	3.00
35EP3100M72MU	SPL FR EP-ENCL-203 BRG-DIE CAST ALUM(BAL	1.000	51.00
HW4500A33	1/8 NPT STAINLESS,HOLO-KROME #13002,PRES	3.000	3.00
HW5100A03SP	WAVY WASHER (W1543-017)	1.000	2.00
35EP3300A75MU	PU E.P., CAST-FACE MTD-56C-205 BRG(BALL	1.000	98.00
HW4500A33	1/8 NPT STAINLESS,HOLO-KROME #13002,PRES	3.000	3.00
HW4606A02	JM CLIPPER/SEAL (LWE-0938-1624-AL23)	1.000	46.00
12XN1032S20	10-32 X 1-1/4 HEX M.S. , STAINLESS STEEL	2.000	3.00
HA1049A01	DUBO LOK WASHER SIZE 10 (NYLON LOCK SEAL	2.000	2.00
HA1049A01	DUBO LOK WASHER SIZE 10 (NYLON LOCK SEAL	4.000	2.00
HW2502D13	SS KEY, 3/16 SQ X 1.375	1.000	2.00
HA7000A01	KEY RETAINER 7/8" DIA SHAFT	1.000	2.00
MJ5001A02	732 CL SEALANT 3 OZ DIXIE BEARING 289100	0.001	23.00
10XF0440S02	04-40 X 1/8 TYPE F HEX HD STAINLESS STIC	2.000	2.00
LB1164	LABEL,WARNING AND DRAIN F/HOSE DOWN	1.000	2.00
MJ1000A02	GREASE, POLYREX EM EXXON	0.050	10.00
HA3100S25	THRUBOLT 10-32 X 9.500 SS TDR #23687	4.000	7.00
LB1125C02	SUPER-E (STOCK CTN LABEL SUPER-E WITH FL	1.000	2.00
LC0005	CONN.DIA.,TYPE M,9-LD,DUAL VOLTAGE,REVER	1.000	2.00

Parts List (continued)			
Product ID	Description	Quantity	List Price
LB1357	ENERGY GUIDE LABEL (BOX LABEL)	1.000	2.00
NP1669L	WASHDOWN SUPER-E NP W/O THRM W/UL & CSA	1.000	
PA1000	PACKING GROUP 3500 SHORT	1.000	8.00

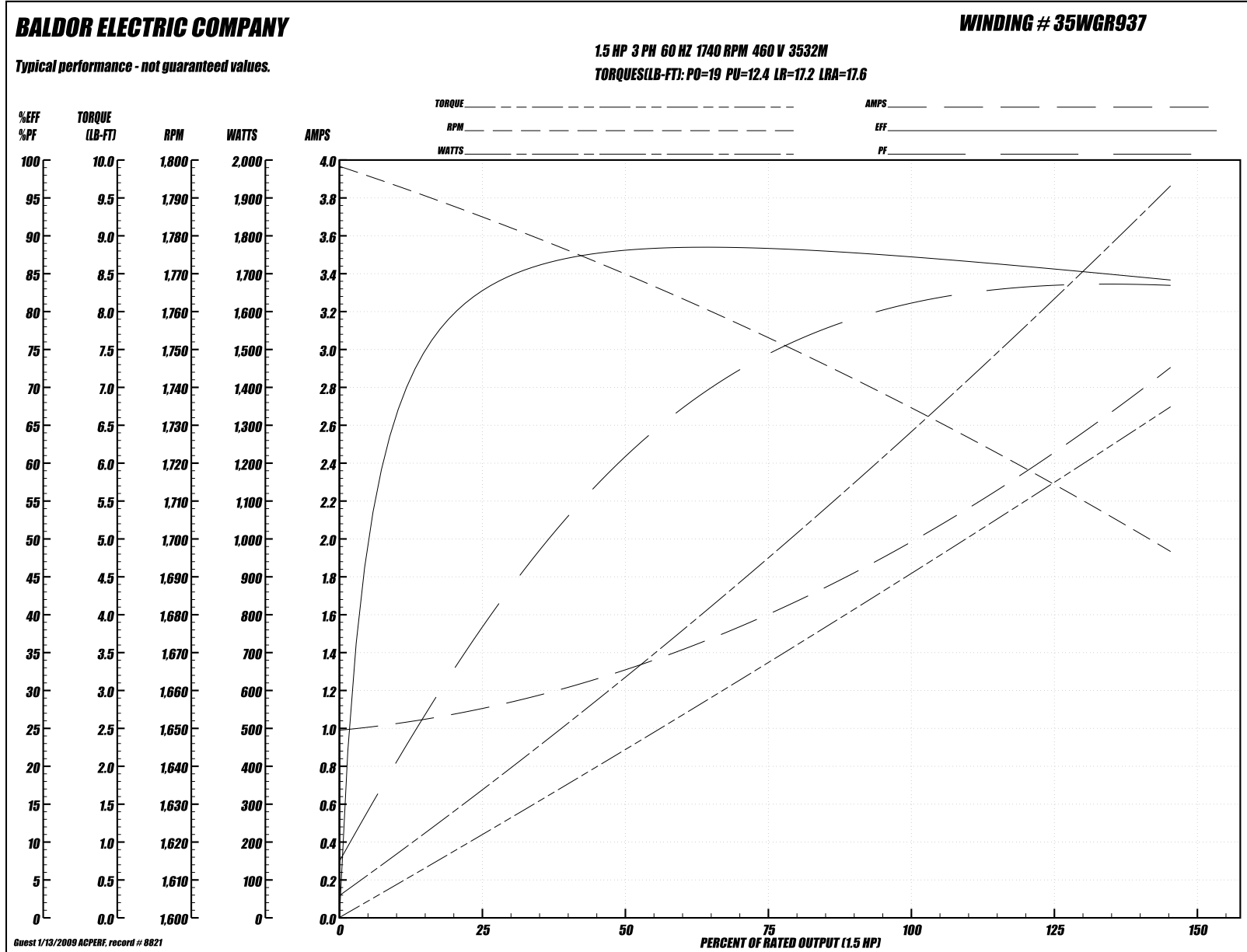
Performance Data at 460V, 60Hz, 1.5HP (Typical performance - Not guaranteed values)
General Characteristics

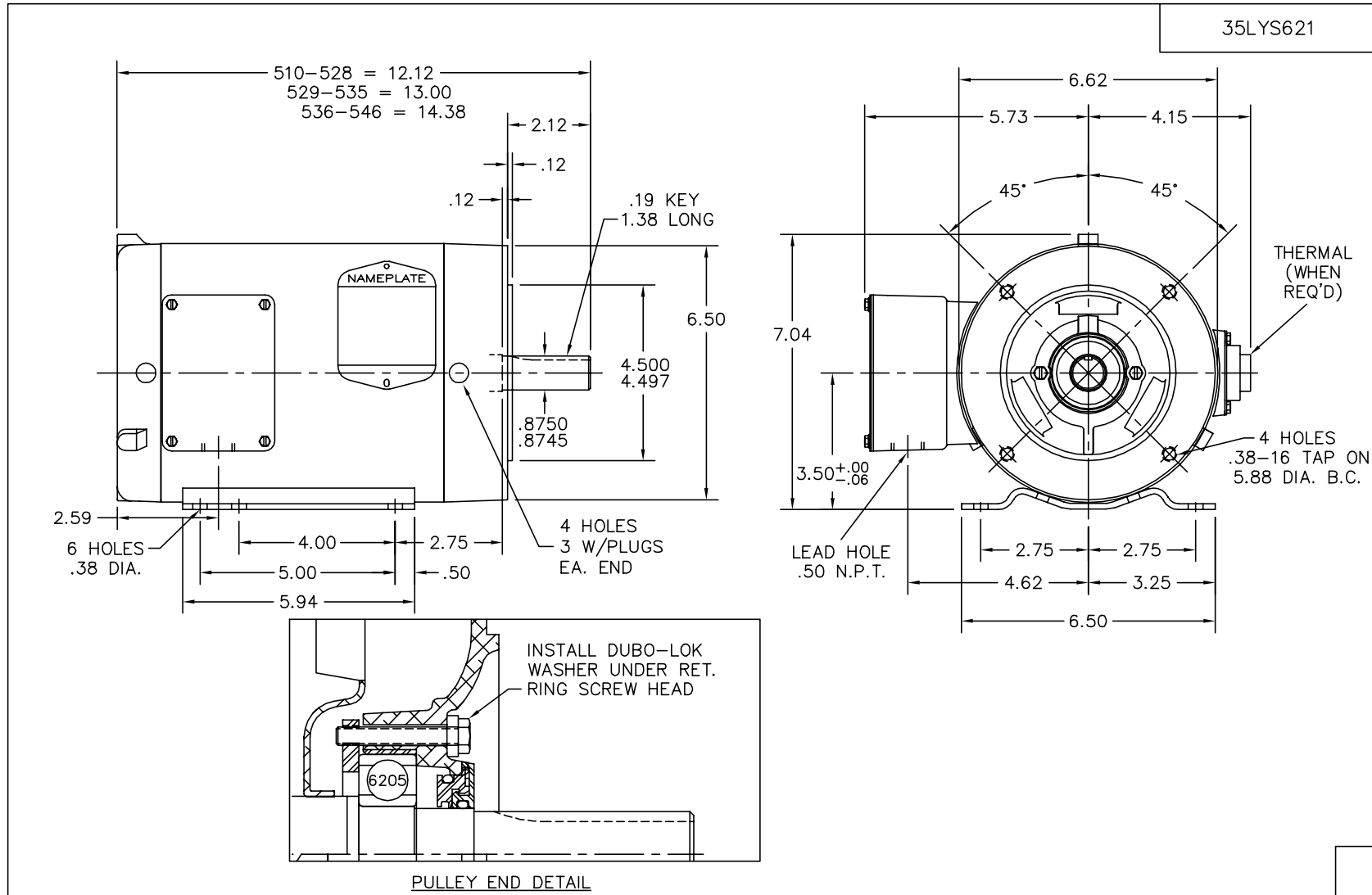
Full Load Torque:	4.5 LB-FT	Start Configuration:	DOL
No-Load Current:	1.0 Amps	Break-Down Torque:	19.0 LB-FT
Line-line Res. @ 25°C.:	9.5 Ohms A Ph / 0.0 Ohms B Ph	Pull-Up Torque:	12.4 LB-FT
Temp. Rise @ Rated Load:	95°C	Locked-Rotor Torque:	17.2 LB-FT
Temp. Rise @ S.F. Load:	115°C	Starting Current:	17.6 Amps

Load Characteristics

% of Rated Load:	25	50	75	100	125	150	S.F.
Power Factor:	38.0	61.0	74.0	81.0	85.0	87.0	83.0
Efficiency:	82.5	87.7	88.3	87.5	86.0	84.0	86.6
Speed:	1784.0	1769.0	1753.0	1736.0	1717.0	1696.0	1725.0
Line Amperes:	1.1	1.3	1.6	2.0	2.4	2.9	2.2

Performance Graph at 460V, 60Hz, 1.5HP (Typical performance - Not guaranteed values)





CUSTOMER IS RESPONSIBLE FOR DETERMINING THAT MOTOR PERFORMANCE IS SUITABLE IN THE APPLICATION.

REV. DESC: UPDATE LAYOUT PER BOM, FREP

REV. LTR: B

VERSION: 02

TDR: 000000460581

BALDOR • DODGE • RELIANCE

1Z9SA17C

FILE: \AAA\00093\169

REVISED: 12:48:50 03/27/2008

HORZ 143-5TC TENV 35M WD2 (PAINT FREE)

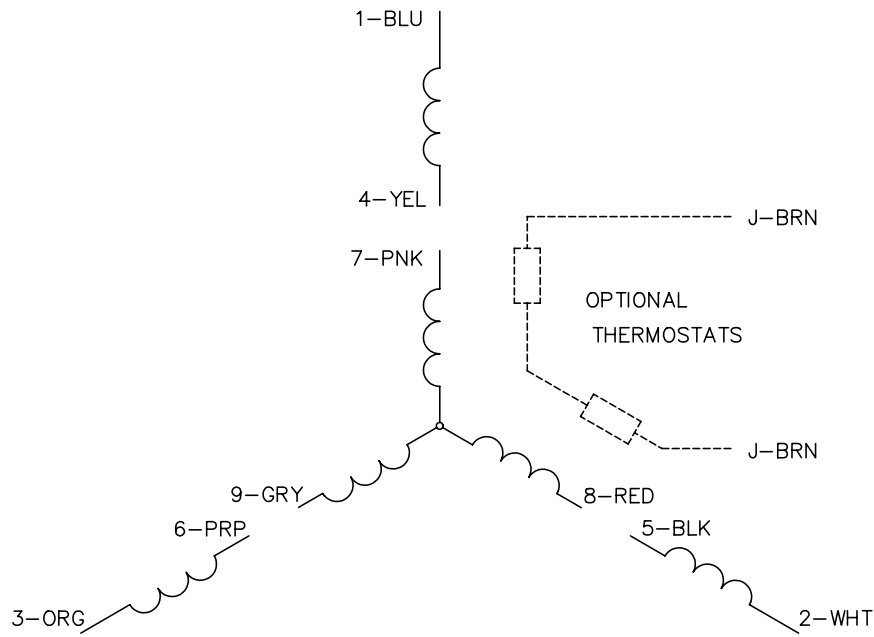
MTL: -

BY: ENODIDO

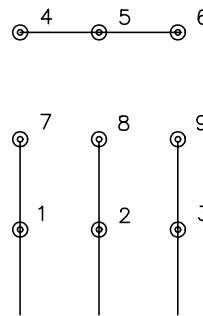
SH 1 of 1

35LYS621

CD0005

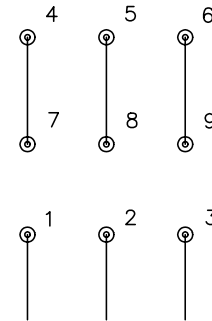


LOW VOLTAGE
(2Y)



LINE

HIGH VOLTAGE
(1Y)



LINE

NOTES:

1. INTERCHANGE ANY TWO LINE LEADS TO REVERSE ROTATION.
2. OPTIONAL THERMOSTATS ARE PROVIDED WHEN SPECIFIED.
3. ACTUAL NUMBER OF INTERNAL PARALLEL CIRCUITS MAY BE A MULTIPLE OF THOSE SHOWN ABOVE.
4. LEAD COLORS ARE OPTIONAL. LEADS MUST ALWAYS BE NUMBERED AS SHOWN.

REV. DESC: REVISE TO SHOW OPTIONAL COLORS			
REV. LTR: E	BY: JLP	REVISED: 01/19/99 10:15	TDR: 0171435
900000		FILE: AAA00005140	MDL: -
		MTL: -	

BALDOR ELECTRIC Co.

3PH, DV, 9 LEADS

CD0005