



BALDOR® • *RELIANCE*

Product Information Packet

CHC244A

.33HP,1700RPM,1PH,60HZ,48Z,1714C,TEAO,F1

Product Detail							
Revision:	U	Status:	PRD/A	Change #:		Proprietary:	No
Type:	AC	Prod Type:	1714C	Elec. Spec:	17WGW389	CD Diagram:	CD0804
Enclosure	TEAO	Mfg Plant:		Mech Spec:	17K043	Layout:	17LYK043
Frame:	48Z	Mounting:	F1	Poles:	04	Created Date:	
Base:	RS	Rotation:	RS	Insulation:	B	Eff. Date:	10-20-2008
Leads:	7#18	Literature:		Elec. Diagram:		Replaced By:	

Nameplate NP1203A01

CAT.NO.	CHC244A	ENCL	TEAO
SPEC.	17K043W389	FRAME	48Z
HP	.33 AIR OVER		
VOLTS	115/230		
AMPS	4.2/2.1		
RPM	1700		
HZ	60	PH	1
SER.F.	1.15	DES	-
FL EFF	62	PF	
RATING	40C AMB-CONT		
SF AMP		USABLE AT 208V	2.2
SER.			
MANUAL	N	AUTO	Y
BLANK			NONE

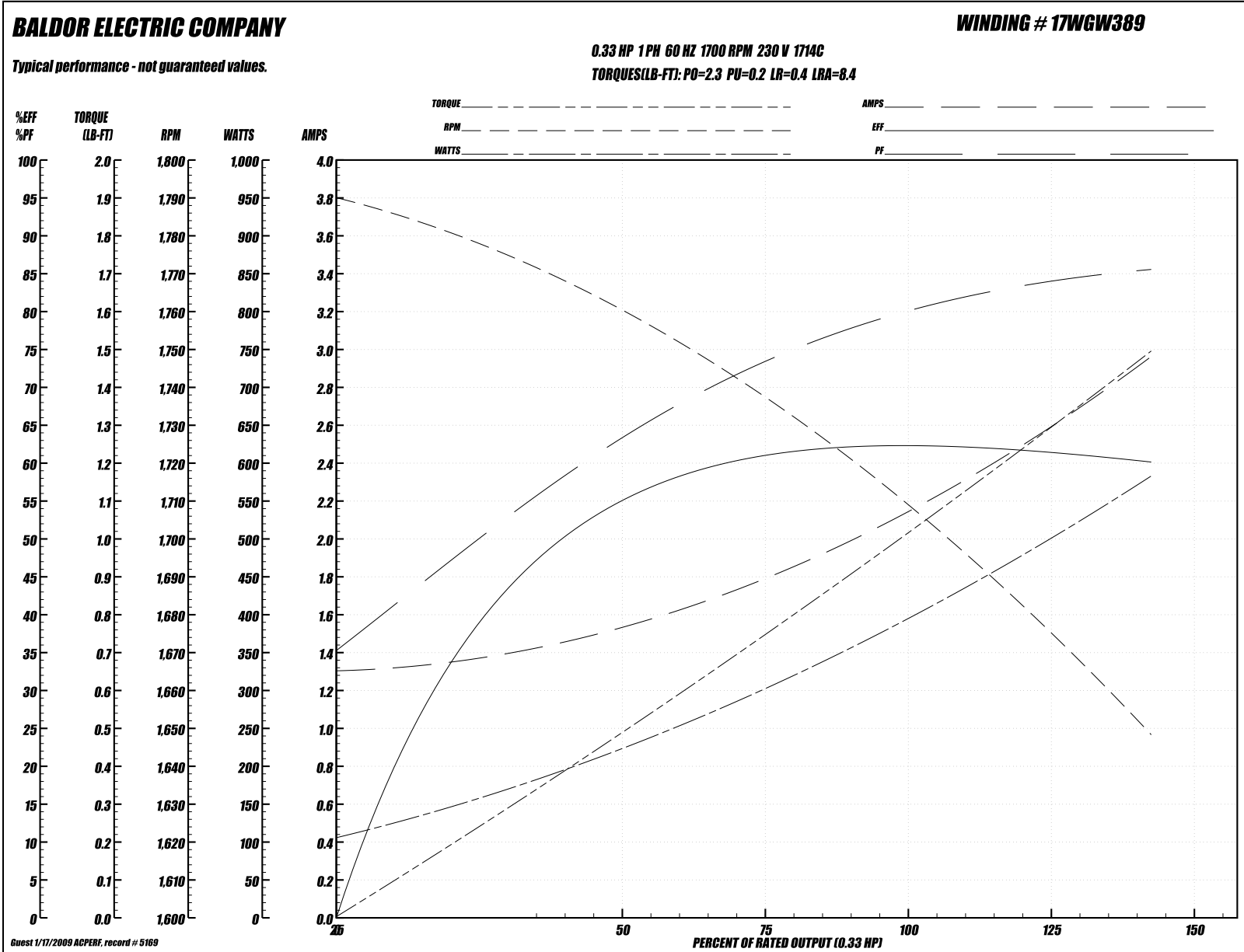
Parts List			
Product ID	Description	Quantity	List Price
SA070521	SA 17K043W389	1.000	133.00
RA064410	RA 17K043W389	1.000	111.00
OC3015C08	CYL OIL CAP M23P2415M00 15 MFD/240V 1 1	1.000	30.00
TB0167A02	6 POS SHORT FOOT 300 SERIES (27-20 AWG)	1.000	5.00
WD1540A03	TERMINAL, 187 SERIES 300 SERIES MAG-MATE	4.000	2.00
WD1540A04	TERMINAL, 187 SERIES 300 SERIES MAG-MATE	2.000	2.00
WD4100A49	CAPLUG,BP-13/16,PLUG W/RECESSED HEAD	1.000	2.00
11XT0832G06	8-32 X 3/8 TY 23 TAP GRN. X	1.000	3.00
LD5000A52	LEAD ASSY W/INTERNAL STAR RING TERMINALS	1.000	5.00
11XT1032A06	10-32 X 3/8 HX WSHR HD SLTD TYPE 23	2.000	3.00
51XW0832A07	8-32 X .44, TAPTITE II, HEX WSHR SLTD SE	4.000	2.00
RM1000A03SP	CUSHION RING, MDL 17-33-34	1.000	7.00
HA6004A01A	CLAMP CUSHION RING ASSY	1.000	4.00
33CB4800A02	CAPACITOR COVER, STAMPED	1.000	3.00
35GS3001A02	GASKET, CA.COVER, 5.38 LONG .06 CS301	1.000	4.00
34GS5003	FOAM SLEEVE, ID = 2 1/16" X 3 3/8"	1.000	2.00
51XB1016A05	10-16X5/16HX WA SL SR TYB (F/S)	2.000	2.00
HW5100A03SP	WAVY WASHER (W1543-017)	1.000	2.00
17EP3100D01	PU ENDPLATE, MACH W/HUB ENCLOSED	1.000	17.00
XY0832A02	8-32 HEX NUT	4.000	2.00
RM1000A03SP	CUSHION RING, MDL 17-33-34	1.000	7.00
HA6004A01A	CLAMP CUSHION RING ASSY	1.000	4.00
34CB4501SP	TERMINAL BOX LID, STAMPED X (PLATED)	1.000	20.00
34GS1005	GASKET, TERM PLATE LID	1.000	2.00

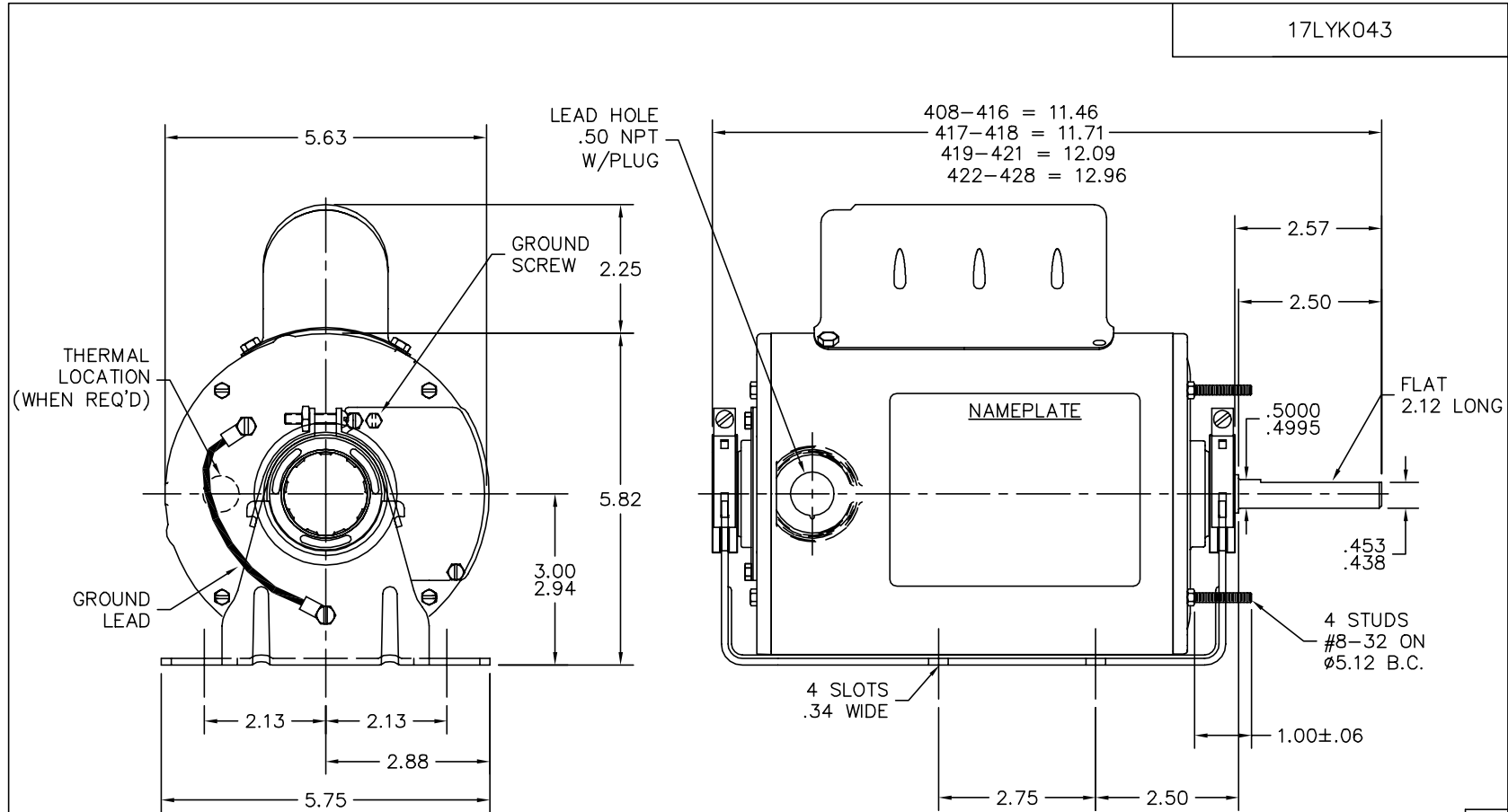
Parts List (continued)			
Product ID	Description	Quantity	List Price
51XW0832A07	8-32 X .44, TAPTITE II, HEX WSHR SLTD SE	2.000	2.00
17EP3200DT01	FR ENDPLATE, MACH W/HUB	1.000	17.00
SP5126	MDL 17L TERM PANEL 3 PH W/TABS & 3/4 THE	1.000	26.00
34BA4001A01A	RESILIENT BASE, 408-416 AUTOPHORETIC	1.000	56.00
HA3169A23	THRUBOLT #8-32 THDS X 8.44 LONG	4.000	2.00
LB1125A01SP	STOCK MTR CARTON LABEL LASER PRINTER	1.000	3.00
LB5040	INSTRUCTION TAG, AC & DC	1.000	2.00
NP1203A01	NP LABEL 1PH, DV, REV (FOR COMMERCIAL MO	1.000	
34PA1002	PACKING GROUP, BALDOR	1.000	13.00
LD5000A102	LEAD ASSY, 16 GA, RED, #8, W/FLAG TERMS	1.000	2.00
LD53517	LEAD ASSY. MAG MATE	1.000	30.00

Performance Data at 230V, 60Hz, 0.33HP (Typical performance - Not guaranteed values)

General Characteristics							
Full Load Torque:	1.0 LB-FT			Start Configuration:	DOL		
No-Load Current:	1.3 Amps			Break-Down Torque:	2.3 LB-FT		
Line-line Res. @ 25°C.:	9.73 Ohms A Ph / 11.9 Ohms B Ph			Pull-Up Torque:	0.2 LB-FT		
Temp. Rise @ Rated Load:	50°C			Locked-Rotor Torque:	0.4 LB-FT		
Temp. Rise @ S.F. Load:	0°C			Starting Current:	8.4 Amps		
Load Characteristics							
% of Rated Load:	25	50	75	100	125	150	S.F.
Power Factor:	51.0	64.0	73.0	80.0	84.0	87.0	0.0
Efficiency:	38.8	54.6	60.7	63.1	62.5	59.5	0.0
Speed:	1776.0	1757.0	1737.0	1714.0	1682.0	1646.0	0.0
Line Amperes:	1.37	1.55	1.81	2.11	2.5	2.98	2.34

Performance Graph at 230V, 60Hz, 0.33HP (Typical performance - Not guaranteed values)





CUSTOMER IS RESPONSIBLE FOR DETERMINING THAT BALDOR'S PRODUCT WILL PERFORM SUITABLY IN THE INTENDED APPLICATION.

REV. DESC: SB WAS 17SB0041 (SEE ZTR02 NOTES)

REV. LTR: B

VERSION: 02

TDR: 000000472601

FILE: \AAA\00082\635

REVISED: 14:10:55 08/11/2008

MTL: -

BY: ENBENBO

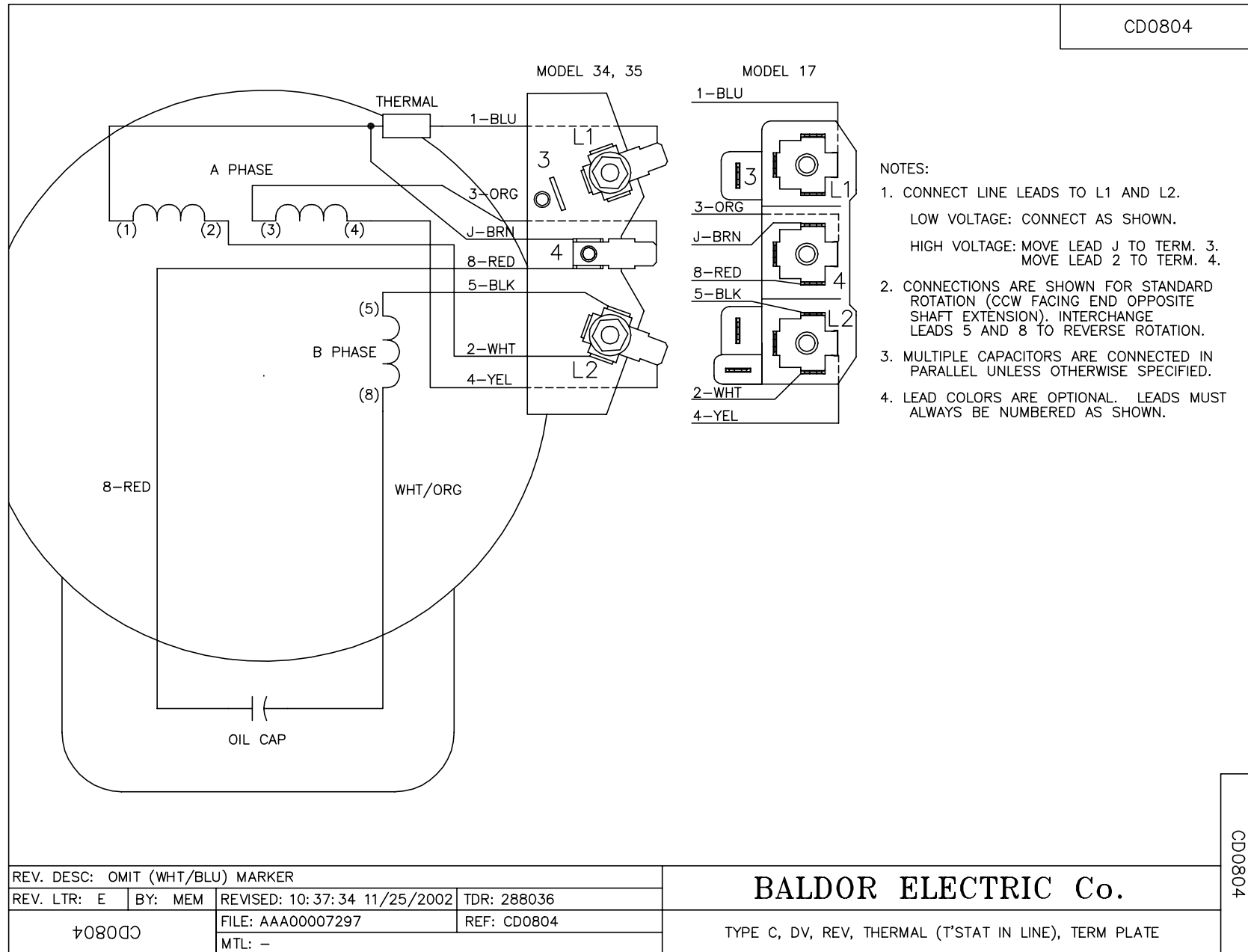
BALDOR • DODGE • RELIANCE

RESIL 17C NEMA 48Z TEAO W/EXT T'BOLTS & V=2.50

SH 1 of 1

17LYK043

CD0804



CD0804

REV. DESC: OMIT (WHT/BLU) MARKER			
REV. LTR: E	BY: MEM	REVISED: 10:37:34 11/25/2002	TDR: 288036
FILE: AAA00007297		REF: CD0804	
MTL: -			

BALDOR ELECTRIC Co.

TYPE C, DV, REV, THERMAL (T'STAT IN LINE), TERM PLATE

CD0804