



BALDOR® • *RELIANCE*

Product Information Packet

CHC345A

.5HP,1700RPM,1PH,60HZ,56,1720C,TEAO,F1

Product Detail									
Revision:	R	Status:	PRD/A	Change #:		Proprietary:	No		
Type:	AC	Prod Type:	1720C	Elec. Spec:	17WG388	CD Diagram:	CD0381		
Enclosure	TEAO	Mfg Plant:		Mech Spec:	17K045	Layout:	17LYK045		
Frame:	56	Mounting:	F1	Poles:	04	Created Date:			
Base:	RS	Rotation:	RS	Insulation:	B	Eff. Date:	10-23-2008		
Leads:	7#18	Literature:		Elec. Diagram:		Replaced By:			
Nameplate NP1203A01									
CAT.NO.	CHC345A			ENCL	TEAO				
SPEC.	17K045W388			FRAME	56				
HP	.5 AIR OVER								
VOLTS	115/230								
AMPS	5.8/2.9								
RPM	1700								
HZ	60	PH	1			CL	B		
SER.F.	1.15	DES	-			CODE	H		
FL EFF	66.6	PF							
RATING	40C AMB-CONT								
SF AMP					USABLE AT 208V	3.4			
SER.									
MANUAL	N	AUTO	Y			NONE	N		
BLANK									

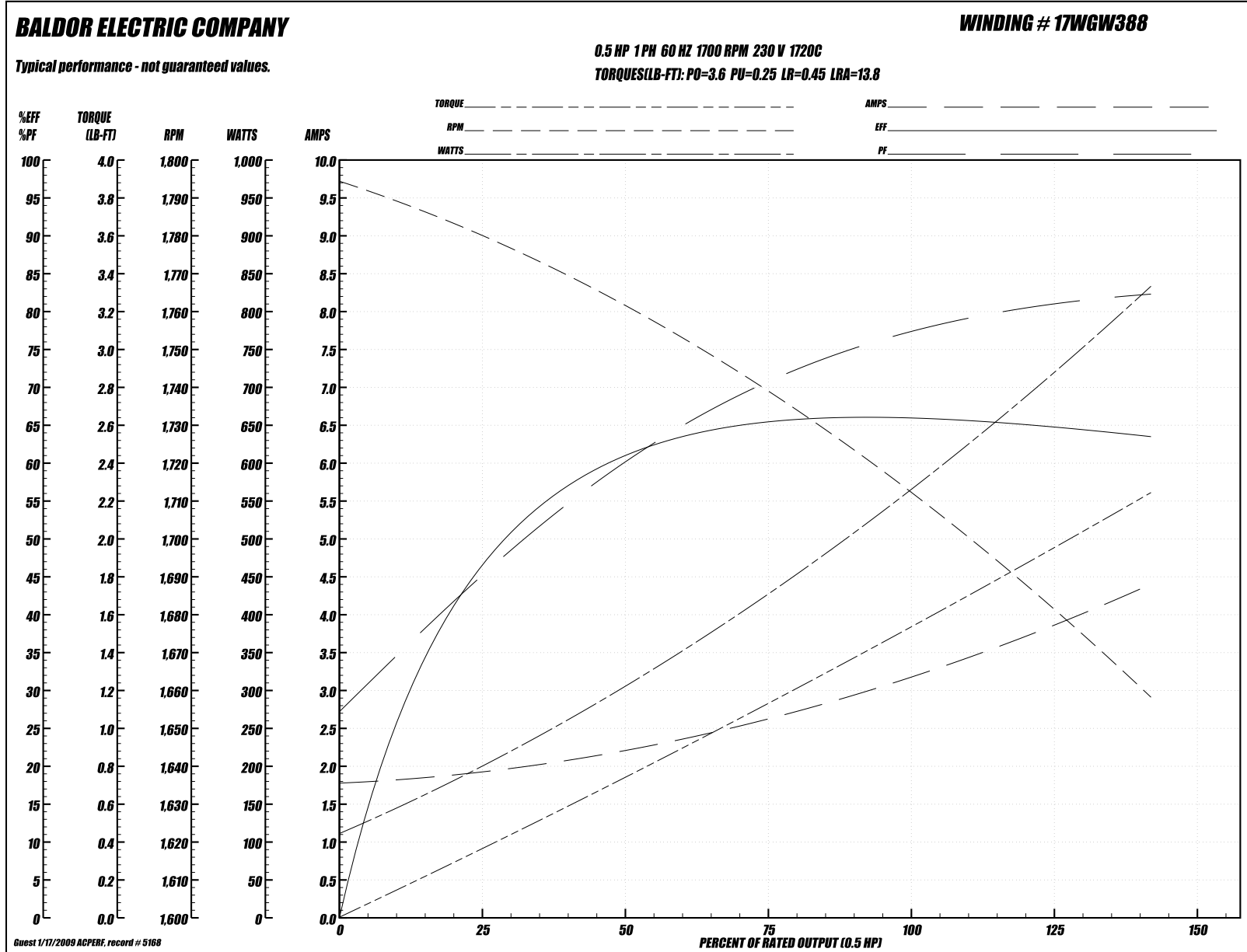
Parts List			
Product ID	Description	Quantity	List Price
SA070724	SA 17K045W388	1.000	157.00
RA064609	RA 17K045W388	1.000	131.00
OC3020F12SP	CYL OIL CAP 20MFD/370V	1.000	24.00
TPMRJ57RX	THERMAL 1PH 0.75 AUT 120C	1.000	31.00
TB0167A01	6 POS SHORT FOOT 300&500 SERIES (27-20,2	1.000	5.00
WD1540A01	TERMINAL, 187 SERIES 500 SERIES MAG-MATE	4.000	2.00
WD1540A03	TERMINAL, 187 SERIES 300 SERIES MAG-MATE	2.000	2.00
WD4100A49	CAPLUG,BP-13/16,PLUG W/RECESSED HEAD	1.000	2.00
11XT0832G06	8-32 X 3/8 TY 23 TAP GRN. X	1.000	3.00
LD5000A52	LEAD ASSY W/INTERNAL STAR RING TERMINALS	1.000	5.00
11XT1032A06	10-32 X 3/8 HX WSHR HD SLTD TYPE 23	2.000	3.00
51XW0832A07	8-32 X .44, TAPTITE II, HEX WSHR SLTD SE	4.000	2.00
RM1000A03SP	CUSHION RING, MDL 17-33-34	1.000	7.00
HA6004A01A	CLAMP CUSHION RING ASSY	1.000	4.00
33CB4800A02	CAPACITOR COVER, STAMPED	1.000	3.00
35GS3001A02	GASKET, CA.COVER, 5.38 LONG .06 CS301	1.000	4.00
51XB1016A05	10-16X5/16HX WA SL SR TYB (F/S)	2.000	2.00
WD1000A16	2-520128-2 AMP FLAG TERMINAL(4M/RL)	1.000	823.00
HW5100A03SP	WAVY WASHER (W1543-017)	1.000	2.00
17EP3100D01	PU ENDPLATE, MACH W/HUB ENCLOSED	1.000	17.00
XY0832A02	8-32 HEX NUT	4.000	2.00
RM1000A03SP	CUSHION RING, MDL 17-33-34	1.000	7.00
HA6004A01A	CLAMP CUSHION RING ASSY	1.000	4.00
34CB4501SP	TERMINAL BOX LID, STAMPED X (PLATED)	1.000	20.00

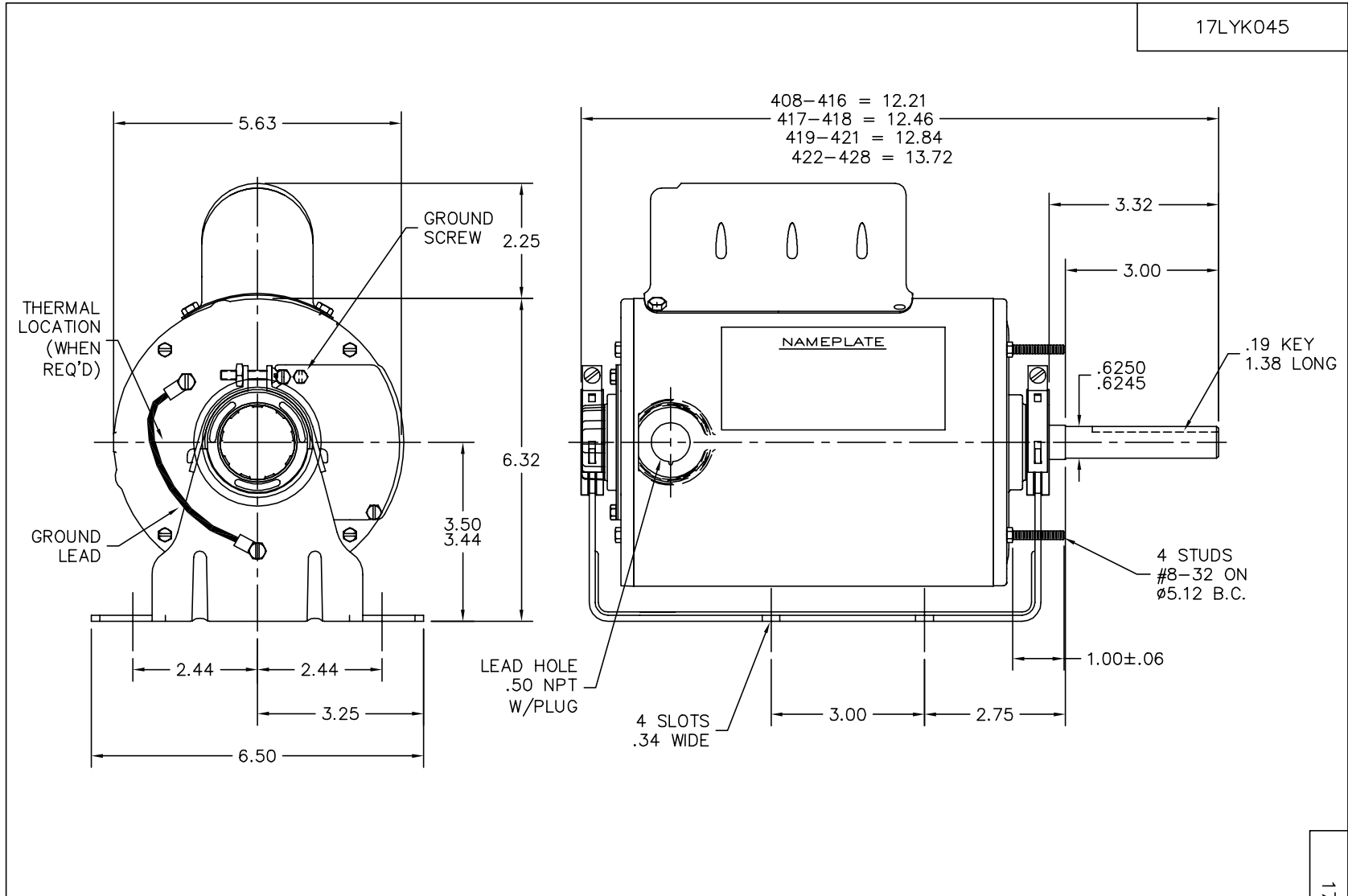
Parts List (continued)			
Product ID	Description	Quantity	List Price
34GS1005	GASKET, TERM PLATE LID	1.000	2.00
51XW0832A07	8-32 X .44, TAPTITE II, HEX WSHR SLTD SE	2.000	2.00
HW2501D13SP	KEY, 3/16 SQ X 1.375	1.000	2.00
HA7000A04	KEY RETAINER 0.625 DIA SHAFTS	1.000	2.00
17EP3200DT01	FR ENDPLATE, MACH W/HUB	1.000	17.00
NS2500A01	INSULATOR, AUTO THER PROT	1.000	2.00
SP5126	MDL 17L TERM PANEL 3 PH W/TABS & 3/4 THE	1.000	26.00
34BA4003J01A	RESILIENT BASE, MODEL 34 NEMA 56 AUTOPHO	1.000	46.00
HA3169A08	THRUBOLT #8-32 THDS X 9.062" LONG	4.000	3.00
LB1125A01SP	STOCK MTR CARTON LABEL LASER PRINTER	1.000	3.00
LB5040	INSTRUCTION TAG, AC & DC	1.000	2.00
NP1203A01	NP LABEL 1PH, DV, REV (FOR COMMERCIAL MO	1.000	
34PA1005	PACKING GROUP, BALDOR	1.000	10.00
LD5317A01	LD ASSY, ML14-JH16, 7.5", W/(1)WD1000A15	1.000	2.00
LD5318A01	LD ASSY, ML14-1E16, 6", W/(1) WD1000A15	1.000	9.00
LD53425	LEAD ASSY. MAG MATE	1.000	29.00

Performance Data at 230V, 60Hz, 0.5HP (Typical performance - Not guaranteed values)

General Characteristics							
Full Load Torque:	1.5 LB-FT			Start Configuration:	DOL		
No-Load Current:	1.8 Amps			Break-Down Torque:	3.6 LB-FT		
Line-line Res. @ 25°C.:	5.22 Ohms A Ph / 9.57 Ohms B Ph			Pull-Up Torque:	0.25 LB-FT		
Temp. Rise @ Rated Load:	71°C			Locked-Rotor Torque:	0.45 LB-FT		
Temp. Rise @ S.F. Load:	0°C			Starting Current:	13.8 Amps		
Load Characteristics							
% of Rated Load:	25	50	75	100	125	150	S.F.
Power Factor:	47.0	62.0	72.0	79.0	82.0	85.0	0.0
Efficiency:	46.5	60.1	65.3	66.6	65.6	63.1	0.0
Speed:	1778.0	1760.0	1740.0	1715.0	1690.0	1656.0	0.0
Line Amperes:	1.9	2.2	2.6	3.2	3.7	4.4	3.5

Performance Graph at 230V, 60Hz, 0.5HP (Typical performance - Not guaranteed values)





CUSTOMER IS RESPONSIBLE FOR DETERMINING THAT MOTOR PERFORMANCE IS SUITABLE IN THE APPLICATION.

REV. DESC: CHANGED TITLE BLOCK TO READ 56 PER J. MALINOWSKI		
REV. LTR: A	VERSION: 01	TDR: 000000398838
17LYK045	FILE: \AAA\00082\676	REVISED: 08:34:48 06/08/2006
	MTL: -	BY: ENTERDO

BALDOR ELECTRIC Co.
RESIL 17C NEMA 56 TEAO W/EXT T'BOLTS & "V" = 3.00

17LYK045

