



BALDOR® • *RELIANCE*

Product Information Packet

CJL1205A

.33HP,3450RPM,1PH,60HZ,56J,3416L,OPEN,F1

Product Detail									
Revision:	P	Status:	PRD/A	Change #:		Proprietary:	No		
Type:	AC	Prod Type:	3416L	Elec. Spec:	34WG2534	CD Diagram:	CD0307		
Enclosure	OPEN	Mfg Plant:		Mech Spec:	34F040	Layout:	34LYF040		
Frame:	56J	Mounting:	F1	Poles:	02	Created Date:			
Base:	RG	Rotation:	FOS	Insulation:	B	Eff. Date:	10-04-2006		
Leads:	5#18,1#16	Literature:		Elec. Diagram:		Replaced By:			
Nameplate NP1257L									
CAT.NO.	CJL1205A								
SPEC.	34F40-2534								
HP	.33								
VOLTS	115/230								
AMP	6.2/3.1								
RPM	3450								
FRAME	56J	HZ			60	PH	1		
SER.F.	1.75	CODE			L	DES	N	CL	B
NEMA-NOM-EFF	58	PF			61				
RATING	40C AMB-CONT								
CC				USABLE AT 208V					
DE	6203	ODE			6203				
ENCL	OPEN	SN							
	SFA 7.6/3.8								

Parts List			
Product ID	Description	Quantity	List Price
SA005865	SA 34F40-2534	1.000	126.00
RA002611	RA 34F40-2534	1.000	106.00
EC1130A02SP	ELEC CAP 115V 1.4 X 3.3 X	1.000	14.00
WD4100A01	DP-875 HEYCO PLUG OR 62MP0875 MICRO PLAS	1.000	2.00
34CB4501SP	TERMINAL BOX LID, STAMPED X (PLATED)	1.000	20.00
51XW0832A07	8-32 X .44, TAPTITE II, HEX WSHR SLTD SE	2.000	2.00
11XT0832G06	8-32 X 3/8 TY 23 TAP GRN. X	1.000	3.00
51XW0832A07	8-32 X .44, TAPTITE II, HEX WSHR SLTD SE	3.000	2.00
34EP3202A20	FR ENDPLATE, 34 OPEN SMALL HUB RESIL LES	1.000	34.00
WD4100A04	62MP0687 HOLE PLUG OR DP-687 HEYCO	1.000	2.00
NS2500A01	INSULATOR, AUTO THER PROT	1.000	2.00
34CB4800SP	CAPACITOR COVER, STAMPED X X	1.000	20.00
51XB1016A05	10-16X5/16HX WA SL SR TYB (F/S)	2.000	2.00
HW5100A03SP	WAVY WASHER (W1543-017)	1.000	2.00
34EP3401A01SP	PU ENDPLATE, MACH	1.000	63.00
34AD2000	BAFFLE PLATE, STAMPED	1.000	2.00
51XT0632A06	6-32X3/8 TY23 HXWS SLDSR	4.000	2.00
51XN1032A20	10-32 X 1 1/4 HX WS SL SR	2.000	2.00
RM1010A01	35-968-1 VINYL CLS	1.000	2.00
MG1000G27	PAINT- S9282E CHARCOAL GREY	0.014	4,000.00
LB1009	LABEL, ROTATION DIRECTION (ON ROLLS)	1.000	2.00
10XF0440S02	04-40 X 1/8 TYPE F HEX HD STAINLESS STIC	2.000	2.00
SP5068A01	34L TERM PANEL STAT SWITCH #E-6"	1.000	27.00
HA3100A14	THRUBOLT 10-32 X 7.875	4.000	4.00

Parts List (continued)			
Product ID	Description	Quantity	List Price
LB1118	LABEL,WARNING (ROLL LABEL)	1.000	2.00
LB1125C01	STD (STOCK) CARTON LABEL BALDOR WITH FLA	1.000	2.00
LC0307	CONNECTION LABEL NAMEPLA. X	1.000	2.00
NP1257L	NP STD LASER ENGRAVED THERMAL PROTECTED,	1.000	25.00
34PA1005	PACKING GROUP, BALDOR	1.000	10.00

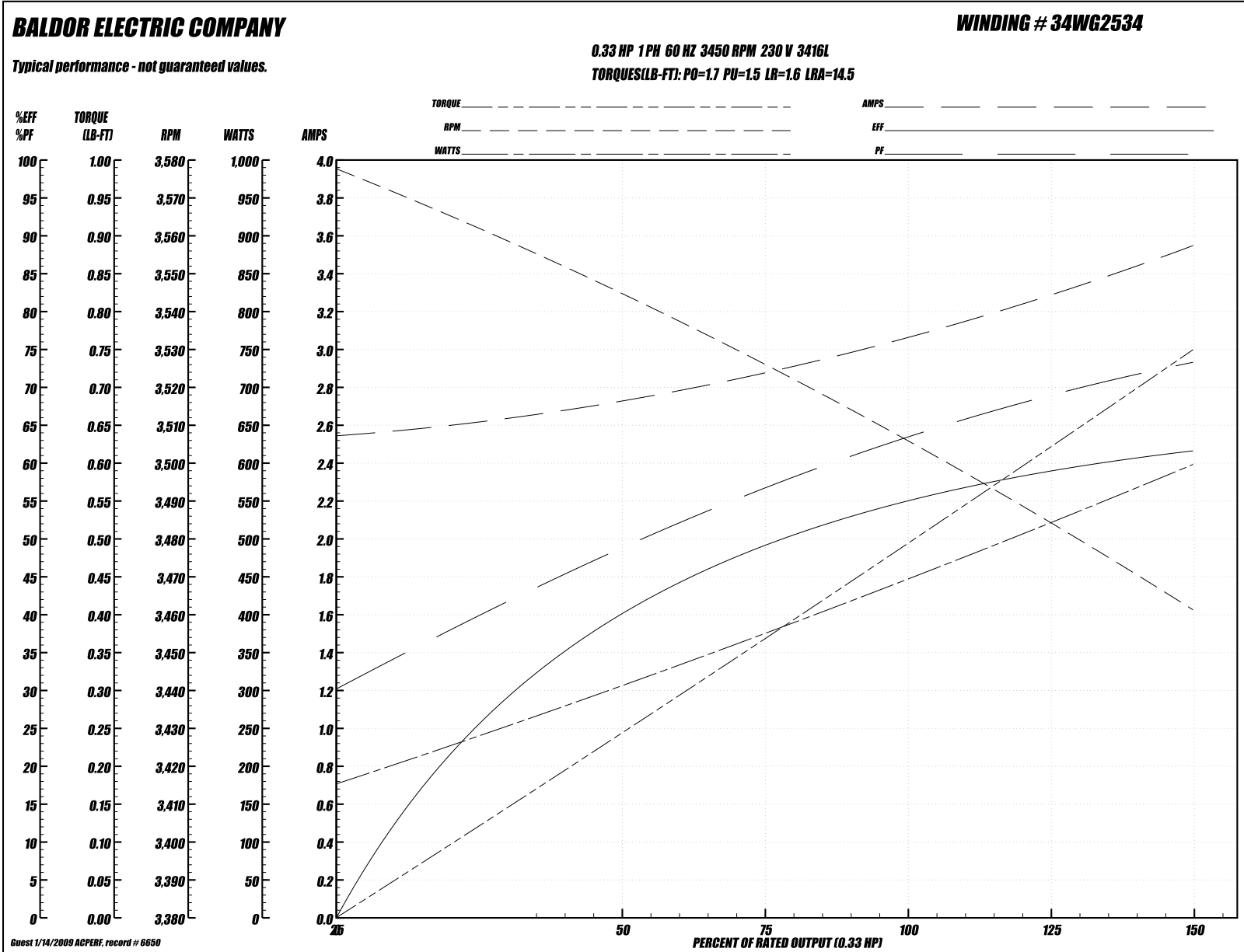
Performance Data at 230V, 60Hz, 0.33HP (Typical performance - Not guaranteed values)
General Characteristics

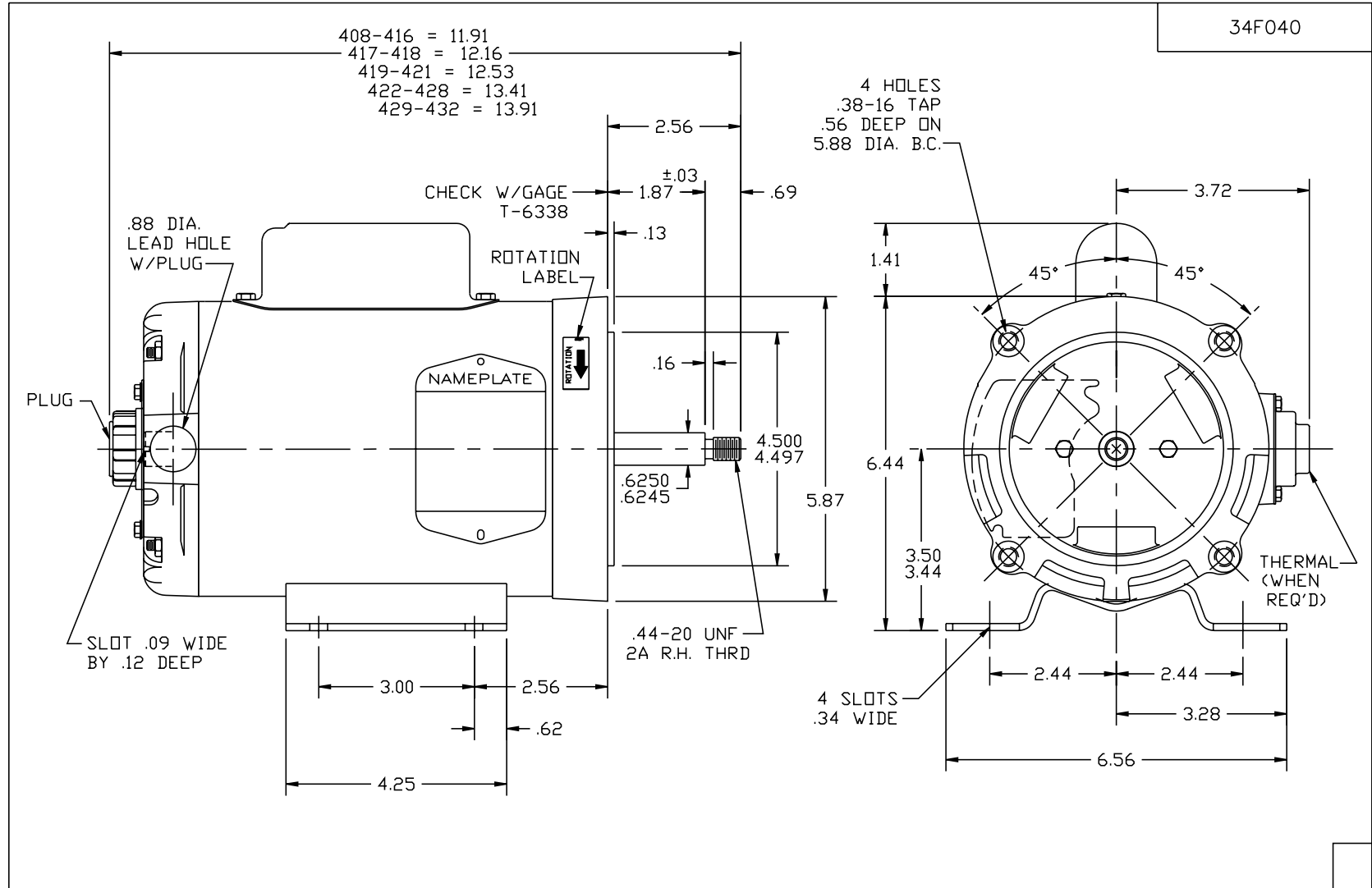
Full Load Torque:	0.5 LB-FT	Start Configuration:	DOL
No-Load Current:	2.55 Amps	Break-Down Torque:	1.7 LB-FT
Line-line Res. @ 25°C.:	4.92 Ohms A Ph / 3.95 Ohms B Ph	Pull-Up Torque:	1.5 LB-FT
Temp. Rise @ Rated Load:	31°C	Locked-Rotor Torque:	1.6 LB-FT
Temp. Rise @ S.F. Load:	43°C	Starting Current:	14.5 Amps

Load Characteristics

% of Rated Load:	25	50	75	100	125	150	S.F.
Power Factor:	39.0	48.0	56.0	63.0	69.0	73.0	81.0
Efficiency:	26.0	40.6	49.5	55.3	59.1	61.6	66.7
Speed:	3561.0	3544.0	3525.0	3505.0	3484.0	3461.0	3442.0
Line Amperes:	2.6	2.75	2.9	3.05	3.3	3.55	3.8

Performance Graph at 230V, 60Hz, 0.33HP (Typical performance - Not guaranteed values)

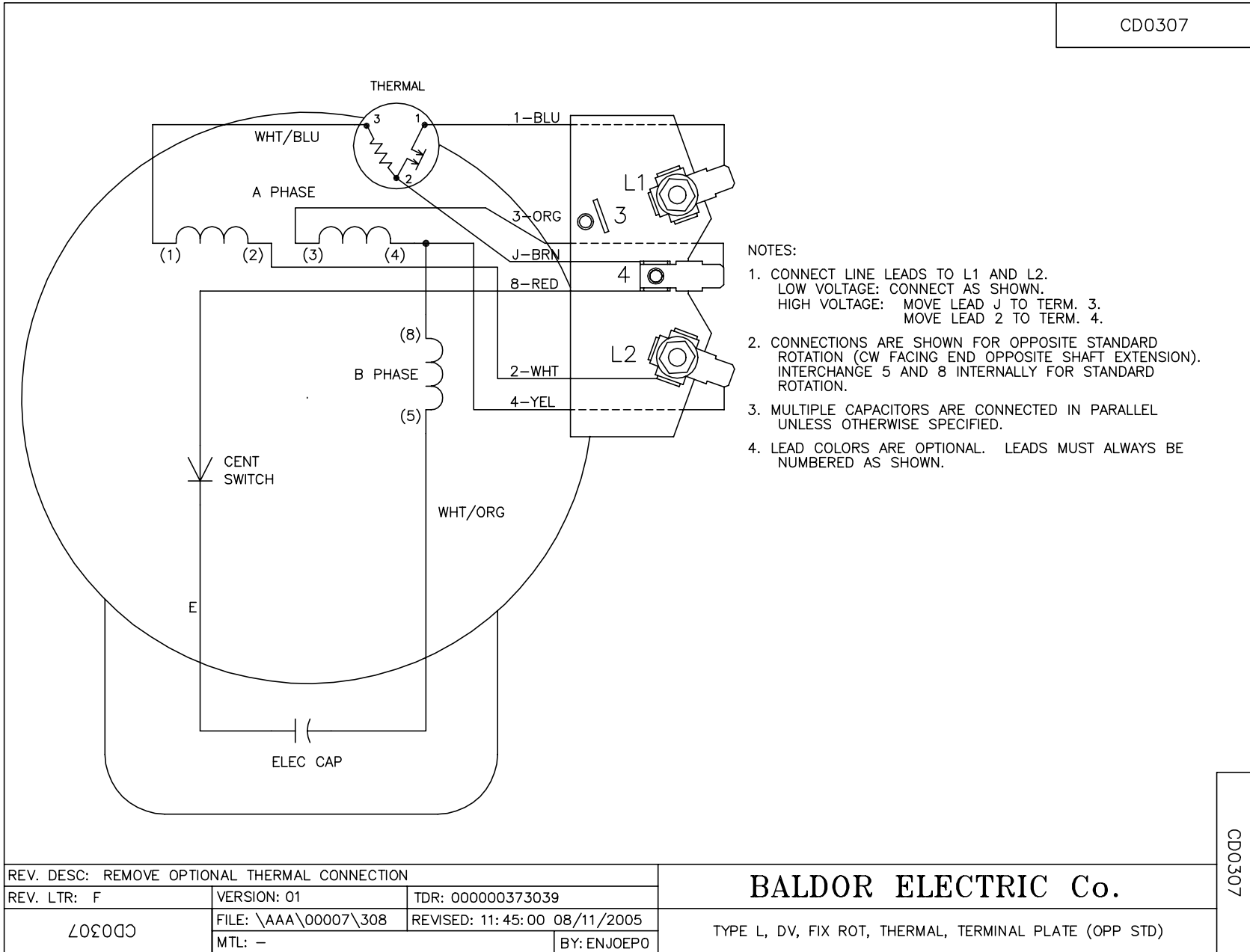




CUST. NAME		CUST. P.O.		CERTIFIED BY		MODEL		INSUL		AMB	
H.P.		MTG		TYPE		R.P.M.		VOLTS		ENCL	
PHASE		FREQ		FRAME		REMARKS:					
REV: C		MOVED TO ACAD									
34F040		RER: 34F009		BY: MW		REVISED: 01/09/96		BALDOR ELECTRIC Co. STD HORZ MODEL 34L NEMA 56J OPEN W/TERM PANEL			
		FILE: AAA00026550		TDR: 0086069							

34F040

CD0307



CD0307

REV. DESC: REMOVE OPTIONAL THERMAL CONNECTION		
REV. LTR: F	VERSION: 01	TDR: 000000373039
CD0307	FILE: \AAA\00007\308	REVISED: 11: 45: 00 08/11/2005
	MTL: -	BY: ENJOEPO

BALDOR ELECTRIC Co.

TYPE L, DV, FIX ROT, THERMAL, TERMINAL PLATE (OPP STD)