



BALDOR® • *RELIANCE*

Product Information Packet

CJL1304A

.5HP,1725RPM,1PH,60HZ,56J,3418L,OPEN,F1

Product Detail							
Revision:	T	Status:	PRD/A	Change #:		Proprietary:	No
Type:	AC	Prod Type:	3418L	Elec. Spec:	34WG5595	CD Diagram:	CD0307
Enclosure	OPEN	Mfg Plant:		Mech Spec:	34F030	Layout:	34LYF030
Frame:	56J	Mounting:	F1	Poles:	04	Created Date:	
Base:	RG	Rotation:	FOS	Insulation:	B	Eff. Date:	08-19-2008
Leads:	5#18,1#16	Literature:		Elec. Diagram:		Replaced By:	

Nameplate NP1257L									
CAT.NO.									
SPEC.	34F30-5595								
HP	.5								
VOLTS	115/230								
AMP	8.4/4.2								
RPM	1725								
FRAME	56J	HZ			60	PH	1		
SER.F.	1.25	CODE			K	DES	N	CL	B
NEMA-NOM-EFF	62	PF			62				
RATING	40C AMB-CONT								
CC				USABLE AT 208V		4.8			
DE	6203	ODE			6203				
ENCL	OPEN	SN							
	SFA 9.2/4.6								

Parts List			
Product ID	Description	Quantity	List Price
SA005848	SA 34F30-5595	1.000	202.00
RA002594	RA 34F30-5595	1.000	168.00
EC1270A02SP	ELEC CAP, 270-324 MFD, 125V, 1.48D X 3.	1.000	15.00
34EP3202A02	FR ENDPLATE, MACH	1.000	49.00
51XW0832A07	8-32 X .44, TAPTITE II, HEX WSHR SLTD SE	3.000	2.00
11XT0832G06	8-32 X 3/8 TY 23 TAP GRN. X	1.000	3.00
NS2500A01	INSULATOR, AUTO THER PROT	1.000	2.00
34CB4800SP	CAPACITOR COVER, STAMPED X X	1.000	20.00
51XB1016A05	10-16X5/16HX WA SL SR TYB (F/S)	2.000	2.00
HW5100A03SP	WAVY WASHER (W1543-017)	1.000	2.00
34EP3401A01SP	PU ENDPLATE, MACH	1.000	63.00
34AD2000	BAFFLE PLATE, STAMPED	1.000	2.00
51XT0632A06	6-32X3/8 TY23 HXWS SLDSR	4.000	2.00
51XN1032A20	10-32 X 1 1/4 HX WS SL SR	2.000	2.00
34FH4500A02P	DRIPCOVER, STAMP/PAINT	1.000	34.00
51XW0832A07	8-32 X .44, TAPTITE II, HEX WSHR SLTD SE	2.000	2.00
34CB4501SP	TERMINAL BOX LID, STAMPED X (PLATED)	1.000	20.00
51XW0832A07	8-32 X .44, TAPTITE II, HEX WSHR SLTD SE	2.000	2.00
RM1010A01	35-968-1 VINYL CLS	1.000	2.00
MG1000G27	PAINT- S9282E CHARCOAL GREY	0.014	4,000.00
10XF0440S02	04-40 X 1/8 TYPE F HEX HD STAINLESS STIC	2.000	2.00
LB1009	LABEL, ROTATION DIRECTION (ON ROLLS)	1.000	2.00
SP5068A01	34L TERM PANEL STAT SWITCH #E-6"	1.000	27.00
HA3100A28	THRUBOLT 10-32 X 8.187	4.000	2.00

Parts List (continued)			
Product ID	Description	Quantity	List Price
LB1118	LABEL,WARNING (ROLL LABEL)	1.000	2.00
LB1172A01	CUSTOM MTR CARTON LABEL LASER PRINTER	1.000	2.00
LC0307	CONNECTION LABEL NAMEPLA. X	1.000	2.00
NP1257L	NP STD LASER ENGRAVED THERMAL PROTECTED,	1.000	25.00
34PA1002	PACKING GROUP, BALDOR	1.000	13.00

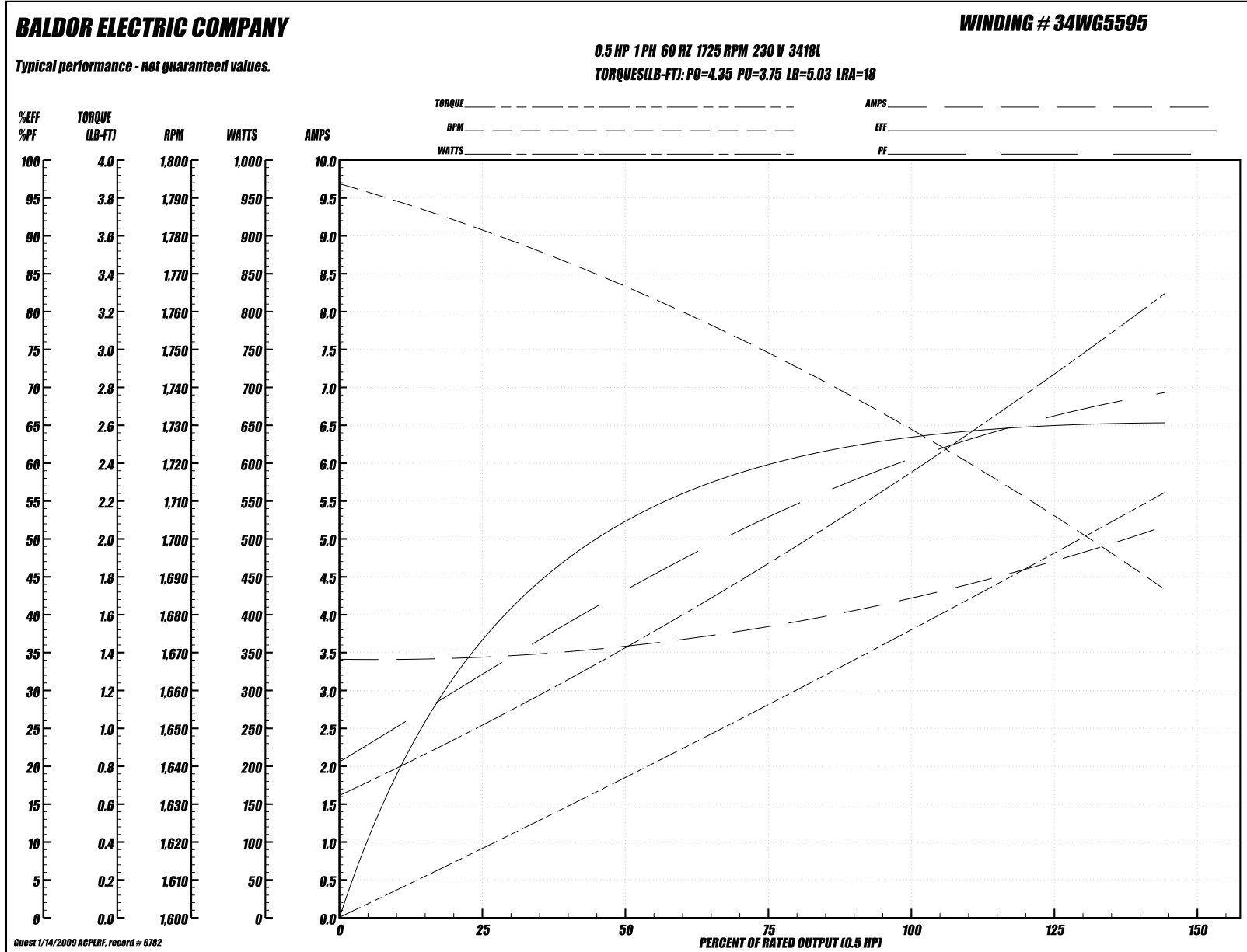
Performance Data at 230V, 60Hz, 0.5HP (Typical performance - Not guaranteed values)
General Characteristics

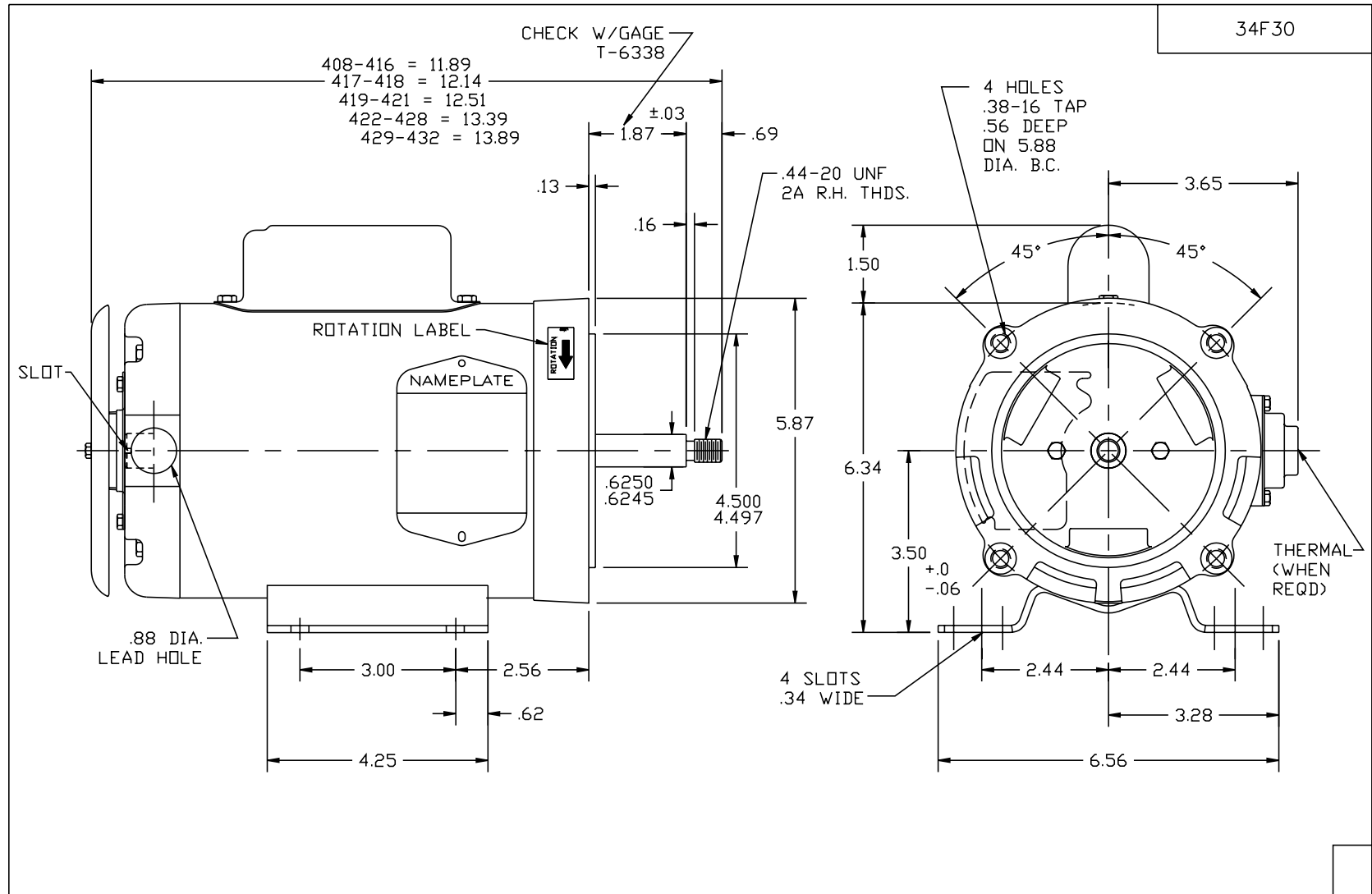
Full Load Torque:	1.5 LB-FT	Start Configuration:	DOL
No-Load Current:	3.4 Amps	Break-Down Torque:	4.35 LB-FT
Line-line Res. @ 25°C.:	4.24 Ohms A Ph / 3.24 Ohms B Ph	Pull-Up Torque:	3.75 LB-FT
Temp. Rise @ Rated Load:	66°C	Locked-Rotor Torque:	5.03 LB-FT
Temp. Rise @ S.F. Load:	78°C	Starting Current:	18.0 Amps

Load Characteristics

% of Rated Load:	25	50	75	100	125	150	S.F.
Power Factor:	30.0	42.0	53.0	62.0	69.0	77.0	69.0
Efficiency:	36.0	52.0	60.0	64.0	65.0	65.0	65.0
Speed:	1780.0	1765.0	1750.0	1730.0	1711.0	1685.0	1711.0
Line Amperes:	3.45	3.6	3.85	4.2	4.6	5.2	4.6

Performance Graph at 230V, 60Hz, 0.5HP (Typical performance - Not guaranteed values)



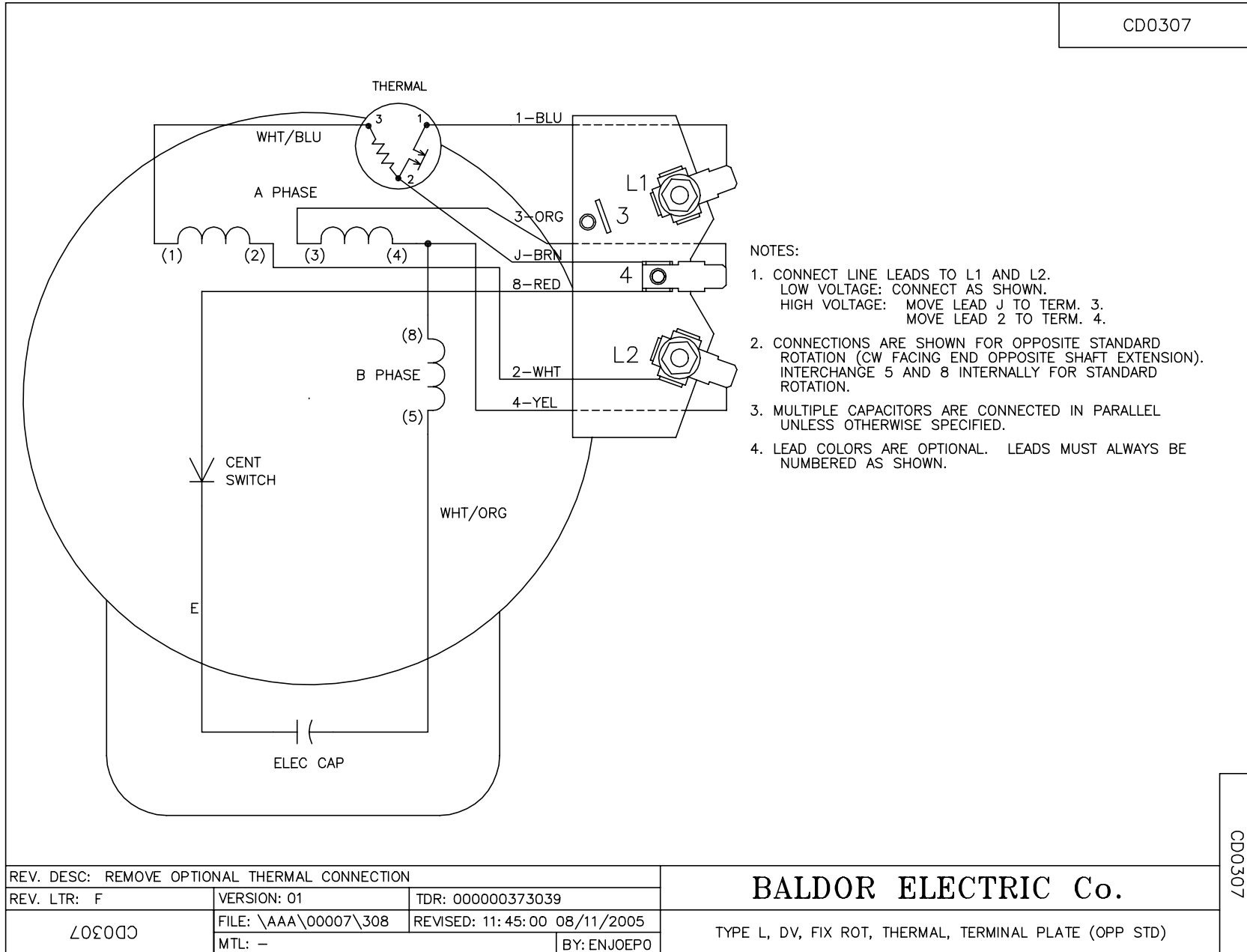


34F30

CUST. NAME		CUST. P.O.		CERTIFIED BY		MODEL		INSUL		AMB	
H.P.		MTG		TYPE		R.P.M.		VOLTS		ENCL	
PHASE		FREQ		FRAME		REMARKS:					
REV:	E	MOVED TO ACAD									
34F30						REF NO: 34F09 BY: MW					
FILE: AAA00007738						REVISED: 01/11/94					
TDR: 0051161						STD HORZ MODEL 34L NEMA 56J OPEN W/DRIPCOVER & TERM PLATE					

34F30

CD0307



CD0307

REV. DESC: REMOVE OPTIONAL THERMAL CONNECTION		
REV. LTR: F	VERSION: 01	TDR: 000000373039
CD0307	FILE: \AAA\00007\308	REVISED: 11: 45: 00 08/11/2005
	MTL: -	BY: ENJOEPO

BALDOR ELECTRIC Co.

TYPE L, DV, FIX ROT, THERMAL, TERMINAL PLATE (OPP STD)