



BALDOR® • *RELIANCE*

Product Information Packet

CJM445

.75HP,1725RPM,3PH,60HZ,56J,1718M,OPEN,F1

Product Detail							
Revision:	H	Status:	PRD/A	Change #:		Proprietary:	No
Type:	AC	Prod Type:	1718M	Elec. Spec:	17WG334	CD Diagram:	CD0005
Enclosure	OPEN	Mfg Plant:		Mech Spec:	17E179	Layout:	17LYE179
Frame:	56J	Mounting:	F1	Poles:	04	Created Date:	
Base:	RG	Rotation:	R	Insulation:	B	Eff. Date:	05-16-2008
Leads:	9#18	Literature:		Elec. Diagram:		Replaced By:	

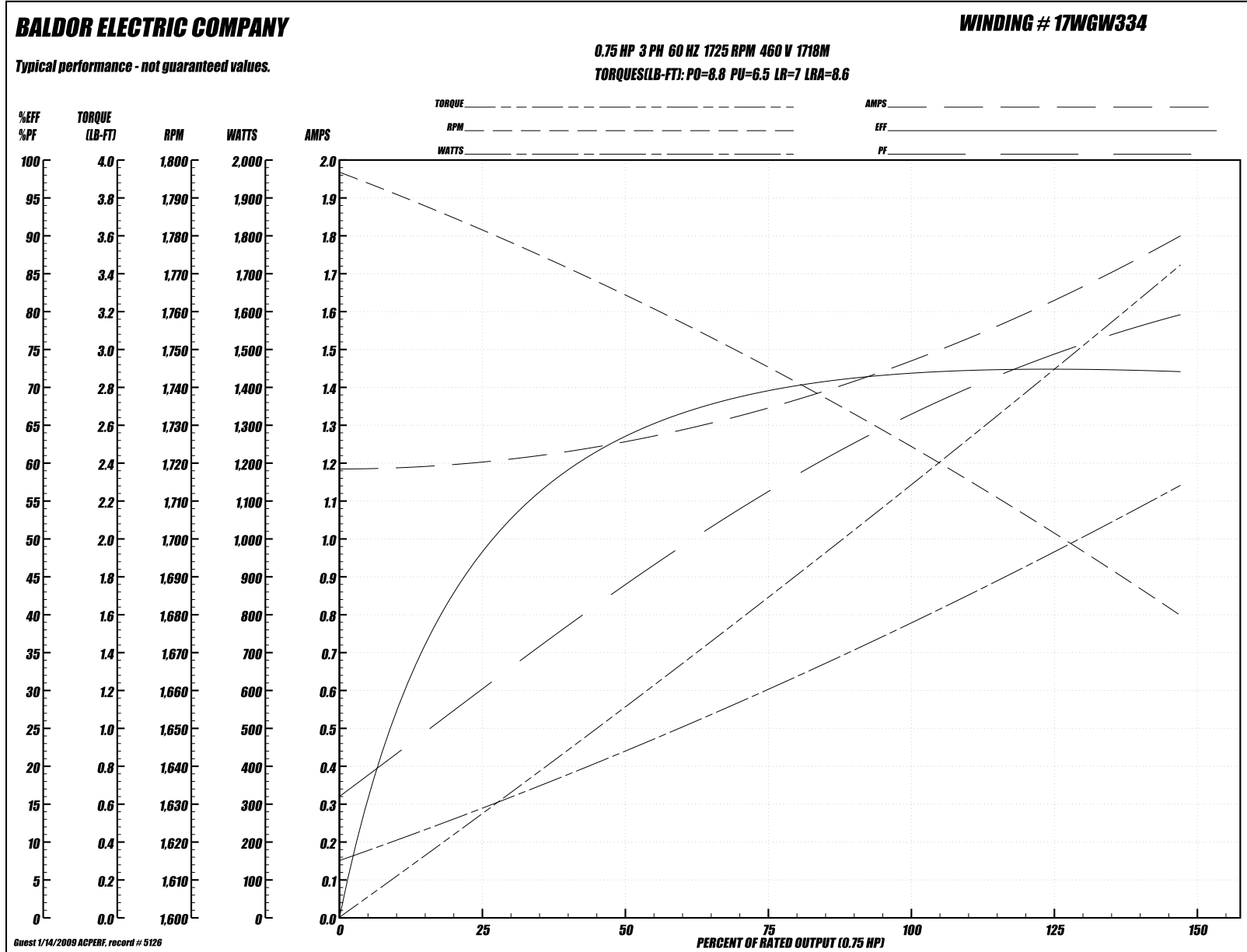
Nameplate NP1203							
CAT.NO.	CJM445	ENCL			OPEN		
SPEC.	17E179W334G1	FRAME			56J		
HP	.75						
VOLTS	230/460						
AMPS	3/1.5						
RPM	1725						
HZ	60	PH		3	CL		B
SER.F.	1.25	DES		B	CODE		L
FL EFF	72	PF		68			
RATING	40C AMB-CONT						
SF AMP	3.2/1.6	USABLE AT 208V			3.2		
SER.							
MANUAL	N	AUTO			N	NONE	
BLANK							

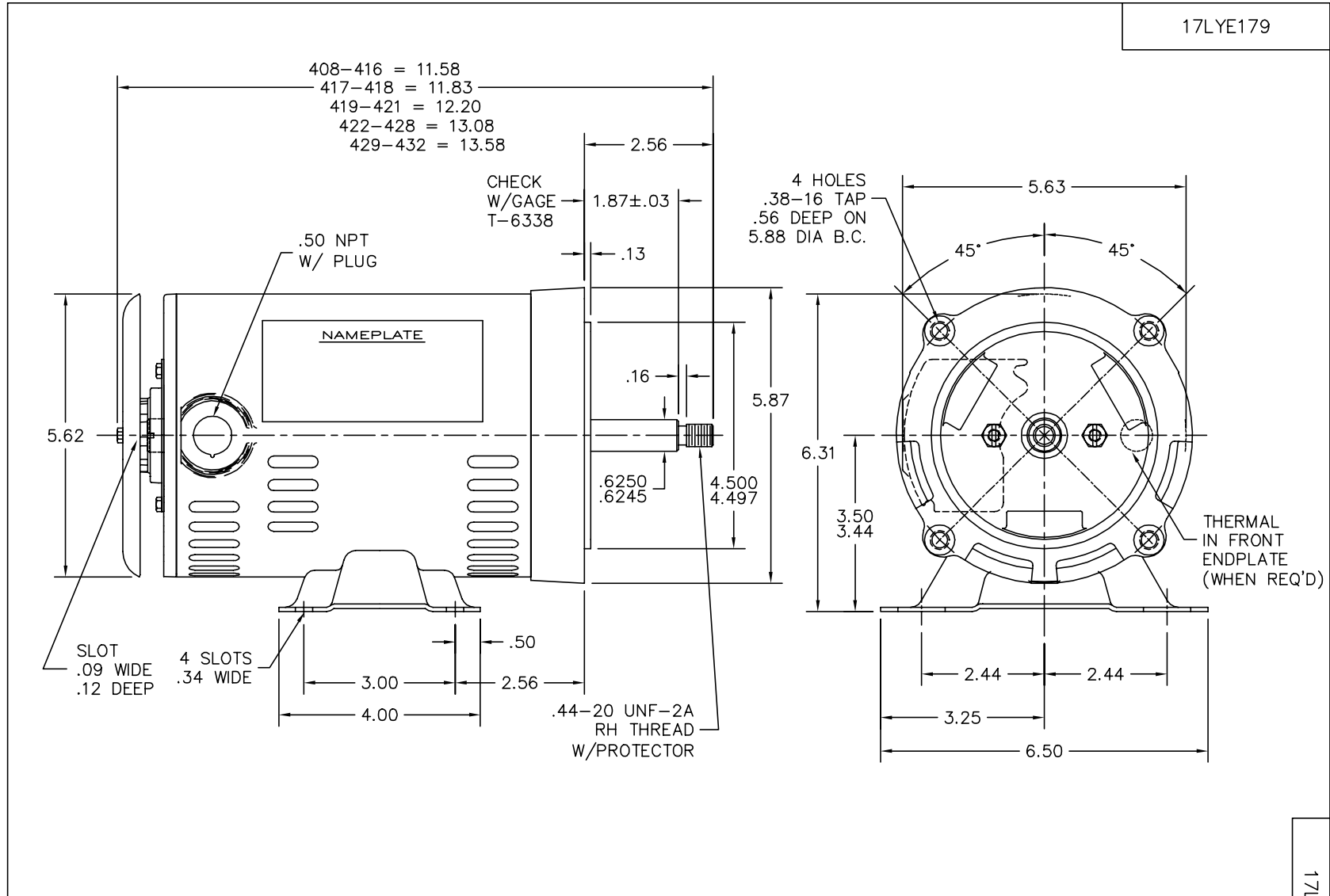
Parts List			
Product ID	Description	Quantity	List Price
SA073134	SA 17E179W334G1	1.000	172.00
RA066881	RA 17E179W334G1	1.000	143.00
WD4100A49	CAPLUG,BP-13/16,PLUG W/RECESSED HEAD	1.000	2.00
11XT0832G06	8-32 X 3/8 TY 23 TAP GRN. X	1.000	3.00
51XW0832A07	8-32 X .44, TAPTITE II, HEX WSHR SLTD SE	4.000	2.00
HW5100A03SP	WAVY WASHER (W1543-017)	1.000	2.00
34EP3401A07	PU ENDPLATE, MACH	1.000	37.00
51XN2520A08	SCREW, HEX WS SLT, SERR .25-20 X .50	2.000	2.00
17AD0001A01	BAFFLE PLATE, MACH. FOR SPL 5.25 DIA. O.	1.000	4.00
51XT0632A06	6-32X3/8 TY23 HXWS SLDSR	4.000	2.00
34FH4500A13	DRIP/FAN COVER, STAMPED W/2 #26 DRILL HO	1.000	25.00
51XW0832A07	8-32 X .44, TAPTITE II, HEX WSHR SLTD SE	2.000	2.00
34CB4501SP	TERMINAL BOX LID, STAMPED X (PLATED)	1.000	20.00
51XW0832A07	8-32 X .44, TAPTITE II, HEX WSHR SLTD SE	2.000	2.00
HW4600B39SP	SEAL 0.550 X .790 X .180 FACE SEALING	1.000	3.00
17EP3200BT06	FR ENDPLATE, MACH W/HUB FOR DRIP COVER &	1.000	17.00
SP1042A01	TERM BOARD, MODEL 17 3 PHASE FOR .75" TH	1.000	6.00
HA3100A44	THRUBOLT 10-32 X 8.000	4.000	2.00
LB1125A01SP	STOCK MTR CARTON LABEL LASER PRINTER	1.000	3.00
LC0005	CONN.DIA.,TYPE M,9-LD,DUAL VOLTAGE,REVER	1.000	2.00
LB5040	INSTRUCTION TAG, AC & DC	1.000	2.00
MG5017	VARNISH - PDG 2500	0.050	
NP1203	NP LABEL (FOR COMMERCIAL MOTOR)	1.000	
34PA1002	PACKING GROUP, BALDOR	1.000	13.00

Performance Data at 460V, 60Hz, 0.75HP (Typical performance - Not guaranteed values)

General Characteristics							
Full Load Torque:	2.3 LB-FT			Start Configuration:	DOL		
No-Load Current:	1.2 Amps			Break-Down Torque:	8.8 LB-FT		
Line-line Res. @ 25°C.:	25.2 Ohms A Ph / 0.0 Ohms B Ph			Pull-Up Torque:	6.5 LB-FT		
Temp. Rise @ Rated Load:	53°C			Locked-Rotor Torque:	7.0 LB-FT		
Temp. Rise @ S.F. Load:	61°C			Starting Current:	8.6 Amps		
Load Characteristics							
% of Rated Load:	25	50	75	100	125	150	S.F.
Power Factor:	32.0	47.0	58.0	68.0	75.0	81.0	0.0
Efficiency:	50.0	64.2	69.1	72.1	72.6	72.0	0.0
Speed:	1779.0	1763.0	1745.0	1724.0	1703.0	1679.0	0.0
Line Amperes:	1.2	1.2	1.4	1.5	1.6	1.8	1.6

Performance Graph at 460V, 60Hz, 0.75HP (Typical performance - Not guaranteed values)





CUSTOMER IS RESPONSIBLE FOR DETERMINING THAT MOTOR PERFORMANCE IS SUITABLE IN THE APPLICATION.

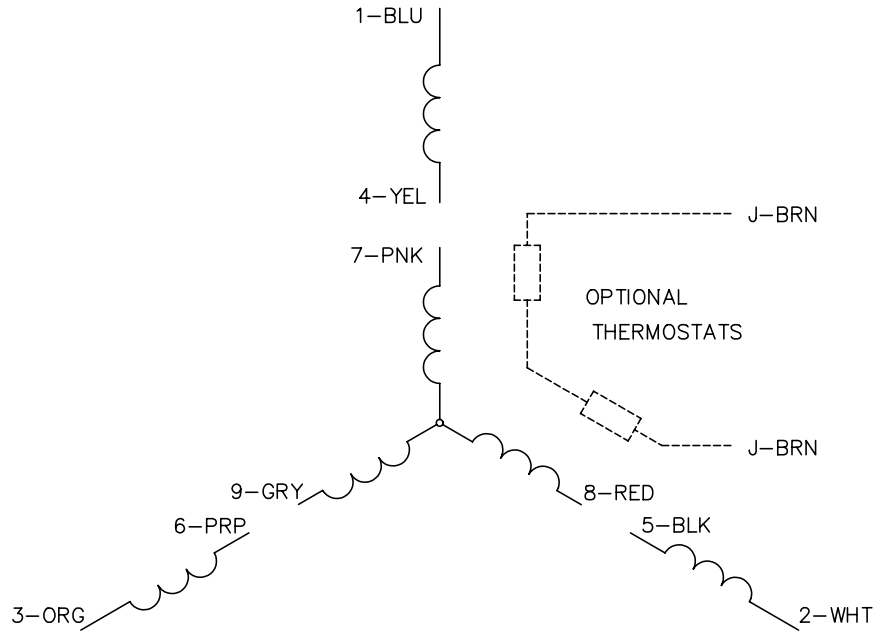
REV. DESC: ADDED CALL OUT FOR 4 SLOTS .34 WIDE IN BASE			
REV. LTR: B	BY: DH	REVISED: 14:52:11 07/02/2001	TDR: 243286
17YE179		FILE: AAA00083656	REF: 17LYE179
		MTL: -	

BALDOR ELECTRIC Co.

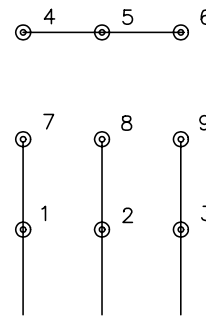
HORZ 17M NEMA 56J OPEN W/DRIP COVER & FINNED ER

17LYE179

CD0005

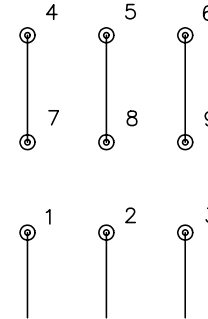


LOW VOLTAGE
(2Y)



LINE

HIGH VOLTAGE
(1Y)



LINE

NOTES:

1. INTERCHANGE ANY TWO LINE LEADS TO REVERSE ROTATION.
2. OPTIONAL THERMOSTATS ARE PROVIDED WHEN SPECIFIED.
3. ACTUAL NUMBER OF INTERNAL PARALLEL CIRCUITS MAY BE A MULTIPLE OF THOSE SHOWN ABOVE.
4. LEAD COLORS ARE OPTIONAL. LEADS MUST ALWAYS BE NUMBERED AS SHOWN.

REV. DESC: REVISE TO SHOW OPTIONAL COLORS

REV. LTR: E BY: JLP

REVISED: 01/19/99 10:15

TDR: 0171435

900000

FILE: AAA00005140

MDL: -

MTL: -

BALDOR ELECTRIC Co.

3PH, DV, 9 LEADS

CD0005