



BALDOR® • *RELIANCE*

Product Information Packet

CL1303

.5HP,3450RPM,1PH,60HZ,56C,3413L,OPEN,F1

Product Detail							
Revision:	G	Status:	PRD/A	Change #:		Proprietary:	No
Type:	AC	Prod Type:	3413L	Elec. Spec:	34WGX716	CD Diagram:	CD0001
Enclosure	OPEN	Mfg Plant:		Mech Spec:	34F383	Layout:	34LYF383
Frame:	56C	Mounting:	F1	Poles:	02	Created Date:	
Base:	RG	Rotation:	R	Insulation:	B	Eff. Date:	08-19-2008
Leads:	6#18	Literature:		Elec. Diagram:		Replaced By:	

Nameplate NP1256L									
CAT.NO.	CL1303								
SPEC.	34F383X716								
HP	1/2								
VOLTS	115/230								
AMP	7/3.5								
RPM	3450								
FRAME	56C	HZ	60	PH	1				
SER.F.	1.25	CODE	L	DES	N	CLASS	B		
NEMA-NOM-EFF	66	PF	72						
RATING	40C AMB-CONT								
CC				USABLE AT 208V	4.1				
DE	6203	ODE	6203						
ENCL	OPEN	SN							
	SFA 8/4								

Parts List			
Product ID	Description	Quantity	List Price
SA045158	SA 34F383X716	1.000	151.00
RA040555	RA 34F383X716	1.000	126.00
NS2512A01	INSULATOR, CONDUIT BOX X X	1.000	2.00
34CB3002A	CB CAST W/.88 DIA HOLE	1.000	13.00
51XB1016A07	10-16 X 7/16 HXWSSLD SERTYB	2.000	2.00
11XW1032G06	10-32 X .38, TAPTITE II, HEX WSHR SLTD U	1.000	3.00
34EP3210A01SP	FR ENDPLATE, MACH	1.000	52.00
SP1006A01	TERM. BOARD, MODE 35 SW X H-23655	1.000	7.00
51XW0832A07	8-32 X .44, TAPTITE II, HEX WSHR SLTD SE	2.000	2.00
NS2501A01	INSULATOR, CAPACITOR X	1.000	2.00
51XB1016A05	10-16X5/16HX WA SL SR TYB (F/S)	2.000	2.00
HW5100A03SP	WAVY WASHER (W1543-017)	1.000	2.00
34EP3401A01SP	PU ENDPLATE, MACH	1.000	63.00
34AD2000	BAFFLE PLATE, STAMPED	1.000	2.00
51XT0632A06	6-32X3/8 TY23 HXWS SLDSR	4.000	2.00
51XN1032A20	10-32 X 1 1/4 HX WS SL SR	2.000	2.00
34CB4517	CB LID 4 MTG HOLES .22 DIA STAMPED, FOR	1.000	5.00
51XW0832A07	8-32 X .44, TAPTITE II, HEX WSHR SLTD SE	4.000	2.00
HW2501D13SP	KEY, 3/16 SQ X 1.375	1.000	2.00
HA7000A04	KEY RETAINER 0.625 DIA SHAFTS	1.000	2.00
MG1000G27	PAINT- S9282E CHARCOAL GREY	0.014	4,000.00
10XF0440S02	04-40 X 1/8 TYPE F HEX HD STAINLESS STIC	2.000	2.00
EC1400A03SP	ELEC CAP, 400-480 MFD, 125V, 1.81D X 3.	1.000	23.00
SP5056A24	MODEL 34 TYPE L STATIONARY SWITCH WITH L	1.000	18.00

Parts List (continued)			
Product ID	Description	Quantity	List Price
33CB4800A01	CAPACITOR COVER, STAMPED	1.000	10.00
HA3100A12	THRUBOLT 10-32 X 7.375	4.000	2.00
LB5040	INSTRUCTION TAG, AC & DC	1.000	2.00
LB1125C01	STD (STOCK) CARTON LABEL BALDOR WITH FLA	1.000	2.00
LC0001A01	CONN LABEL / WARNING LABEL (LC0001 / LB1	1.000	2.00
NP1256L	NP STD LASER ENGRAVED, UL CSA CC, W/O TH	1.000	3.00
34PA1005	PACKING GROUP, BALDOR	1.000	10.00

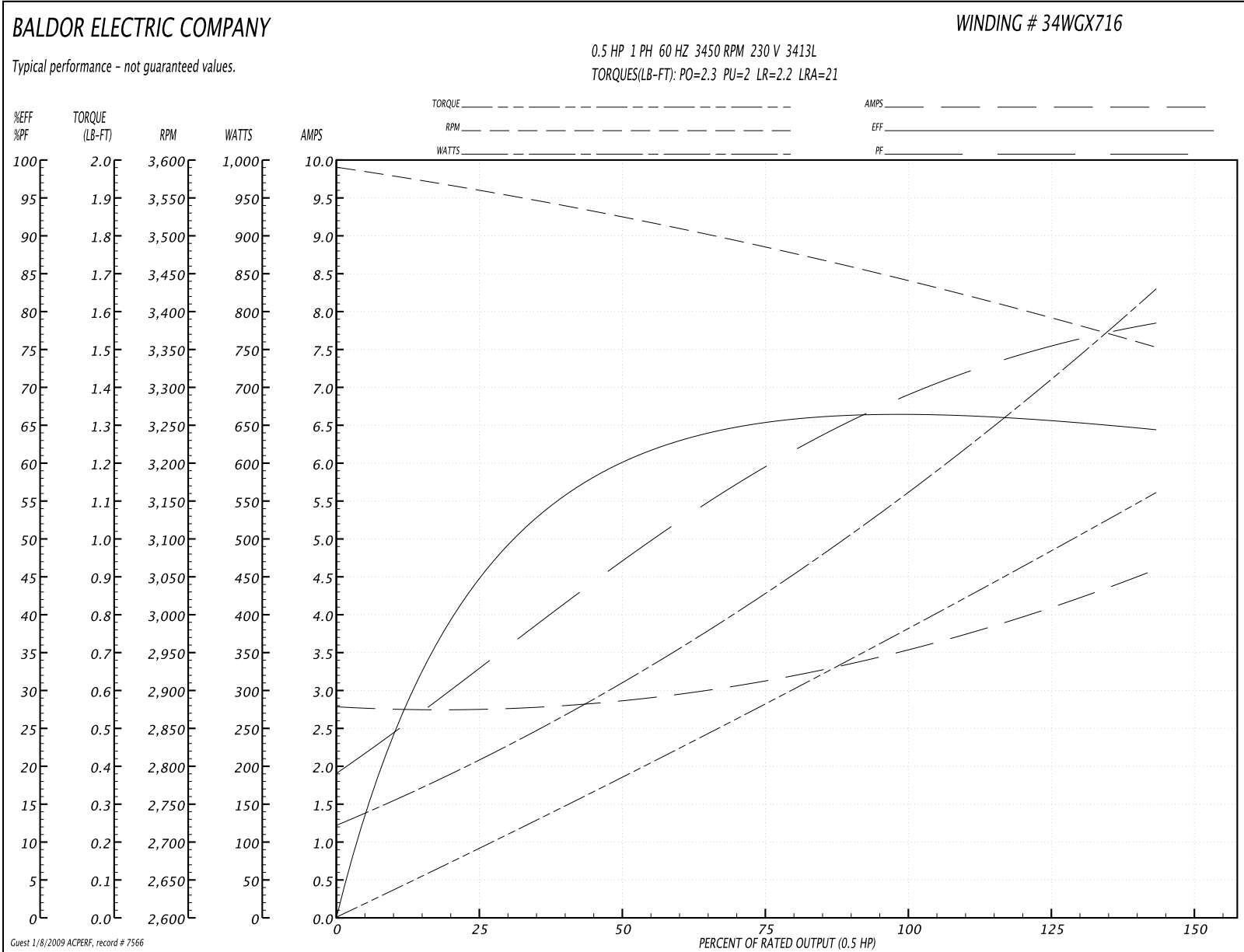
Performance Data at 230V, 60Hz, 0.5HP (Typical performance - Not guaranteed values)
General Characteristics

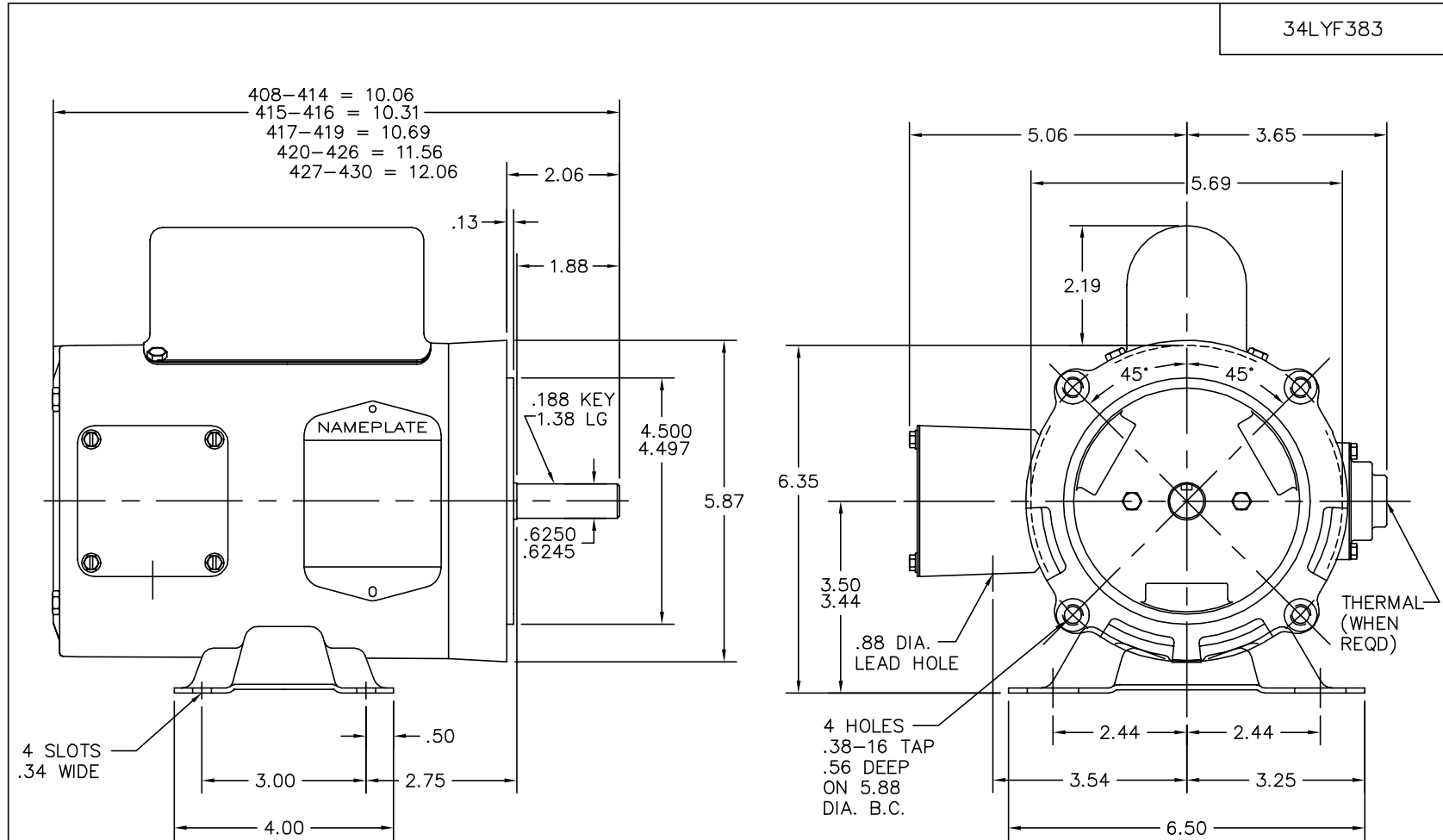
Full Load Torque:	0.75 LB-FT	Start Configuration:	DOL
No-Load Current:	2.76 Amps	Break-Down Torque:	2.3 LB-FT
Line-line Res. @ 25°C.:	4.163 Ohms A Ph / 4.624 Ohms B Ph	Pull-Up Torque:	2.0 LB-FT
Temp. Rise @ Rated Load:	67°C	Locked-Rotor Torque:	2.2 LB-FT
Temp. Rise @ S.F. Load:	84°C	Starting Current:	21.0 Amps

Load Characteristics

% of Rated Load:	25	50	75	100	125	150	S.F.
Power Factor:	29.0	48.0	60.0	69.0	76.0	78.0	76.0
Efficiency:	50.7	58.5	64.8	66.2	65.8	64.6	65.8
Speed:	3548.0	3520.0	3489.0	3449.0	3405.0	3346.0	3405.0
Line Amperes:	2.78	2.88	3.13	3.5	3.95	4.64	3.95

Performance Graph at 230V, 60Hz, 0.5HP (Typical performance - Not guaranteed values)





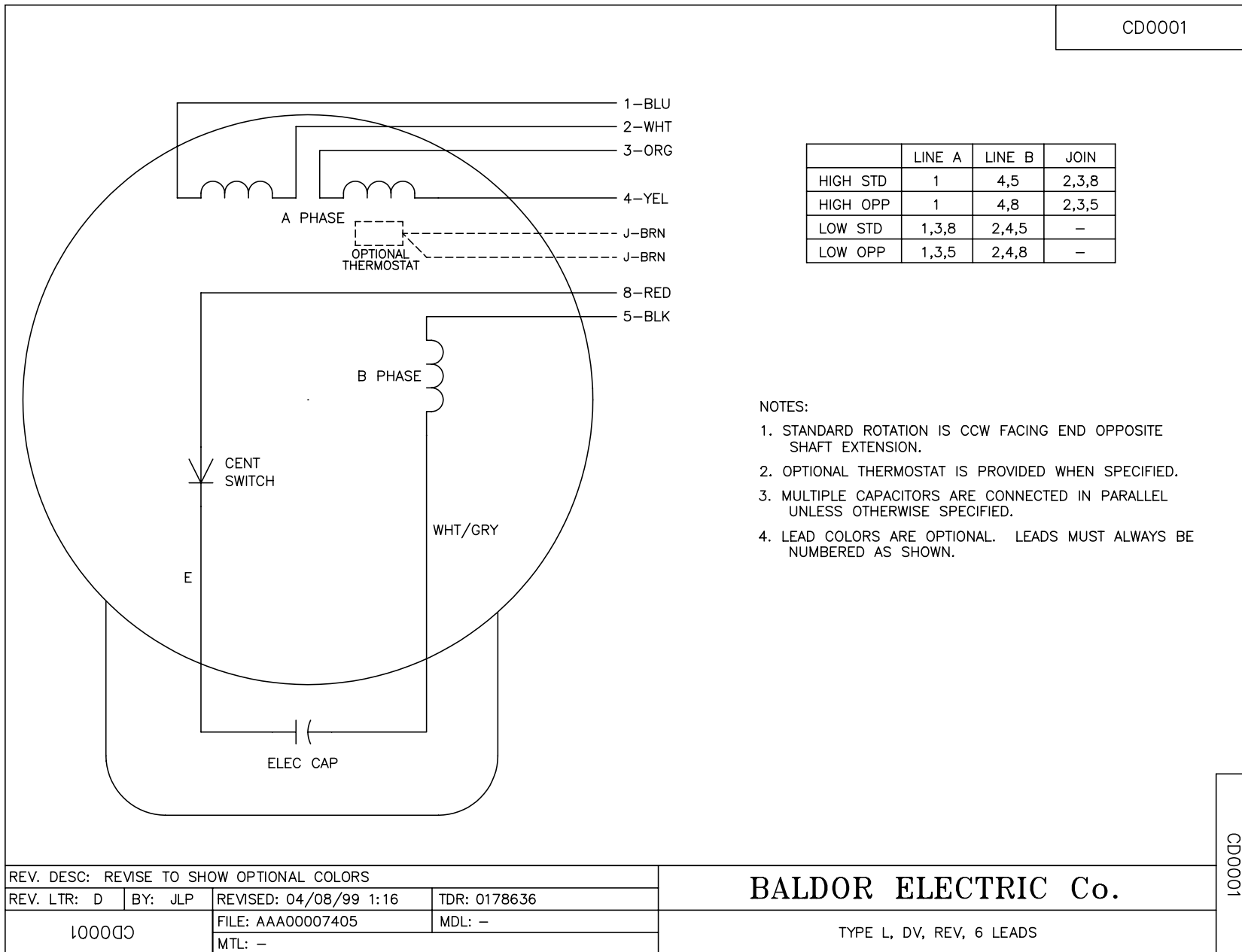
CUSTOMER IS RESPONSIBLE FOR DETERMINING THAT MOTOR PERFORMANCE IS SUITABLE IN THE APPLICATION.

REV. DESC: NEW KBOX & LID			
REV. LTR: A	BY: RT	REVISED: 08:26:13 11/05/2003	TDR: 316633
34LYF383		FILE: AAA00006073	REF: 34LYF383
		MTL: -	

BALDOR ELECTRIC Co.
HORZ MODEL 34L NEMA 56C OPEN W/3 PH ENDRINGS & LG CAPAC

34LYF383

CD0001



REV. DESC: REVISE TO SHOW OPTIONAL COLORS			
REV. LTR: D	BY: JLP	REVISED: 04/08/99 1:16	TDR: 0178636
100000		FILE: AAA00007405	MDL: -
		MTL: -	

BALDOR ELECTRIC Co.

TYPE L, DV, REV, 6 LEADS

CD0001