



BALDOR® • *RELIANCE*

Product Information Packet

CL1310

1HP,1725RPM,1PH,60HZ,56C,3520L,OPEN,F1

Product Detail									
Revision:	W	Status:	PRD/A	Change #:		Proprietary:	No		
Type:	AC	Prod Type:	3520L	Elec. Spec:	35WGY168	CD Diagram:	CD0001		
Enclosure	OPEN	Mfg Plant:		Mech Spec:	35D012	Layout:	35LYD012		
Frame:	56C	Mounting:	F1	Poles:	04	Created Date:			
Base:	RG	Rotation:	R	Insulation:	B	Eff. Date:	12-05-2008		
Leads:	4#16,2#18	Literature:		Elec. Diagram:		Replaced By:			
Nameplate NP1256L									
CAT.NO.	CL1310								
SPEC.	35D12Y168								
HP	1								
VOLTS	115/230								
AMP	13.4/6.7								
RPM	1725								
FRAME	56C	HZ			60	PH	1		
SER.F.	1.15	CODE			K	DES	N	CLASS	B
NEMA-NOM-EFF	66	PF			72				
RATING	40C AMB-CONT								
CC				USABLE AT 208V	7.4				
DE	6205	ODE			6203				
ENCL	OPEN	SN							

Parts List			
Product ID	Description	Quantity	List Price
SA022650	SA 35D12Y168	1.000	256.00
RA018700	RA 35D12Y168	1.000	213.00
EC1645A06SP	ELEC CAP, 645-774 MFD, 125V, 2.06D X 4.	1.000	31.00
NS2512A01	INSULATOR, CONDUIT BOX X X	1.000	2.00
35CB3007	35 CB CASTING W/.88 DIA. LEAD HOLE	1.000	27.00
51XB1016A07	10-16 X 7/16 HXWSSLD SERTYB	2.000	2.00
11XW1032G06	10-32 X .38, TAPTITE II, HEX WSHR SLTD U	1.000	3.00
35EP3201A03	STD FR EP OPEN-203BRG-35L OR M FRAME--LE	1.000	66.00
SP1006A01	TERM. BOARD, MODE 35 SW X H-23655	1.000	7.00
51XW0832A07	8-32 X .44, TAPTITE II, HEX WSHR SLTD SE	2.000	2.00
NS2501A01	INSULATOR, CAPACITOR X	1.000	2.00
51XB1016A05	10-16X5/16HX WA SL SR TYB (F/S)	2.000	2.00
HW5100A03SP	WAVY WASHER (W1543-017)	1.000	2.00
35EP3400A13	STD FACE MTD END PLATE OPEN NEMA 56C 05	1.000	56.00
35AD2000	AIR BAFFLE	1.000	6.00
60XW0632A06	6-32 X 3/8 TORX HEAD SCREW TAPTITE II	4.000	
51XN1032A20	10-32 X 1 1/4 HX WS SL SR	2.000	2.00
35CB4521	35 LIPPED CB LID (GALV & PHOSPH)	1.000	2.00
51XW0832A07	8-32 X .44, TAPTITE II, HEX WSHR SLTD SE	4.000	2.00
HW2501D13SP	KEY, 3/16 SQ X 1.375	1.000	2.00
HA7000A04	KEY RETAINER 0.625 DIA SHAFTS	1.000	2.00
10XF0440S02	04-40 X 1/8 TYPE F HEX HD STAINLESS STIC	2.000	2.00
WD1000A15	3-520132-2 AMP FLAG (4M/RL NON-CANC/NON-	2.000	2.00
MJ1000A02	GREASE, POLYREX EM EXXON	0.050	10.00

Parts List (continued)			
Product ID	Description	Quantity	List Price
MG1000G27	PAINT- S9282E CHARCOAL GREY	0.017	4,000.00
SP5055A67	MODEL 35 TYPE L STATIONARY SWITCH LEAD A	1.000	24.00
35CB4802A02SP	CAPACITOR COVER, STAMPED X W/AUTOPHORET	1.000	16.00
HA3100A12	THRUBOLT 10-32 X 7.375	4.000	2.00
LB1125C01	STD (STOCK) CARTON LABEL BALDOR WITH FLA	1.000	2.00
LC0001A01	CONN LABEL / WARNING LABEL (LC0001 / LB1	1.000	2.00
NP1256L	NP STD LASER ENGRAVED, UL CSA CC, W/O TH	1.000	3.00
35PA1066	PACKING GROUP COMBINED PRINT	1.000	13.00

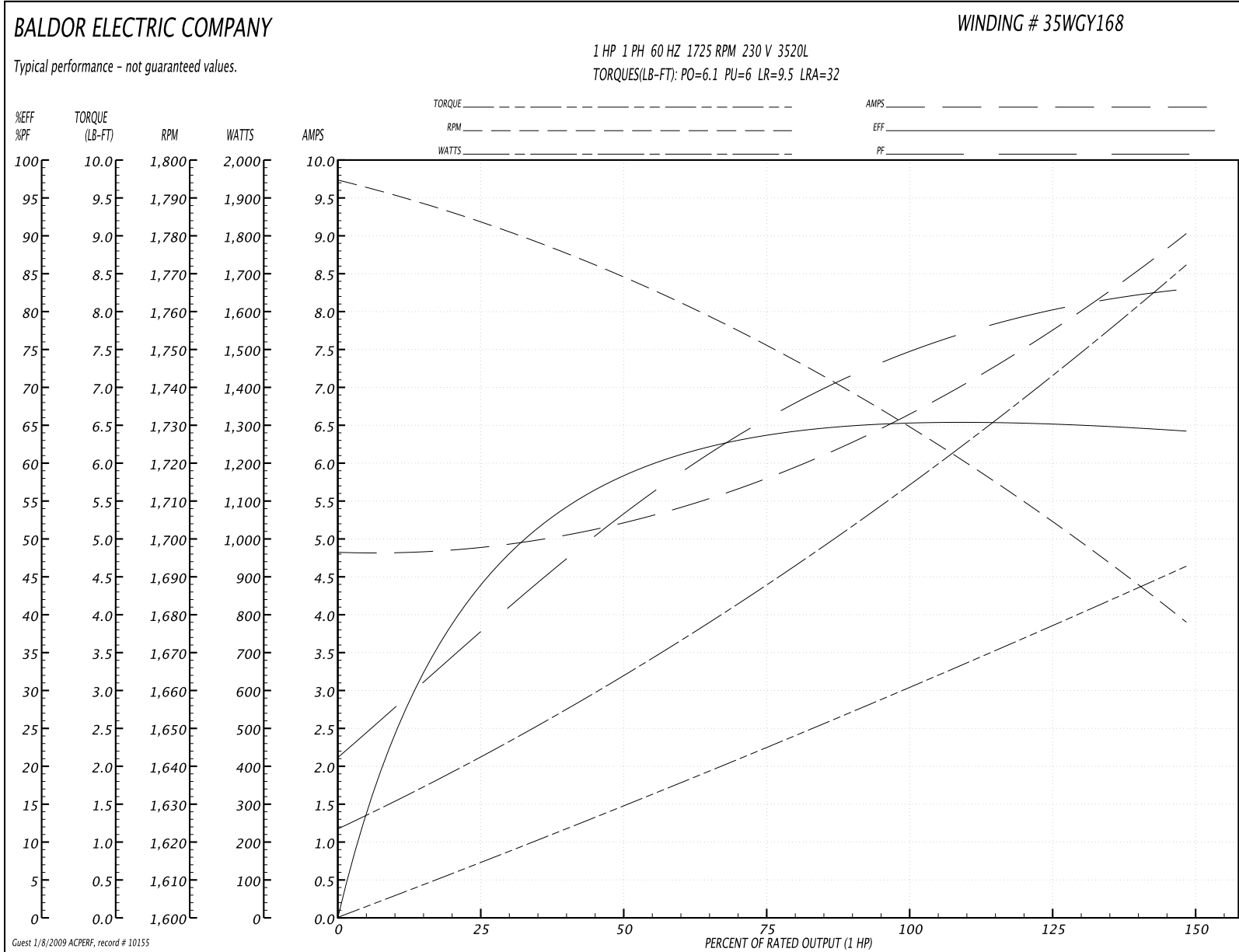
Performance Data at 230V, 60Hz, 1.0HP (Typical performance - Not guaranteed values)
General Characteristics

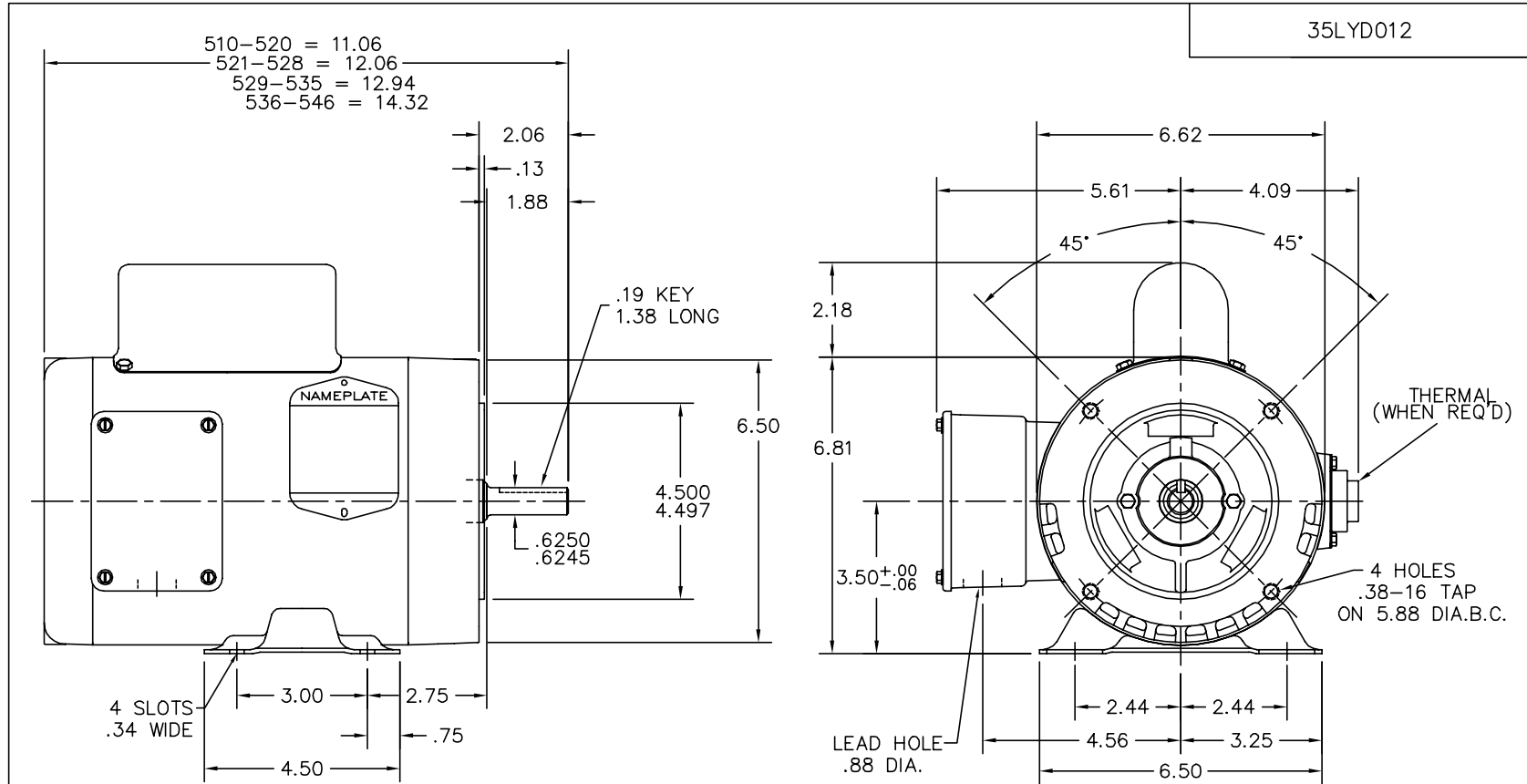
Full Load Torque:	3.1 LB-FT	Start Configuration:	DOL
No-Load Current:	4.8 Amps	Break-Down Torque:	6.1 LB-FT
Line-line Res. @ 25°C.:	3.09 Ohms A Ph / 1.9 Ohms B Ph	Pull-Up Torque:	6.0 LB-FT
Temp. Rise @ Rated Load:	56°C	Locked-Rotor Torque:	9.5 LB-FT
Temp. Rise @ S.F. Load:	64°C	Starting Current:	32.0 Amps

Load Characteristics

% of Rated Load:	25	50	75	100	125	150	S.F.
Power Factor:	37.0	52.0	64.0	72.0	79.0	83.0	76.0
Efficiency:	43.4	58.2	64.0	66.0	65.8	63.7	65.9
Speed:	1782.0	1766.0	1749.0	1729.0	1706.0	1676.0	1715.0
Line Amperes:	4.9	5.3	5.9	6.7	7.7	9.1	7.3

Performance Graph at 230V, 60Hz, 1.0HP (Typical performance - Not guaranteed values)





CUSTOMER IS RESPONSIBLE FOR DETERMINING THAT BALDOR'S PRODUCT WILL PERFORM SUITABLY IN THE INTENDED APPLICATION.

REV. DESC: UPDATE KOLD GRAPHICS		
REV. LTR: K	VERSION: 02	TDR: 000000486011
FILE: \AAA\00002\238		REVISED: 14:12:04 12/31/2008
MTL: -		BY: ENCHEBO

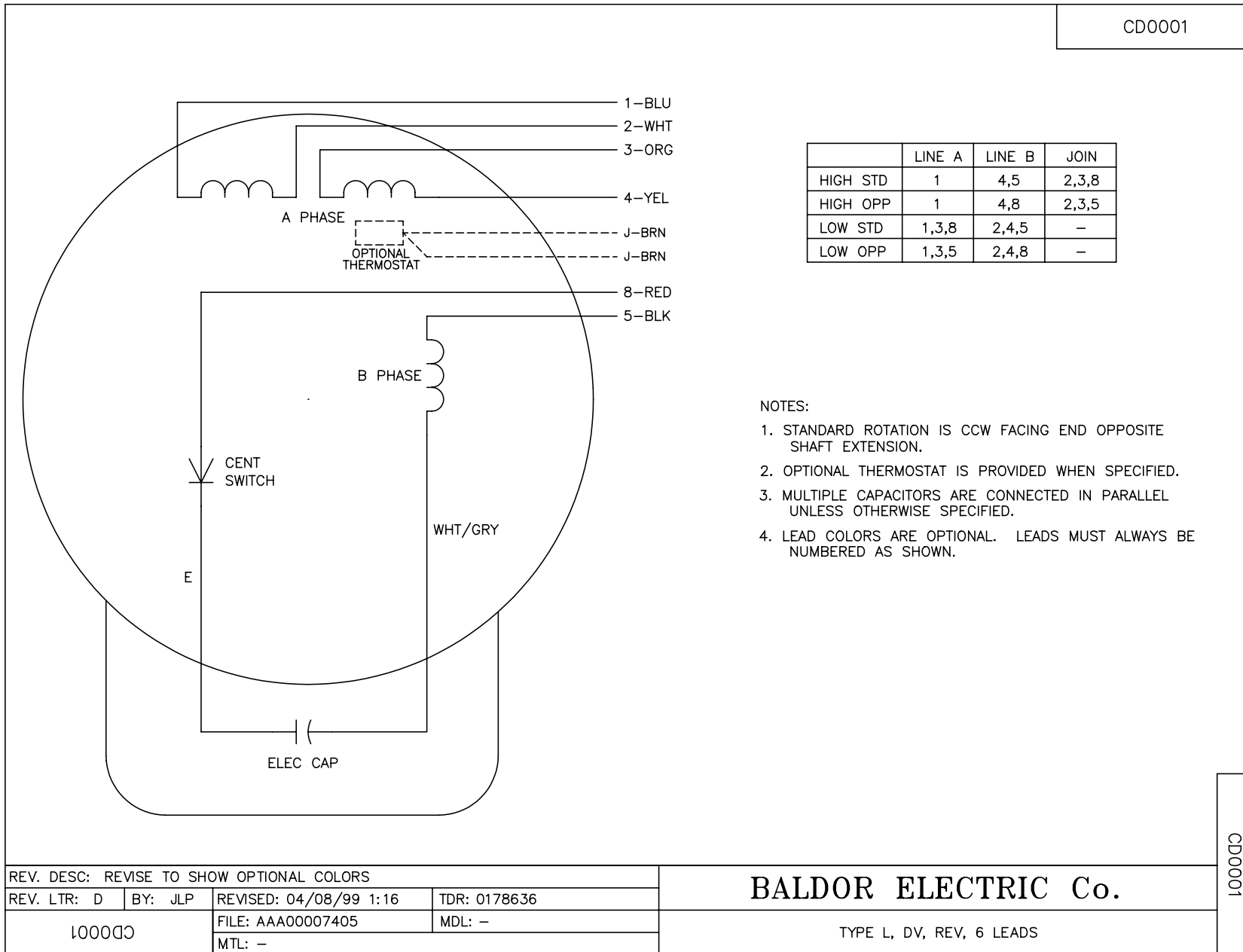
BALDOR • DODGE • RELIANCE

STD HORZ 56C OPEN 35L FACE MTD

SH 1 of 1

35LYD012

CD0001



REV. DESC: REVISE TO SHOW OPTIONAL COLORS			
REV. LTR: D	BY: JLP	REVISED: 04/08/99 1:16	TDR: 0178636
100000		FILE: AAA00007405	MDL: -
		MTL: -	

BALDOR ELECTRIC Co.

TYPE L, DV, REV, 6 LEADS

CD0001