



# **BALDOR® • *RELIANCE***

## **Product Information Packet**

### **CL1408TM**

**3HP,1725RPM,1PH,60HZ,184TC,3634LC,OPEN**

Product Detail							
Revision:	Z	Status:	PRD/A	Change #:		Proprietary:	No
Type:	AC	Prod Type:	3634LC	Elec. Spec:	36WG2761	CD Diagram:	CD0016A03
Enclosure	OPEN	Mfg Plant:		Mech Spec:	36F984	Layout:	36LYF984
Frame:	184TC	Mounting:	F1	Poles:	04	Created Date:	
Base:	RG	Rotation:	R	Insulation:	B	Eff. Date:	08-01-2008
Leads:	4#14,3#16,1#10	Literature:		Elec. Diagram:		Replaced By:	

Nameplate NP1257L									
CAT.NO.	CL1408TM								
SPEC.	36F984-2761								
HP	3								
VOLTS	115/230								
AMP	32/16								
RPM	1725								
FRAME	184TC	HZ			60	PH	1		
SER.F.	1.15	CODE			H	DES	L	CL	B
NEMA-NOM-EFF	78	PF			78				
RATING	40C AMB-CONT								
CC				USABLE AT 208V					
DE	6206	ODE			6205				
ENCL	OPEN	SN							

<b>Parts List</b>			
<b>Product ID</b>	<b>Description</b>	<b>Quantity</b>	<b>List Price</b>
SA035335	SA 36F984-2761	1.000	469.00
RA031362	RA 36F984-2761	1.000	391.00
TPCRT00CB	THERMAL 1PH 130 MAN 120C WELDED	1.000	21.00
TP5059	GENERIC THERMAL KIT	1.000	5.00
36CB3004A12	36 CB 1.09 @ 6, 1.00 MTO @ 3	1.000	14.00
51XB1016A08	10-16X 1/2HXWSSLD SERTYB	2.000	2.00
11XW1032G06	10-32 X .38, TAPTITE II, HEX WSHR SLTD U	1.000	3.00
HA6015A02	THERMAL RETAINER (PLATED)	1.000	2.00
NS2500A02	INSULATOR, MAN THER PROT	1.000	2.00
51XB1214A10	12-14 X 5/8HX WS SL SR TYBX	2.000	3.00
36EP3200A01SP	FR ENDPLATE, MACH	1.000	66.00
HW4500A01	1641B(ALEMITE)400 UNIV, GREASE FITT	1.000	2.00
SP1008A01	BAFFLE, MODEL 36 & 37	1.000	3.00
13XT0832A07	8-32X7/16 TYP 23 PAN HD SLT DX	2.000	3.00
10XN2520A12	1/4-20X 3/4 HEX HEAD CAP	2.000	2.00
HW5100A05	WVY WSHR F/205 & 304 BRGS	1.000	2.00
36EP3403A03	PU E.P., TC, OPEN, 206 BRG, LESS TIGHT S	1.000	145.00
HW4500A01	1641B(ALEMITE)400 UNIV, GREASE FITT	1.000	2.00
36AD2000	AIR BAFFLE	1.000	6.00
60XW0632A06	6-32 X 3/8 TORX HEAD SCREW TAPTITE II	4.000	
10XN2520A28	1/4-20X 1 3/4 HEX HD	4.000	2.00
HW1001A25	LOCKWASHER 1/4, ZINC PLT .493 OD, .255 I	4.000	2.00
36CB4516	36 LIPPED CB LID	1.000	2.00
51XW0832A07	8-32 X .44, TAPTITE II, HEX WSHR SLTD SE	4.000	2.00

<b>Parts List (continued)</b>			
<b>Product ID</b>	<b>Description</b>	<b>Quantity</b>	<b>List Price</b>
HW2501E16	KEY, 1/4 SQ X 1.750	1.000	2.00
HA7000A02	KEY RETAINER RING, 1 1/8 DIA, 1 3/8 DIA	1.000	2.00
10XF0440S02	04-40 X 1/8 TYPE F HEX HD STAINLESS STIC	2.000	2.00
MJ1000A02	GREASE, POLYREX EM EXXON	0.050	10.00
MG1000G27	PAINT- S9282E CHARCOAL GREY	0.022	4,000.00
36CB5010A01	CAPACITOR BOX KIT, 36CB3800, OC3020F12	1.000	135.00
SP5064A06	MODEL 36 TYPE LC STAT SWITCH LEAD ASSEMB	1.000	39.00
HA3101A25	THRUBOLT 1/4-20 X 11.000 OHIO ROD	4.000	2.00
LB1119	WARNING LABEL	1.000	2.00
LB1125C01	STD (STOCK) CARTON LABEL BALDOR WITH FLA	1.000	2.00
LC0016	CONNECTION LABEL	1.000	2.00
NP1257L	NP STD LASER ENGRAVED THERMAL PROTECTED,	1.000	25.00
36PA1001	PACKAGING GROUP	1.000	25.00

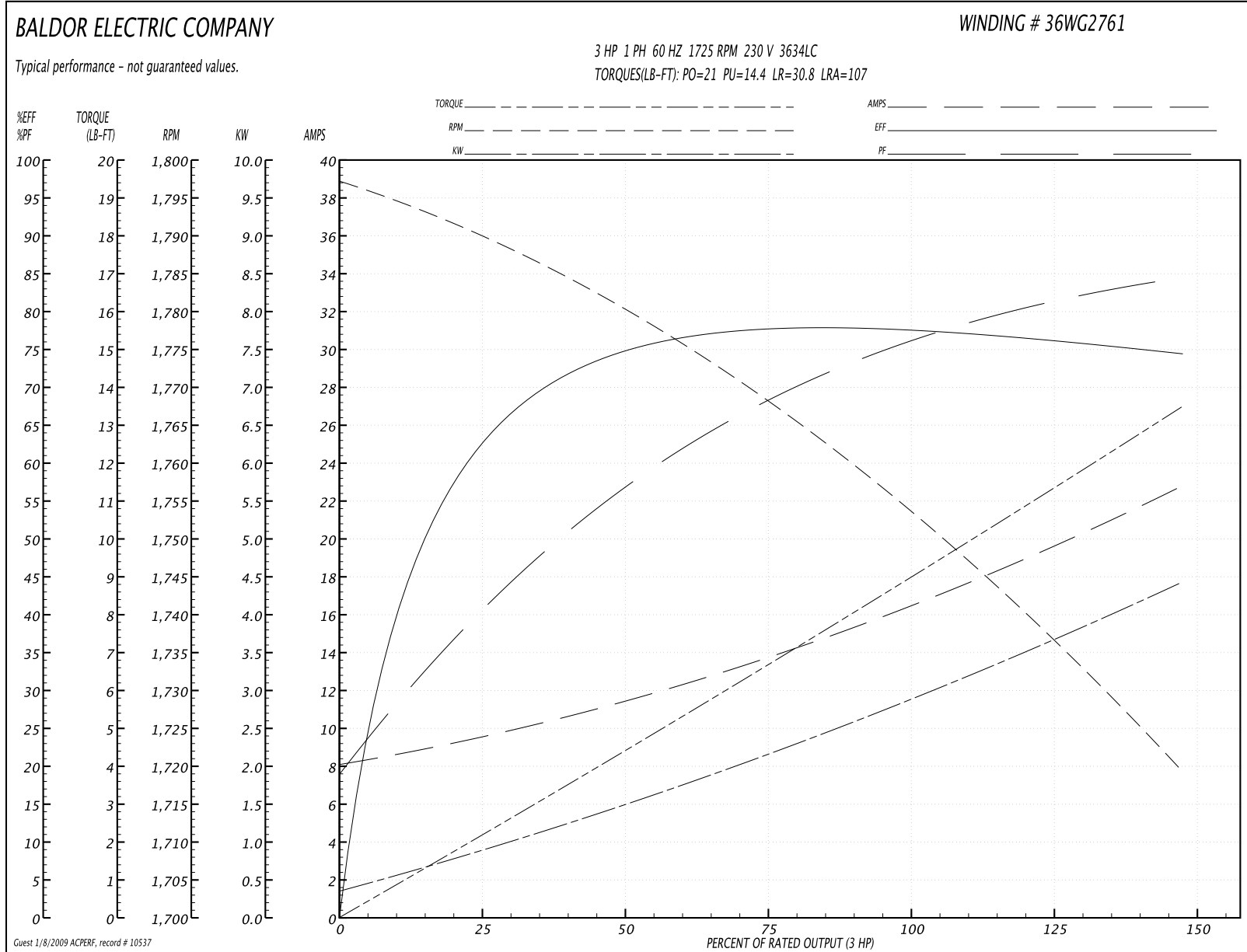
**Performance Data at 230V, 60Hz, 3.0HP (Typical performance - Not guaranteed values)**
**General Characteristics**

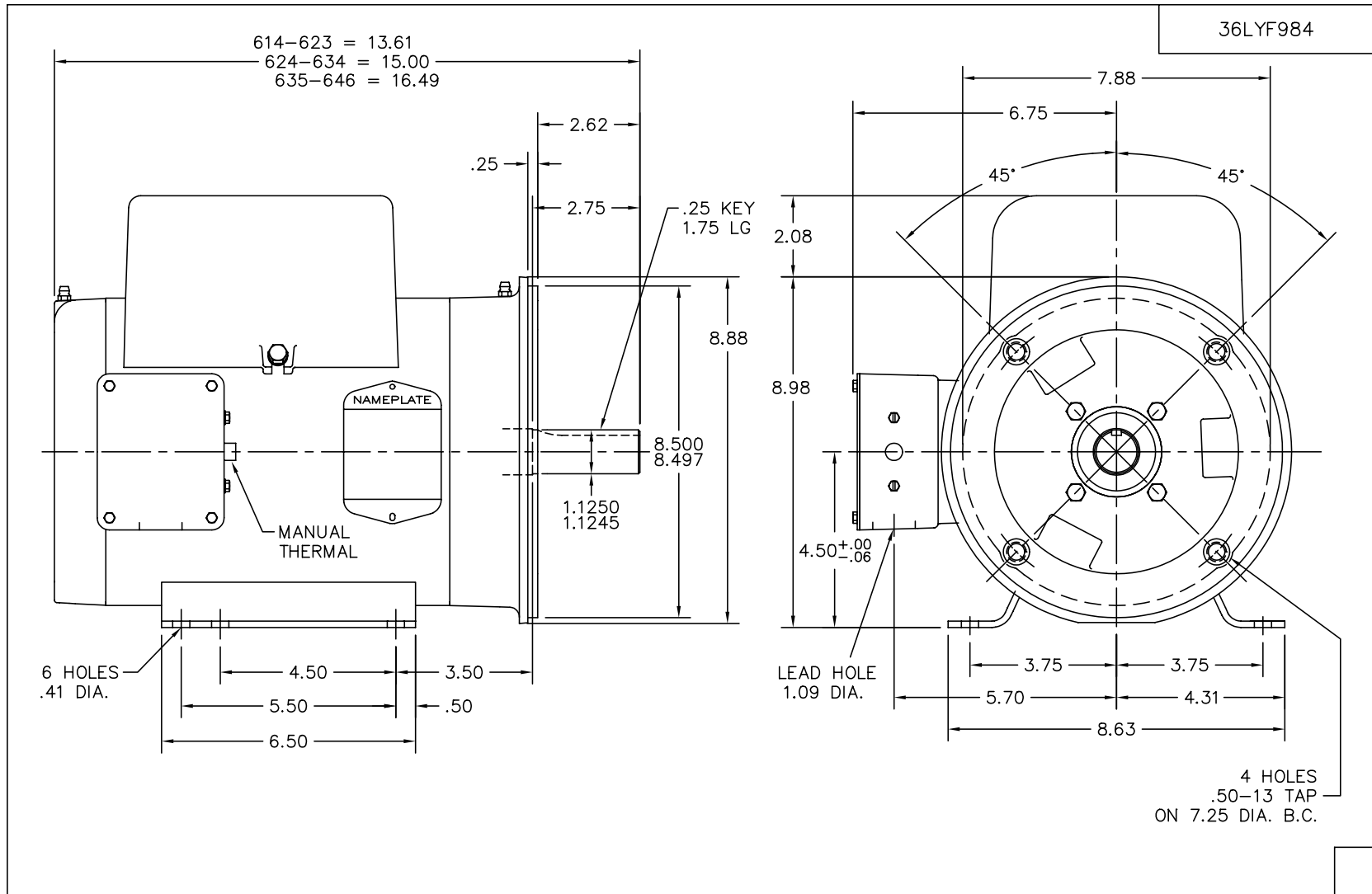
<b>Full Load Torque:</b>	9.0 LB-FT	<b>Start Configuration:</b>	DOL
<b>No-Load Current:</b>	8.5 Amps	<b>Break-Down Torque:</b>	21.0 LB-FT
<b>Line-line Res. @ 25°C.:</b>	4.156 Ohms A Ph / 0.586 Ohms B Ph	<b>Pull-Up Torque:</b>	14.4 LB-FT
<b>Temp. Rise @ Rated Load:</b>	0°C	<b>Locked-Rotor Torque:</b>	30.8 LB-FT
<b>Temp. Rise @ S.F. Load:</b>	0°C	<b>Starting Current:</b>	107.0 Amps

**Load Characteristics**

<b>% of Rated Load:</b>	<b>25</b>	<b>50</b>	<b>75</b>	<b>100</b>	<b>125</b>	<b>150</b>	<b>S.F.</b>
<b>Power Factor:</b>	45.0	64.0	73.0	79.0	85.0	83.0	83.0
<b>Efficiency:</b>	62.6	74.9	78.6	78.0	75.0	74.9	76.1
<b>Speed:</b>	1788.0	1780.0	1769.0	1756.0	1733.0	1721.0	1742.0
<b>Line Amperes:</b>	9.1	10.4	15.8	16.0	19.0	23.0	17.8

Performance Graph at 230V, 60Hz, 3.0HP (Typical performance - Not guaranteed values)

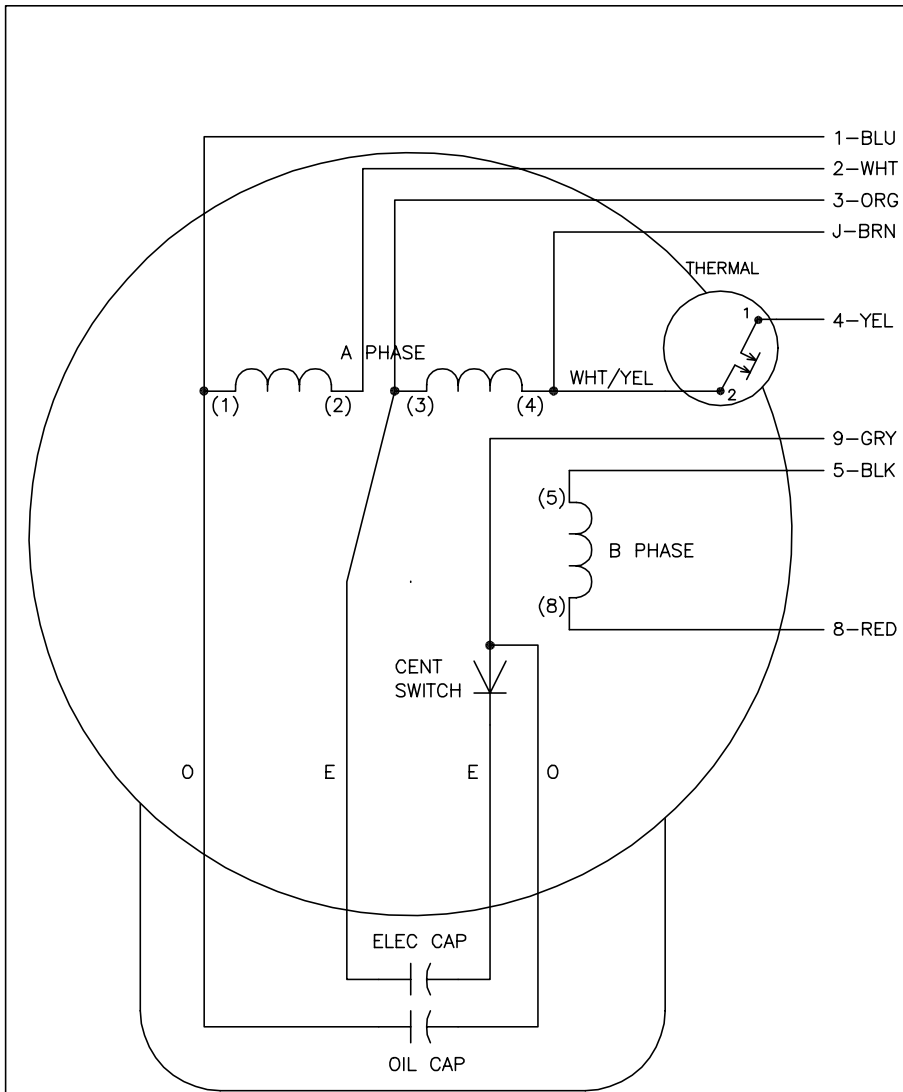




CUST. NAME		CUST. P.O.		CERTIFIED BY		MODEL		INSUL		AMB		
H.P.		MTG		TYPE		R.P.M.		VOLTS		ENCL		
PHASE		FREQ		FRAME		REV. DESC: CHG'D CONDUIT BOX (SEE EC09)						
REV. LTR: D		BY: JED		REVISED: 01/28/99 9:47		TDR: 0171563						
FILE: AAA00015946		MDL: -						<b>BALDOR ELECTRIC Co.</b> STD HORZ 36LC 182-4TC OPEN FACE MTD W/1.00 MTO				
36LYF984		MTL: -										

36LYF984

CD0016A03

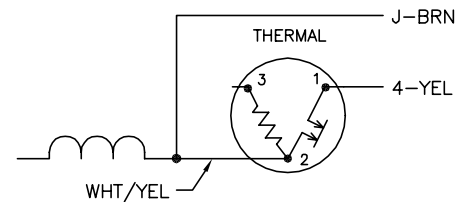


	LINE A	LINE B	JOIN	JOIN	JOIN
HIGH STD	1	4	2,3	8,9	J,5
HIGH OPP	1	4	2,3	5,9	J,8
LOW STD	1,3	4	8,9	2,J,5	-
LOW OPP	1,3	4	5,9	2,J,8	-

NOTES:

1. STANDARD ROTATION IS CCW FACING END OPPOSITE SHAFT EXTENSION.
2. MULTIPLE CAPACITORS ARE CONNECTED IN PARALLEL UNLESS OTHERWISE SPECIFIED.
3. LEAD COLORS ARE OPTIONAL. LEADS MUST ALWAYS BE NUMBERED AS SHOWN.

BYPASSING THE HEATER OF A THREE TERMINAL THERMAL



REV. DESC: NEW		VERSION: 00		TDR: 000000360649	
REV. LTR: -		FILE: \AAA\00126\040		REVISED: 10:27:12 04/18/2005	
CD0016A03		MTL: -		BY: ENJOEPO	

**BALDOR ELECTRIC Co.**

TYPE LC, DV, REV,OIL CAP ACR. LINE, 2-TERMINAL THERMAL,8 LDS

CD0016A03