



# **BALDOR® • *RELIANCE***

## **Product Information Packet**

### **CL3514**

**1.5HP,1725RPM,1PH,60HZ,56C,3532LC,TEFC**

Product Detail									
Revision:	AE	Status:	PRD/A	Change #:		Proprietary:	No		
Type:	AC	Prod Type:	3532LC	Elec. Spec:	35WGX944	CD Diagram:	CD0016A01		
Enclosure	TEFC	Mfg Plant:		Mech Spec:	35E024	Layout:	35LYE024		
Frame:	56C	Mounting:	F1	Poles:	04	Created Date:			
Base:	RG	Rotation:	R	Insulation:	B	Eff. Date:	12-05-2008		
Leads:	4#16,3#18	Literature:		Elec. Diagram:		Replaced By:			
Nameplate NP1256L									
CAT.NO.	CL3514								
SPEC.	35E24X944								
HP	1 1/2								
VOLTS	115/230								
AMP	18/8								
RPM	1725								
FRAME	56C	HZ			60	PH	1		
SER.F.	1.15	CODE			J	DES	L	CLASS	B
NEMA-NOM-EFF	75.5	PF			80				
RATING	40C AMB-CONT								
CC				USABLE AT 208V	8.4				
DE	6205	ODE			6203				
ENCL	TEFC	SN							

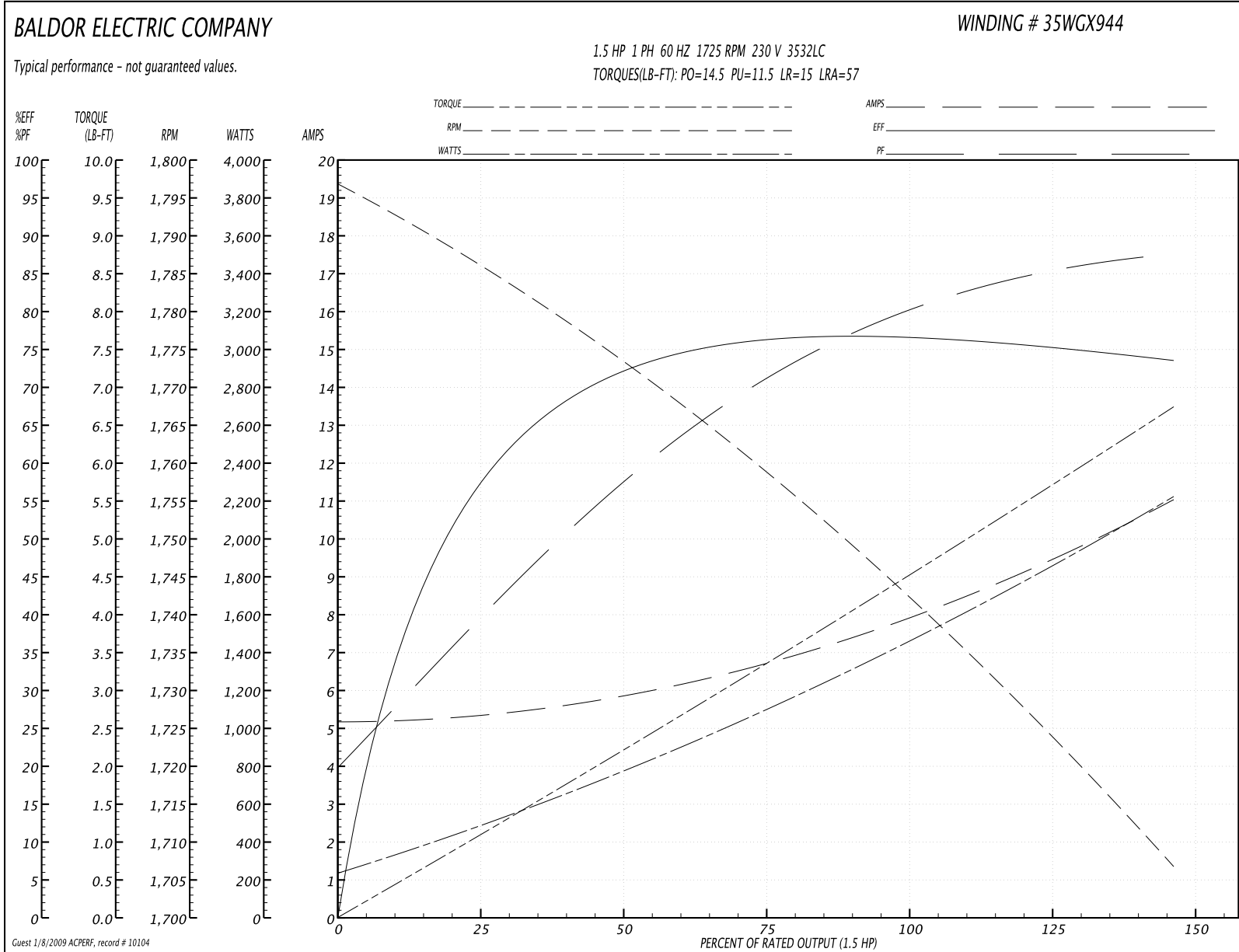
<b>Parts List</b>			
<b>Product ID</b>	<b>Description</b>	<b>Quantity</b>	<b>List Price</b>
SA023826	SA 35E24X944	1.000	328.00
RA019876	RA 35E24X944	1.000	171.00
OC3015F12SP	CYL OIL CAP 15MFD/370V	1.000	12.00
EC1645A06SP	ELEC CAP, 645-774 MFD, 125V, 2.06D X 4.	1.000	31.00
NS2512A01	INSULATOR, CONDUIT BOX X X	1.000	2.00
35CB3007	35 CB CASTING W/.88 DIA. LEAD HOLE	1.000	27.00
36GS1000SP	GASKET-CONDUIT BOX, .06 THICK #SV-330 LE	1.000	5.00
51XB1016A07	10-16 X 7/16 HXWSSLD SERTYB	2.000	2.00
11XW1032G06	10-32 X .38, TAPTITE II, HEX WSHR SLTD U	1.000	3.00
35EP3100M02	FREP TEFC 203 BRG W/O GRSR (RAISED FH MT	1.000	28.00
51XW0832A07	8-32 X .44, TAPTITE II, HEX WSHR SLTD SE	2.000	2.00
35CB3801SP	CAPACITOR COVER, CAST	1.000	22.00
34GS3002	GASKET, CAPACITOR BOX	1.000	2.00
HA7010	CAPACITOR RETENTION CLAMP	1.000	2.00
NS2501A02	INSULATOR, CAPACITOR BOX	1.000	2.00
51XB1016A08	10-16X 1/2HXWSSLD SERTYB	2.000	2.00
HW5100A03SP	WAVY WASHER (W1543-017)	1.000	2.00
35EP3300A33	SPL FACE MTD EP -ENCL-205 BRG	1.000	80.00
51XN1032A20	10-32 X 1 1/4 HX WS SL SR	2.000	2.00
35FN3002A05SP	EXTERNAL FAN, PLASTIC, FOR .637 DIA JOUR	1.000	22.00
51XB1214A16	12-14X1.00 HXWSSLD SERTYB	1.000	2.00
35FH4005A32SP	IEC FH NO GRSR W/3 HOLES - W/AUTOPHERETI	1.000	23.00
51XW1032A06	10-32 X .38, TAPTITE II, HEX WSHR SLTD S	3.000	3.00
35CB4521	35 LIPPED CB LID (GALV & PHOSPH)	1.000	2.00

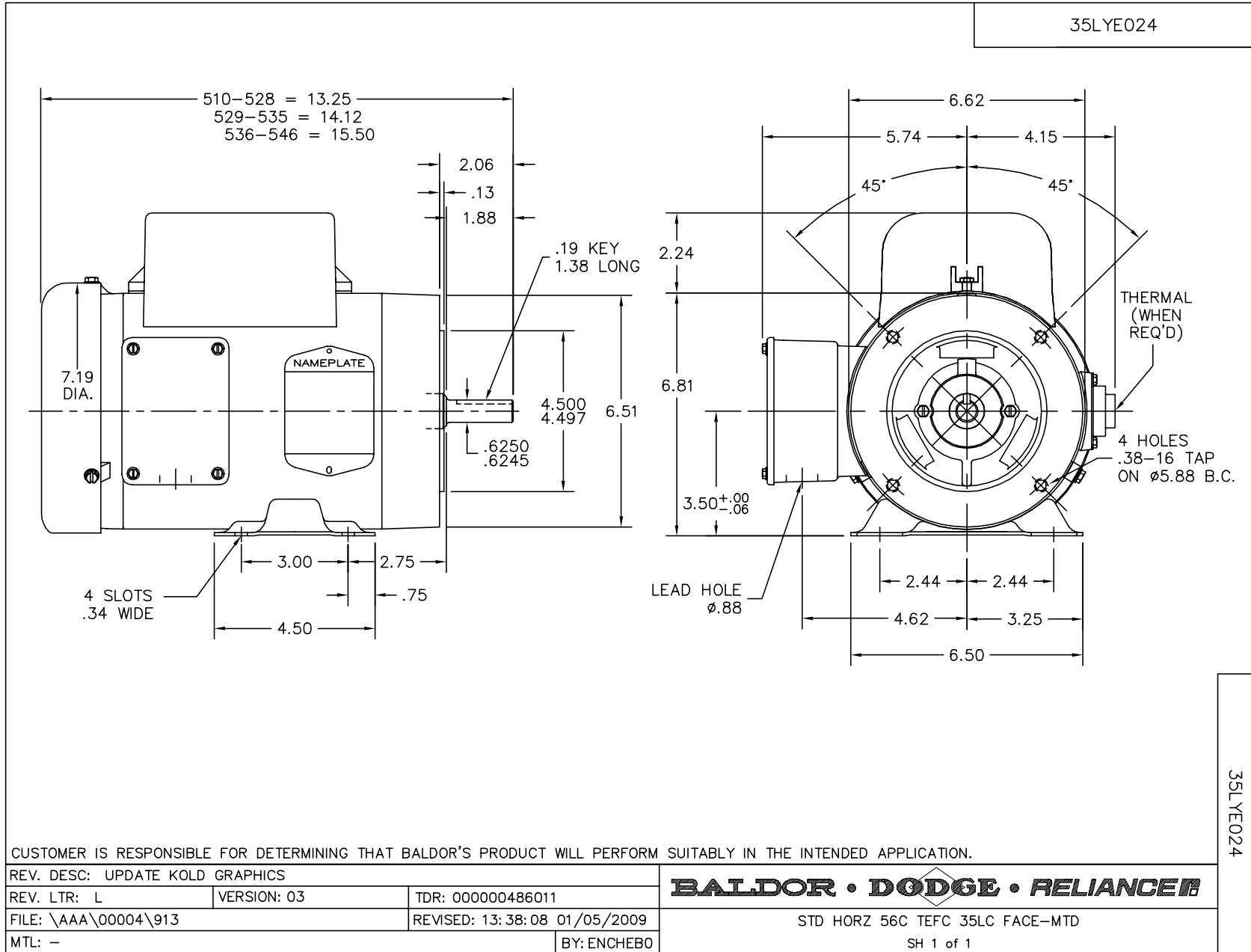
Parts List (continued)			
Product ID	Description	Quantity	List Price
35GS1030	35 GS FOR CB LID - LEXIDE	1.000	2.00
51XW0832A07	8-32 X .44, TAPTITE II, HEX WSHR SLTD SE	4.000	2.00
HW2501D13SP	KEY, 3/16 SQ X 1.375	1.000	2.00
HA7000A04	KEY RETAINER 0.625 DIA SHAFTS	1.000	2.00
10XF0440S02	04-40 X 1/8 TYPE F HEX HD STAINLESS STIC	2.000	2.00
MJ1000A02	GREASE, POLYREX EM EXXON	0.050	10.00
MG1000G27	PAINT- S9282E CHARCOAL GREY	0.017	4,000.00
HA3100A18	THRUBOLT 10-32 X 9.250	4.000	2.00
WD1000A15	3-520132-2 AMP FLAG (4M/RL NON-CANC/NON-	4.000	2.00
34GS5003	FOAM SLEEVE, ID = 2 1/16" X 3 3/8"	2.000	2.00
SP5056A61	MODEL 35 LC STATIONARY SWITCH LEAD ASSY	1.000	25.00
LB1119	WARNING LABEL	1.000	2.00
LB1125C01	STD (STOCK) CARTON LABEL BALDOR WITH FLA	1.000	2.00
LC0016	CONNECTION LABEL	1.000	2.00
NP1256L	NP STD LASER ENGRAVED, UL CSA CC, W/O TH	1.000	3.00
36PA1000	PACK GROUP W/LB5001	1.000	17.00

**Performance Data at 230V, 60Hz, 1.5HP (Typical performance - Not guaranteed values)**

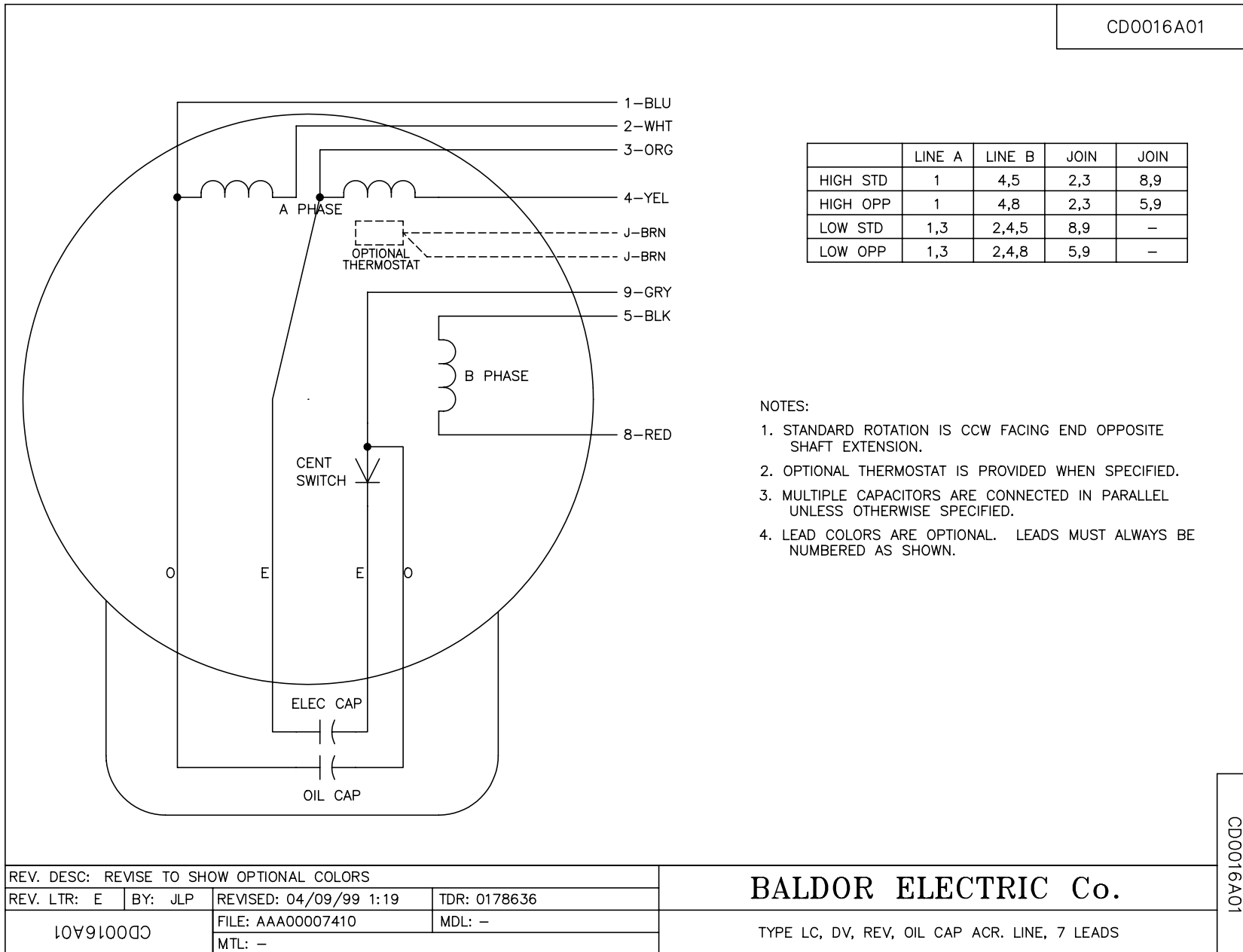
General Characteristics							
<b>Full Load Torque:</b>	4.5 LB-FT			<b>Start Configuration:</b>	DOL		
<b>No-Load Current:</b>	5.2 Amps			<b>Break-Down Torque:</b>	14.5 LB-FT		
<b>Line-line Res. @ 25°C.:</b>	1.41 Ohms A Ph / 1.18 Ohms B Ph			<b>Pull-Up Torque:</b>	11.5 LB-FT		
<b>Temp. Rise @ Rated Load:</b>	76°C			<b>Locked-Rotor Torque:</b>	15.0 LB-FT		
<b>Temp. Rise @ S.F. Load:</b>	90°C			<b>Starting Current:</b>	57.0 Amps		
Load Characteristics							
<b>% of Rated Load:</b>	<b>25</b>	<b>50</b>	<b>75</b>	<b>100</b>	<b>125</b>	<b>150</b>	<b>S.F.</b>
<b>Power Factor:</b>	42.0	59.0	72.0	80.0	85.0	88.0	83.0
<b>Efficiency:</b>	59.1	71.6	76.1	76.6	75.7	73.4	76.1
<b>Speed:</b>	1784.0	1773.0	1759.0	1743.0	1726.0	1706.0	1733.0
<b>Line Amperes:</b>	5.3	5.9	6.7	7.9	9.4	11.0	8.8

Performance Graph at 230V, 60Hz, 1.5HP (Typical performance - Not guaranteed values)





CDO016A01



REV. DESC: REVISE TO SHOW OPTIONAL COLORS			
REV. LTR: E	BY: JLP	REVISED: 04/09/99 1:19	TDR: 0178636
10V91000		FILE: AAA00007410	MDL: -
CDO016A01		MTL: -	

**BALDOR ELECTRIC Co.**

TYPE LC, DV, REV, OIL CAP ACR. LINE, 7 LEADS

CDO016A01