



# **BALDOR® • *RELIANCE***

## **Product Information Packet**

### **CL3608TM**

**5HP,3450RPM,1PH,60HZ,184TC,3640LC,TEFC**



**Product Detail**

<b>Revision:</b>	W	<b>Status:</b>	PRD/A	<b>Change #:</b>		<b>Proprietary:</b>	No
<b>Type:</b>	AC	<b>Prod Type:</b>	3640LC	<b>Elec. Spec:</b>	36WGW957	<b>CD Diagram:</b>	CD0002A02
<b>Enclosure</b>	TEFC	<b>Mfg Plant:</b>		<b>Mech Spec:</b>	36M038	<b>Layout:</b>	36LYM038
<b>Frame:</b>	184TC	<b>Mounting:</b>	F1	<b>Poles:</b>	02	<b>Created Date:</b>	
<b>Base:</b>	RG	<b>Rotation:</b>	R	<b>Insulation:</b>	F	<b>Eff. Date:</b>	11-06-2008
<b>Leads:</b>	2#14,3#16	<b>Literature:</b>		<b>Elec. Diagram:</b>		<b>Replaced By:</b>	

**Nameplate NP1257L**

<b>CAT.NO.</b>	CL3608TM						
<b>SPEC.</b>	36M38W957						
<b>HP</b>	5						
<b>VOLTS</b>	230						
<b>AMP</b>	19.5						
<b>RPM</b>	3450						
<b>FRAME</b>	184TC	<b>HZ</b>	60	<b>PH</b>	1		
<b>SER.F.</b>	1.00	<b>CODE</b>	G	<b>DES</b>	L	CL	F
<b>NEMA-NOM-EFF</b>	83	<b>PF</b>	99				
<b>RATING</b>	40C AMB-CONT						
<b>CC</b>			<b>USABLE AT 208V</b>				
<b>DE</b>	6206	<b>ODE</b>	6205				
<b>ENCL</b>	TEFC	<b>SN</b>					

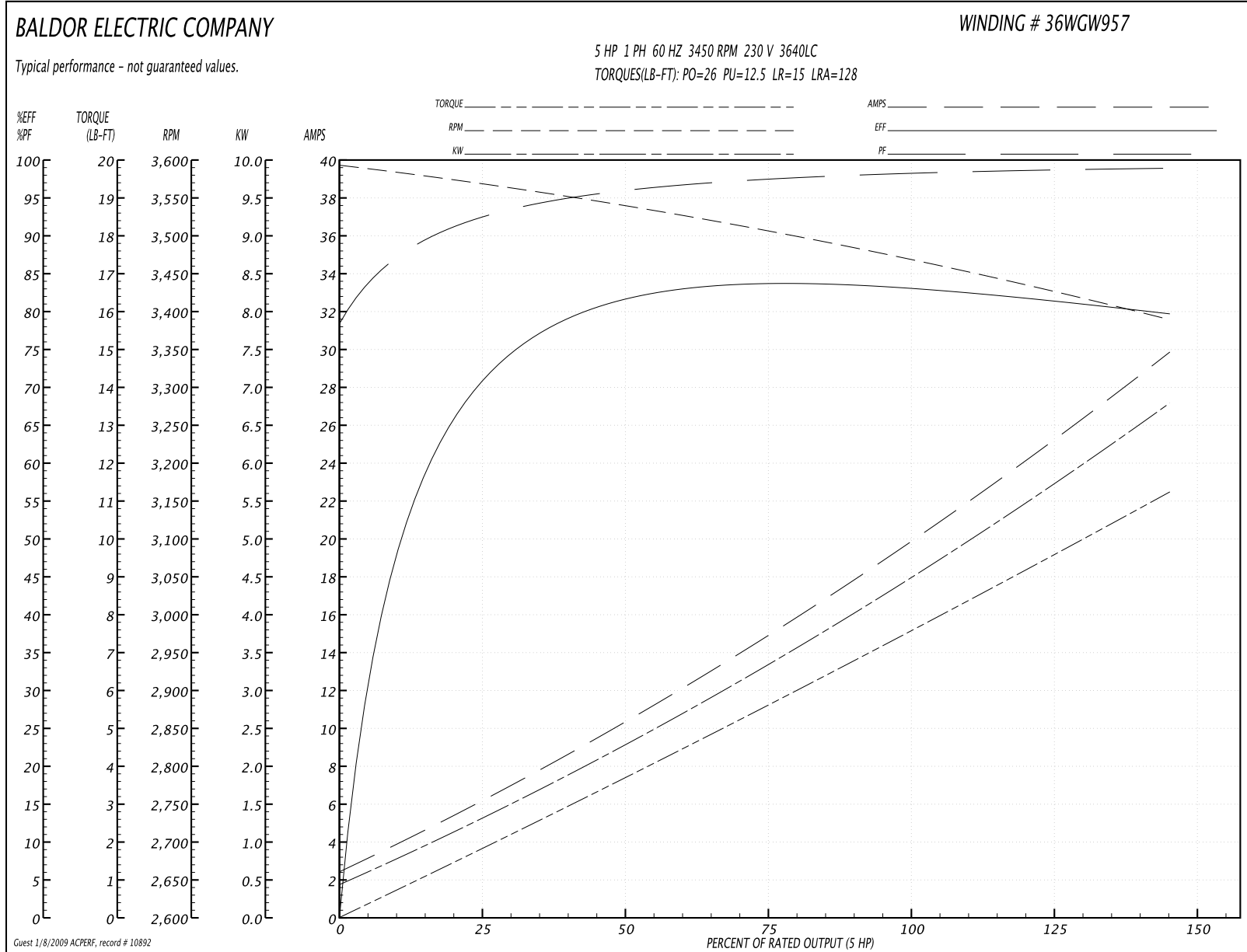
<b>Parts List</b>			
<b>Product ID</b>	<b>Description</b>	<b>Quantity</b>	<b>List Price</b>
SA037199	SA 36M38W957	1.000	686.00
RA033224	RA 36M38W957	1.000	234.00
OC3040F09SP	CYL OIL CAP 40MFD/370V	1.000	34.00
TPBRT25DB	THERMAL 1PH 1.25 MAN 120CWELDED	1.000	64.00
EC1161C06SP	ELEC CAP, 161-193 MFD, 250V, 2.06D X 4.	2.000	37.00
TP5059	GENERIC THERMAL KIT	1.000	5.00
36CB3004A02	36 CB 1.09 @ 6, 1.25 MTO @ 3	1.000	13.00
36GS1000SP	GASKET-CONDUIT BOX, .06 THICK #SV-330 LE	1.000	5.00
51XB1016A08	10-16X 1/2HXWSSLD SERTYB	2.000	2.00
11XW1032G06	10-32 X .38, TAPTITE II, HEX WSHR SLTD U	1.000	3.00
HA6015A09	THERMAL RETAINER	1.000	2.00
51XB1214A10	12-14 X 5/8HX WS SL SR TYBX	2.000	3.00
36EP3104A01	FREP MACH W/GRSR, RAISED FH PADS	1.000	51.00
HW4500A01	1641B(ALEMITE)400 UNIV, GREASE FITT	1.000	2.00
51XW0832A07	8-32 X .44, TAPTITE II, HEX WSHR SLTD SE	2.000	2.00
36GS3000	GASKET, CAPACITOR COVER LEXIDE	1.000	2.00
10XN2520A12	1/4-20X 3/4 HEX HEAD CAP	2.000	2.00
HW5100A05	WVY WSHR F/205 & 304 BRGS	1.000	2.00
36EP3301A01SP	PU ENDPLATE, ENCL. 182-4TC 206 BRG. W/GR	1.000	153.00
HW4500A01	1641B(ALEMITE)400 UNIV, GREASE FITT	1.000	2.00
10XN2520A24	1/4-20X 1 1/2 HEX HD X	4.000	2.00
HW1001A25	LOCKWASHER 1/4, ZINC PLT .493 OD, .255 I	4.000	2.00
51XB1214A16	12-14X1.00 HXWSSLD SERTYB	1.000	2.00
36FH4009A102SP	IEC FH GREASER W/AUTOPHERETIC PRIMER	1.000	14.00

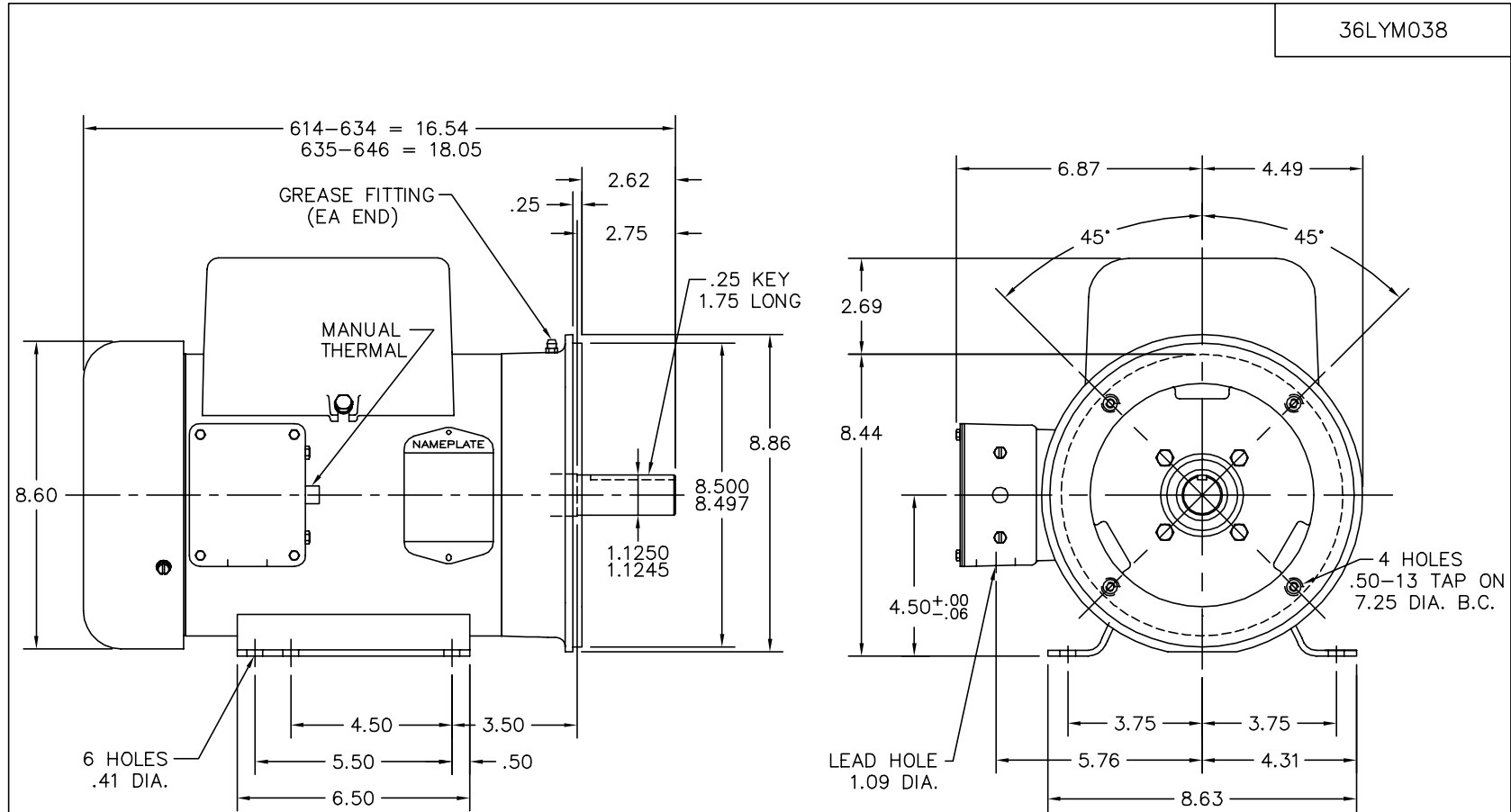
<b>Parts List (continued)</b>			
<b>Product ID</b>	<b>Description</b>	<b>Quantity</b>	<b>List Price</b>
51XW1032A06	10-32 X .38, TAPTITE II, HEX WSHR SLTD S	3.000	3.00
36CB4516	36 LIPPED CB LID	1.000	2.00
37GS1001SP	GASKET, CONDUIT BOX LID, .06 THICK LEXID	1.000	3.00
51XW0832A07	8-32 X .44, TAPTITE II, HEX WSHR SLTD SE	4.000	2.00
HW2501E16	KEY, 1/4 SQ X 1.750	1.000	2.00
HA7000A02	KEY RETAINER RING, 1 1/8 DIA, 1 3/8 DIA	1.000	2.00
10XF0440S02	04-40 X 1/8 TYPE F HEX HD STAINLESS STIC	2.000	2.00
WD1000A15	3-520132-2 AMP FLAG (4M/RL NON-CANC/NON-	2.000	2.00
36CB3800SP	CAPACITOR COVER, CAST	1.000	35.00
HA7010A01	CAPACITOR RETENTION CLAMP, 6.562 LONG	1.000	2.00
MJ1000A02	GREASE, POLYREX EM EXXON	0.050	10.00
MG1000G27	PAINT- S9282E CHARCOAL GREY	0.022	4,000.00
HA3101A28	THRUBOLT 1/4-20 X 12.500 OHIO ROD	4.000	2.00
35FN3002A04SP	EXT. FAN, PLASTIC, FOR .907/.905 JOURNAL	1.000	22.00
SP5064A04	MODEL 36 TYPE LC STAT SWITCH LEAD ASSEMB	1.000	39.00
LB1087	LABEL, MANUAL RESET (ROLL LABEL)	1.000	2.00
LB1119	WARNING LABEL	1.000	2.00
LB1125C01	STD (STOCK) CARTON LABEL BALDOR WITH FLA	1.000	2.00
LC0002	CONNECTION LABEL	1.000	2.00
NP1257L	NP STD LASER ENGRAVED THERMAL PROTECTED,	1.000	25.00
36PA1001	PACKAGING GROUP	1.000	25.00

**Performance Data at 230V, 60Hz, 5.0HP (Typical performance - Not guaranteed values)**

General Characteristics							
<b>Full Load Torque:</b>	7.5 LB-FT			<b>Start Configuration:</b>	DOL		
<b>No-Load Current:</b>	2.3 Amps			<b>Break-Down Torque:</b>	26.0 LB-FT		
<b>Line-line Res. @ 25°C.:</b>	0.38 Ohms A Ph / 1.02 Ohms B Ph			<b>Pull-Up Torque:</b>	12.5 LB-FT		
<b>Temp. Rise @ Rated Load:</b>	67°C			<b>Locked-Rotor Torque:</b>	15.0 LB-FT		
<b>Temp. Rise @ S.F. Load:</b>	0°C			<b>Starting Current:</b>	128.0 Amps		
Load Characteristics							
<b>% of Rated Load:</b>	<b>25</b>	<b>50</b>	<b>75</b>	<b>100</b>	<b>125</b>	<b>150</b>	<b>S.F.</b>
<b>Power Factor:</b>	98.0	98.0	98.0	98.0	97.0	97.0	0.0
<b>Efficiency:</b>	66.4	81.5	83.9	83.9	82.1	79.2	0.0
<b>Speed:</b>	3565.0	3539.0	3507.0	3472.0	3430.0	3389.0	0.0
<b>Line Amperes:</b>	6.5	10.4	14.9	19.6	24.7	29.9	0.0

Performance Graph at 230V, 60Hz, 5.0HP (Typical performance - Not guaranteed values)





CUSTOMER IS RESPONSIBLE FOR DETERMINING THAT MOTOR PERFORMANCE IS SUITABLE IN THE APPLICATION.

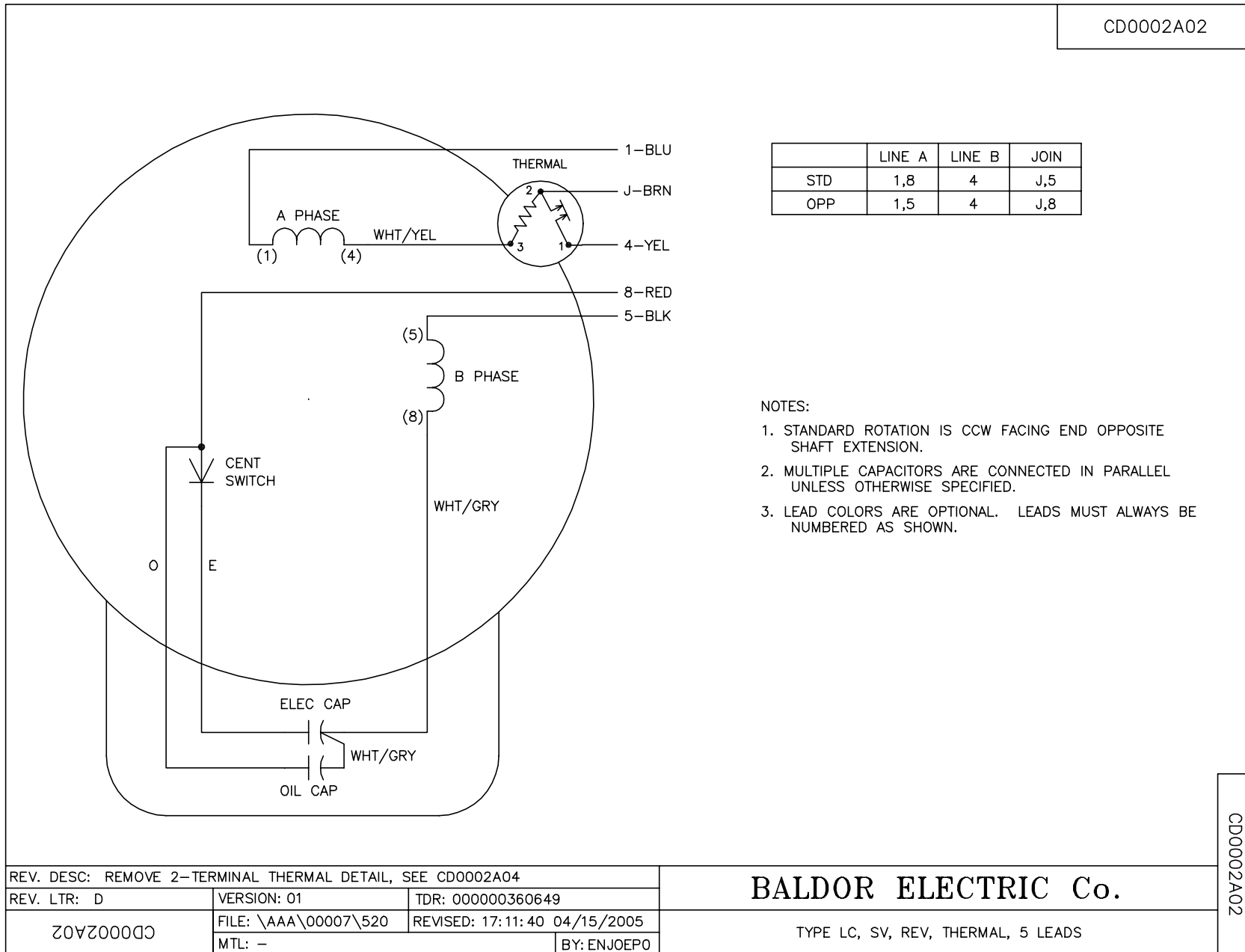
REV. DESC: 36EP3104A01 WAS 36EP3101A01, 36FH4009A102 WAS A03			
REV. LTR: J	VERSION: 01	TDR: 000000381957	
36LYM038	FILE: \AAA\00014\376	REVISED: 09:42:50 12/02/2005	
	MTL: -	BY: ENCHRC0	

**BALDOR ELECTRIC Co.**

STD HORZ 36LC 182-4TC TEFC 36LC W/1.25 MTO

36LYM038

CD0002A02



	LINE A	LINE B	JOIN
STD	1,8	4	J,5
OPP	1,5	4	J,8

NOTES:

1. STANDARD ROTATION IS CCW FACING END OPPOSITE SHAFT EXTENSION.
2. MULTIPLE CAPACITORS ARE CONNECTED IN PARALLEL UNLESS OTHERWISE SPECIFIED.
3. LEAD COLORS ARE OPTIONAL. LEADS MUST ALWAYS BE NUMBERED AS SHOWN.

REV. DESC: REMOVE 2-TERMINAL THERMAL DETAIL, SEE CD0002A04		
REV. LTR: D	VERSION: 01	TDR: 000000360649
Z0VZ00000	FILE: \AAA\00007\520	REVISED: 17:11:40 04/15/2005
CD0002A02	MTL: -	BY: ENJOEPO

**BALDOR ELECTRIC Co.**

TYPE LC, SV, REV, THERMAL, 5 LEADS

CD0002A02