



# **BALDOR® • *RELIANCE***

## **Product Information Packet**

### **CL3711T**

**10HP,3450RPM,1PH,60HZ,215TC,3744LC,TEFC**

Product Detail							
Revision:	AB	Status:	PRD/A	Change #:		Proprietary:	No
Type:	AC	Prod Type:	3744LC	Elec. Spec:	37WGW578	CD Diagram:	CD0086
Enclosure	TEFC	Mfg Plant:		Mech Spec:	37F395	Layout:	37LYF395
Frame:	215TC	Mounting:	F1	Poles:	02	Created Date:	
Base:	RG	Rotation:	R	Insulation:	F	Eff. Date:	12-17-2008
Leads:	2#10,2#14	Literature:		Elec. Diagram:		Replaced By:	

Nameplate NP1256L									
CAT.NO.	CL3711T								
SPEC.	37F395W578								
HP	10								
VOLTS	230								
AMP	40								
RPM	3450								
FRAME	215TC	HZ	60	PH	1				
SER.F.	1.00	CODE	H	DES	L	CLASS	F		
NEMA-NOM-EFF	82	PF	98						
RATING	40C AMB-CONT								
CC			USABLE AT 208V						
DE	6307	ODE	6206						
ENCL	TEFC	SN							

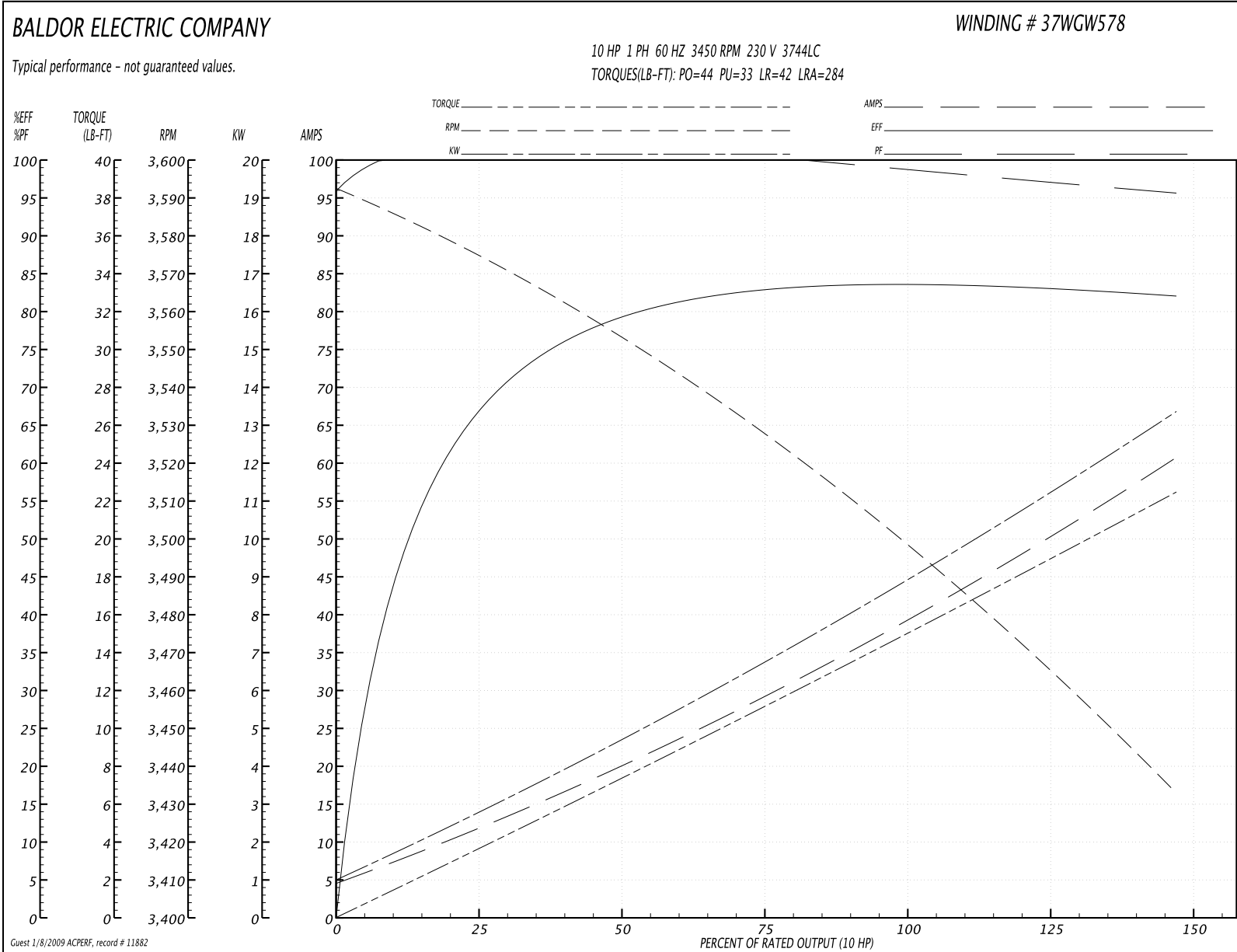
<b>Parts List</b>			
<b>Product ID</b>	<b>Description</b>	<b>Quantity</b>	<b>List Price</b>
SA031452	SA 37F395W578	1.000	1,116.00
RA027491	RA 37F395W578	1.000	893.00
OC3030F11SP	CYL OIL CAP 30MFD/370V	2.000	30.00
EC1216C06SP	ELEC CAP, 216-259 MFD, 250V, 2.06D X 4.	3.000	42.00
37EP3101A01SP	FR ENDPLATE,TEFC, 37 L&M, W/GREASER	1.000	119.00
HW4500A01	1641B(ALEMITE)400 UNIV, GREASE FITT	1.000	2.00
13XT0832A07	8-32X7/16 TYP 23 PAN HD SLT DX	2.000	3.00
37CB5001A21	ENCL, A01 BOX W/LID, GASKETS & 1.09 LEAD	1.000	81.00
HW5100A06	W2420-025 WVY WSHR (WB)	1.000	2.00
37EP3300A01	FACE MT ENDPLATE-ENCL-307 BRG-213TC-215T	1.000	111.00
HW4500A01	1641B(ALEMITE)400 UNIV, GREASE FITT	1.000	2.00
10XN2520A30	HEX HD CAP SCREW-STD THD-.25 X 20 THD PE	4.000	2.00
HW1001A25	LOCKWASHER 1/4, ZINC PLT .493 OD, .255 I	4.000	2.00
XY3118A12	5/16-18 HEX NUT DIRECTIONAL SERRATION	4.000	2.00
37FN3002A01SP		1.000	27.00
51XB1214A20	12-14X1.25 HXWSSLD SERTYB	1.000	2.00
07FH4007A06	IEC FH W/GRS, NOT @6, 3 F/C HOL & NOT FO	1.000	15.00
51XW1032A06	10-32 X .38, TAPTITE II, HEX WSHR SLTD S	3.000	3.00
HW2501F21	KEY, 5/16 SQ X 2.375	1.000	4.00
HA7000A02	KEY RETAINER RING, 1 1/8 DIA, 1 3/8 DIA	1.000	2.00
LB1115	LABEL,LIFTING DEVICE (ON ROLLS0	1.000	2.00
HW3200A01	3/8-16X3/4 I-BLT WELDED F/S	1.000	3.00
MJ1000A02	GREASE, POLYREX EM EXXON	0.050	10.00
MG1000G27	PAINT- S9282E CHARCOAL GREY	0.028	4,000.00

<b>Parts List (continued)</b>			
<b>Product ID</b>	<b>Description</b>	<b>Quantity</b>	<b>List Price</b>
10XF0440S02	04-40 X 1/8 TYPE F HEX HD STAINLESS STIC	2.000	2.00
WD1000A15	3-520132-2 AMP FLAG (4M/RL NON-CANC/NON-	10.000	2.00
SP5064A35	MODEL 37 TYPE L,LC STAT SWITCH LEAD ASSE	1.000	35.00
NS2539	INSULATOR FOR 36-37 FRAMESWITCH (MH1011A	1.000	2.00
HA3104A17	5/16-18X13.250 T-BLT/OHIO	4.000	2.00
LB1119	WARNING LABEL	1.000	2.00
LB1125C01	STD (STOCK) CARTON LABEL BALDOR WITH FLA	1.000	2.00
LC0086	CONNECTION LABEL	1.000	2.00
NP1256L	NP STD LASER ENGRAVED, UL CSA CC, W/O TH	1.000	3.00
37PA1052	PACKAGING GROUP, 150 LB MTR 2 X 4 RUNNER	1.000	48.00

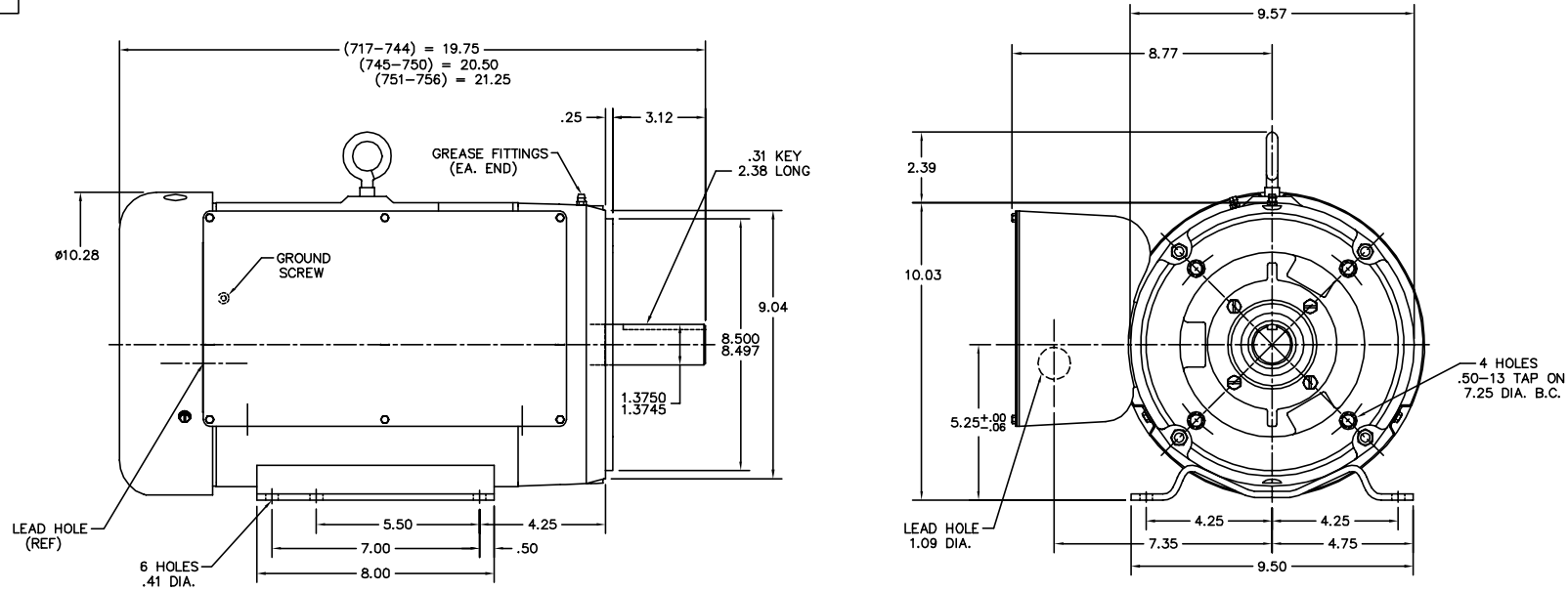
**Performance Data at 230V, 60Hz, 10.0HP (Typical performance - Not guaranteed values)**

General Characteristics							
<b>Full Load Torque:</b>	15.0 LB-FT			<b>Start Configuration:</b>	DOL		
<b>No-Load Current:</b>	4.3 Amps			<b>Break-Down Torque:</b>	44.0 LB-FT		
<b>Line-line Res. @ 25°C.:</b>	0.174 Ohms A Ph / 0.681 Ohms B Ph			<b>Pull-Up Torque:</b>	33.0 LB-FT		
<b>Temp. Rise @ Rated Load:</b>	102°C			<b>Locked-Rotor Torque:</b>	42.0 LB-FT		
<b>Temp. Rise @ S.F. Load:</b>	0°C			<b>Starting Current:</b>	284.0 Amps		
Load Characteristics							
<b>% of Rated Load:</b>	<b>25</b>	<b>50</b>	<b>75</b>	<b>100</b>	<b>125</b>	<b>150</b>	<b>S.F.</b>
<b>Power Factor:</b>	99.0	99.0	99.0	99.0	98.0	97.0	0.0
<b>Efficiency:</b>	66.6	78.9	82.9	83.9	83.4	81.8	0.0
<b>Speed:</b>	3573.0	3551.0	3527.0	3500.0	3469.0	3431.0	0.0
<b>Line Amperes:</b>	12.2	20.6	29.5	39.0	49.4	61.1	0.0

Performance Graph at 230V, 60Hz, 10.0HP (Typical performance - Not guaranteed values)



37LYF395



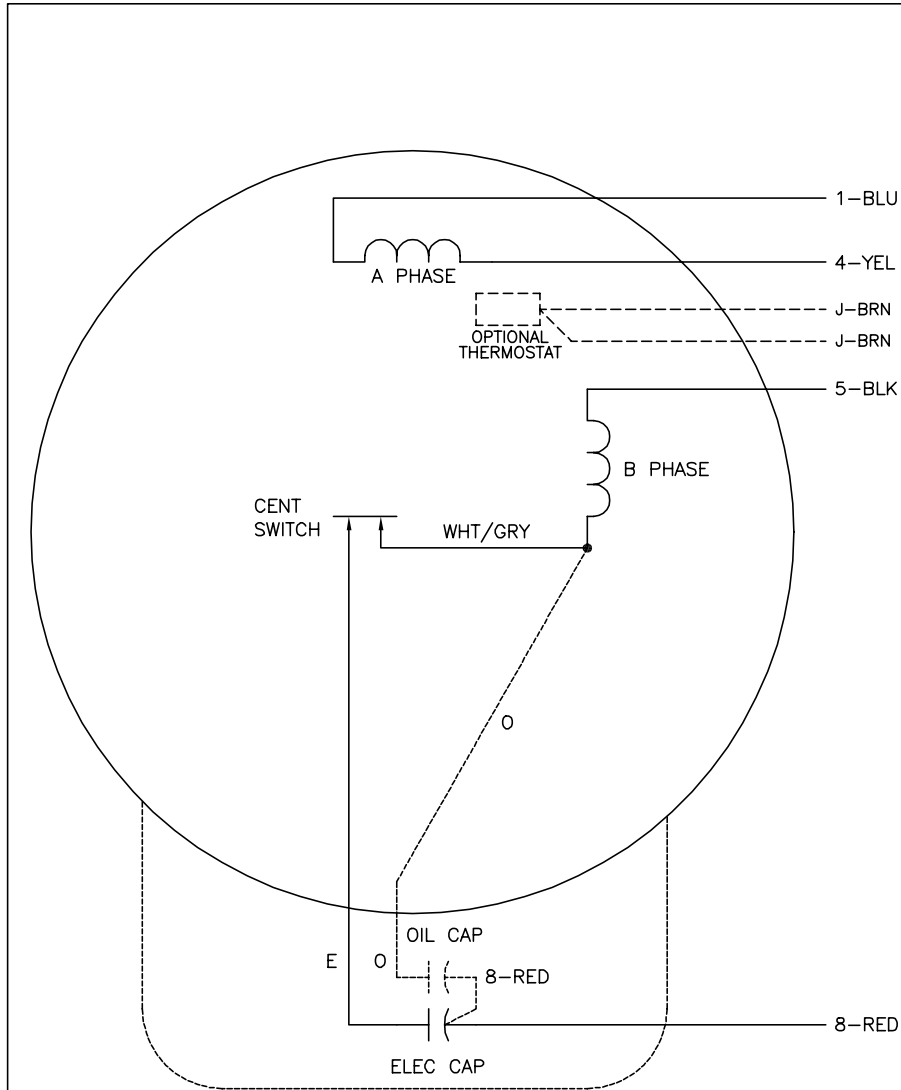
37LYF395

CUSTOMER IS RESPONSIBLE FOR DETERMINING THAT MOTOR PERFORMANCE IS SUITABLE IN THE APPLICATION.

REV. DESC:	37SB0761 WAS 37SB0012,37SH5771 WAS 5501 (SP5067)
REV. LTR:	E BY: DWG REVISED: 09:00:11 01/16/2004 TDR: 311215
FILE:	AAA00005052 REF: 37LYF395
MTL:	-

**BALDOR ELECTRIC Co.**  
 HOR 213-5TC TEFC 37LC W/6 CAPAC.BOX W/SPL SHOVE

CD0086



	LINE A	LINE B
STD	1,8	4,5
OPP	1,5	4,8

NOTES:

1. STANDARD ROTATION IS CCW FACING END OPPOSITE SHAFT EXTENSION.
2. OPTIONAL THERMOSTAT IS PROVIDED WHEN SPECIFIED.
3. MULTIPLE CAPACITORS ARE CONNECTED IN PARALLEL UNLESS OTHERWISE SPECIFIED.
4. OPTIONAL OIL CAPACITOR IS PROVIDED WHEN SPECIFIED.
5. CAPACITORS MAY BE SEPERATELY MOUNTED.
6. LEAD COLORS ARE OPTIONAL. LEADS MUST ALWAYS BE NUMBERED AS SHOWN.

REV. DESC: ADDED CK TO PLANT CODE			
REV. LTR: F	BY: JD	REVISED: 16:01:12 01/07/2002	TDR: 259409
98000D		FILE: AAA00026904	REF: CD0086
		MTL: -	

**BALDOR ELECTRIC Co.**

TYPE L OR LC, SV, REV, 4 LEADS, CAPS MAY BE SEP MTD

CD0086