



BALDOR® • *RELIANCE*

Product Information Packet

CM3534

.33HP,1725RPM,3PH,60HZ,56C,3413M,TEFC,F1

Product Detail									
Revision:	R	Status:	PRD/A	Change #:		Proprietary:	No		
Type:	AC	Prod Type:	3413M	Elec. Spec:	34WG0884	CD Diagram:	CD0005		
Enclosure	TEFC	Mfg Plant:		Mech Spec:	34A062	Layout:	34LYA062		
Frame:	56C	Mounting:	F1	Poles:	04	Created Date:			
Base:	RG	Rotation:	R	Insulation:	B	Eff. Date:	06-05-2007		
Leads:	9#18	Literature:		Elec. Diagram:		Replaced By:			
Nameplate NP1256L									
CAT.NO.	CM3534								
SPEC.	34A62-884								
HP	.33								
VOLTS	230/460								
AMP	1.6/.8								
RPM	1725								
FRAME	56C	HZ			60	PH	3		
SER.F.	1.35	CODE			M	DES	B	CLASS	B
NEMA-NOM-EFF	68	PF			57				
RATING	40C AMB-CONT								
CC				USABLE AT 208V	1.9				
DE	6203	ODE			6203				
ENCL	TEFC	SN							
	SFA 1.8/9								

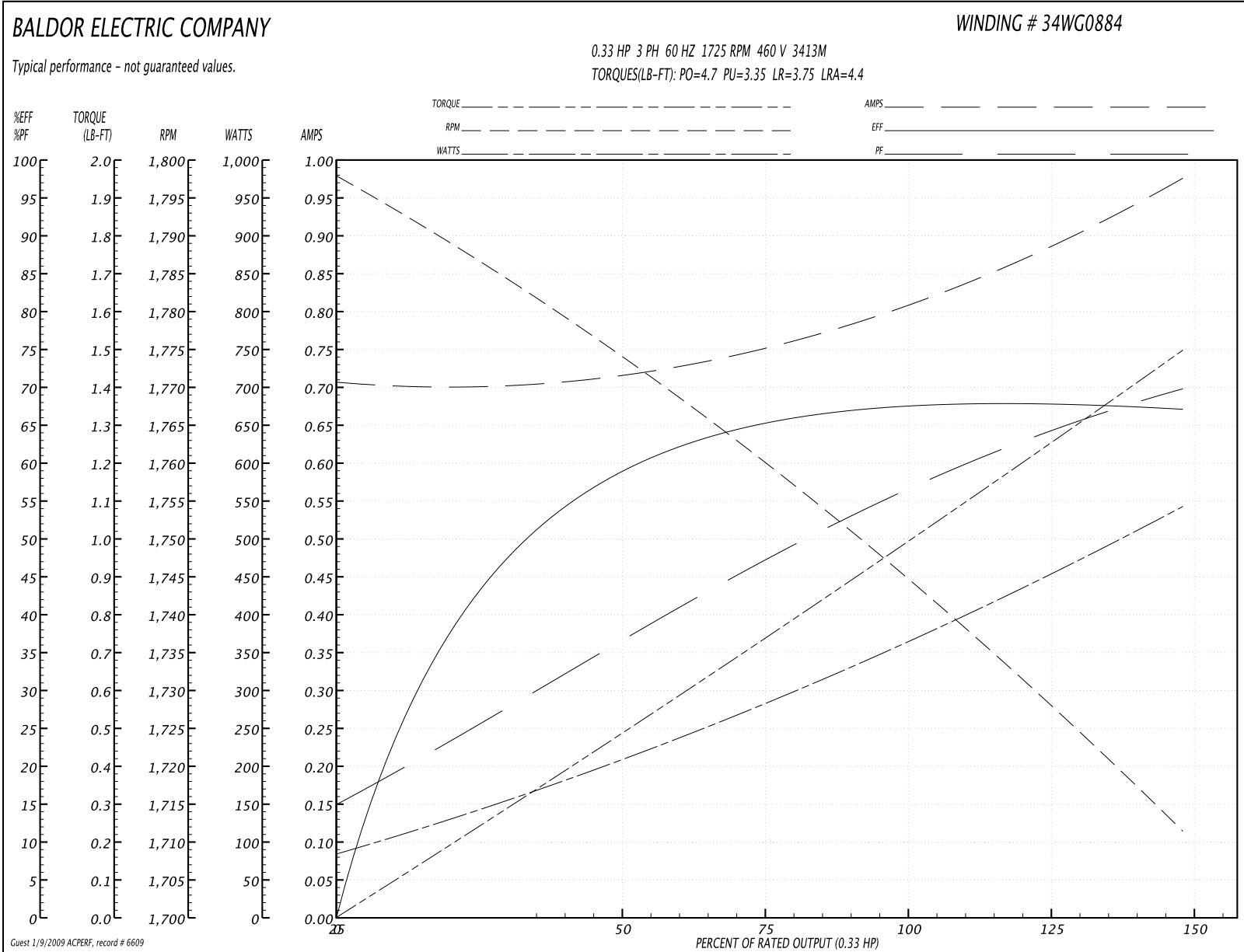
Parts List			
Product ID	Description	Quantity	List Price
SA009840	SA 34A62-884	1.000	176.00
RA006285	RA 34A62-884	1.000	147.00
NS2512A01	INSULATOR, CONDUIT BOX X X	1.000	2.00
34CB3002A	CB CAST W/.88 DIA HOLE	1.000	13.00
34GS1029A01	GASKET, CONDUIT BOX	1.000	2.00
51XB1016A07	10-16 X 7/16 HXWSSLD SERTYB	2.000	2.00
11XW1032G06	10-32 X .38, TAPTITE II, HEX WSHR SLTD U	1.000	3.00
34EP3102A01SP	FR ENDPLATE, MACH	1.000	68.00
HW5100A03SP	WAVY WASHER (W1543-017)	1.000	2.00
34EP3300A24SP	PU ENDPLATE, MACH	1.000	63.00
51XN1032A20	10-32 X 1 1/4 HX WS SL SR	2.000	2.00
34FN3002A01SP	EXTERNAL FAN, PLASTIC, .637/.639 HUB W/	1.000	14.00
34FH4002A01SP	IEC FH NO GREASER	1.000	23.00
51XW1032A06	10-32 X .38, TAPTITE II, HEX WSHR SLTD S	3.000	3.00
34CB4517	CB LID 4 MTG HOLES .22 DIA STAMPED, FOR	1.000	5.00
34GS1031A01	GASKET, FLAT CONDUIT BOX LID (LEXIDE)	1.000	2.00
51XW0832A07	8-32 X .44, TAPTITE II, HEX WSHR SLTD SE	4.000	2.00
HW2501D13SP	KEY, 3/16 SQ X 1.375	1.000	2.00
HA7000A04	KEY RETAINER 0.625 DIA SHAFTS	1.000	2.00
MG1000G27	PAINT- S9282E CHARCOAL GREY	0.014	4,000.00
10XF0440S02	04-40 X 1/8 TYPE F HEX HD STAINLESS STIC	2.000	2.00
HA3100A12	THRUBOLT 10-32 X 7.375	4.000	2.00
LB1125C01	STD (STOCK) CARTON LABEL BALDOR WITH FLA	1.000	2.00
LB5040	INSTRUCTION TAG, AC & DC	1.000	2.00

Parts List (continued)			
Product ID	Description	Quantity	List Price
LC0005E01	CONN.DIA./WARNING LABEL (LC0005/LB1119)	1.000	2.00
NP1256L	NP STD LASER ENGRAVED, UL CSA CC, W/O TH	1.000	3.00
34PA1002	PACKING GROUP, BALDOR	1.000	13.00

Performance Data at 460V, 60Hz, 0.33HP (Typical performance - Not guaranteed values)

General Characteristics							
Full Load Torque:	1.0 LB-FT			Start Configuration:	DOL		
No-Load Current:	0.7 Amps			Break-Down Torque:	4.7 LB-FT		
Line-line Res. @ 25°C.:	49.1 Ohms A Ph / 0.0 Ohms B Ph			Pull-Up Torque:	3.35 LB-FT		
Temp. Rise @ Rated Load:	33°C			Locked-Rotor Torque:	3.75 LB-FT		
Temp. Rise @ S.F. Load:	42°C			Starting Current:	4.4 Amps		
Load Characteristics							
% of Rated Load:	25	50	75	100	125	150	S.F.
Power Factor:	28.0	40.0	50.0	57.0	64.0	69.0	66.0
Efficiency:	44.0	59.0	65.0	68.0	68.0	67.0	68.0
Speed:	1788.0	1770.0	1760.0	1745.0	1730.0	1710.0	1725.0
Line Amperes:	0.7	0.73	0.77	0.8	0.85	1.0	0.9

Performance Graph at 460V, 60Hz, 0.33HP (Typical performance - Not guaranteed values)



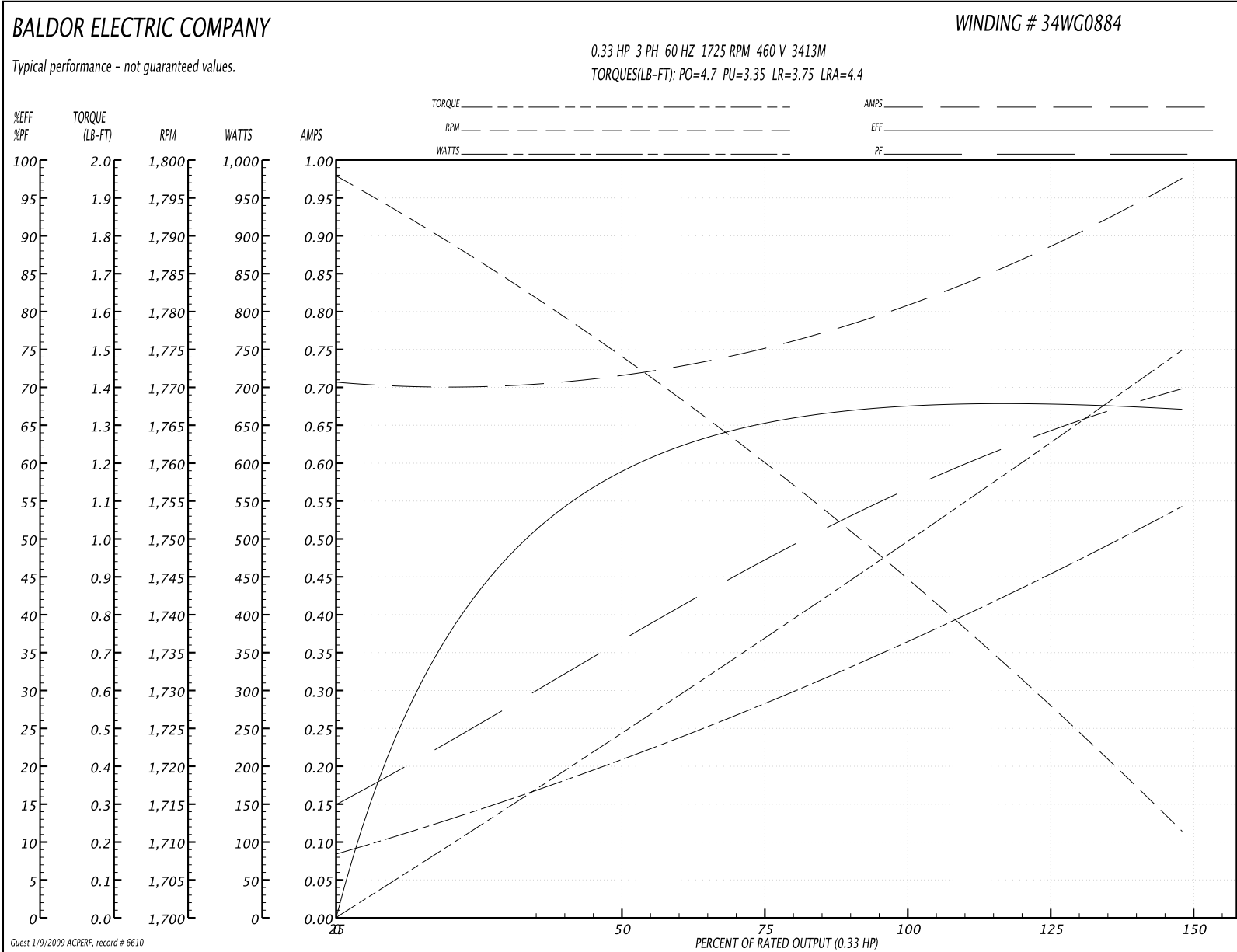
Performance Data at 460V, 60Hz, 0.33HP (Typical performance - Not guaranteed values)
General Characteristics

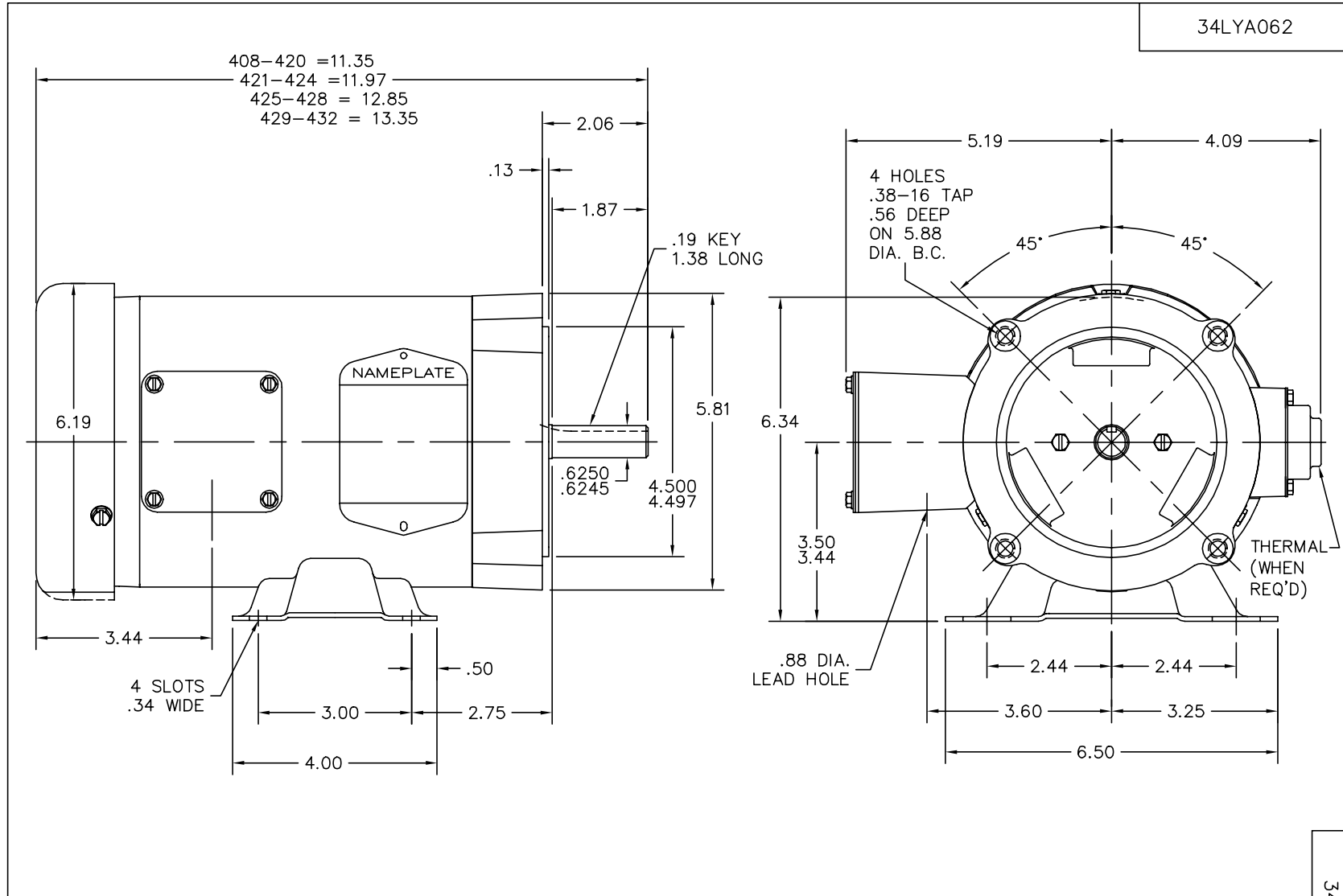
Full Load Torque:	1.0 LB-FT	Start Configuration:	DOL
No-Load Current:	0.7 Amps	Break-Down Torque:	4.7 LB-FT
Line-line Res. @ 25°C.:	49.1 Ohms A Ph / 0.0 Ohms B Ph	Pull-Up Torque:	3.35 LB-FT
Temp. Rise @ Rated Load:	47°C	Locked-Rotor Torque:	3.75 LB-FT
Temp. Rise @ S.F. Load:	61°C	Starting Current:	4.4 Amps

Load Characteristics

% of Rated Load:	25	50	75	100	125	150	S.F.
Power Factor:	28.0	40.0	50.0	57.0	64.0	69.0	66.0
Efficiency:	44.0	59.0	65.0	68.0	68.0	67.0	68.0
Speed:	1788.0	1770.0	1760.0	1745.0	1730.0	1710.0	1725.0
Line Amperes:	0.7	0.73	0.77	0.8	0.85	1.0	0.9

Performance Graph at 460V, 60Hz, 0.33HP (Typical performance - Not guaranteed values)





CUSTOMER IS RESPONSIBLE FOR DETERMINING THAT MOTOR PERFORMANCE IS SUITABLE IN THE APPLICATION.

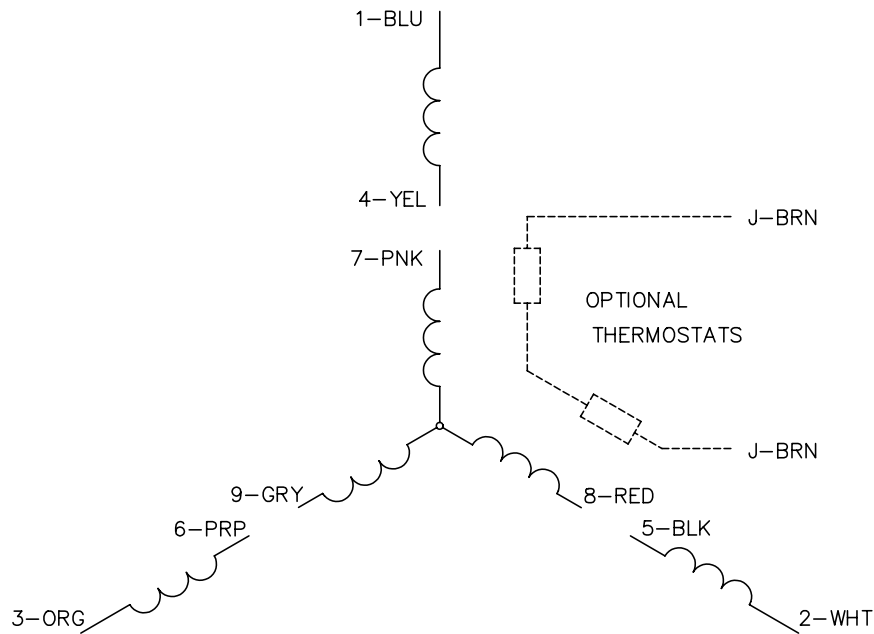
REV. DESC: UPDATED KBOX & LID			
REV. LTR: Q	VERSION: 02	TDR: 000000377176	
34LYA062	FILE: \AAA\00000\725	REVISED: 08:00:53 09/28/2005	
	MTL: -	BY: ENROSTO	

BALDOR ELECTRIC Co.

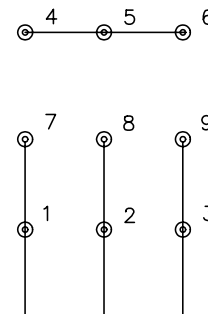
STD HORZ 34M NEMA 56C TEFC

34LYA062

CD0005

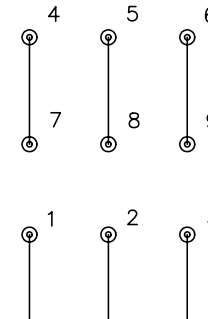


LOW VOLTAGE
(2Y)



LINE

HIGH VOLTAGE
(1Y)



LINE

NOTES:

1. INTERCHANGE ANY TWO LINE LEADS TO REVERSE ROTATION.
2. OPTIONAL THERMOSTATS ARE PROVIDED WHEN SPECIFIED.
3. ACTUAL NUMBER OF INTERNAL PARALLEL CIRCUITS MAY BE A MULTIPLE OF THOSE SHOWN ABOVE.
4. LEAD COLORS ARE OPTIONAL. LEADS MUST ALWAYS BE NUMBERED AS SHOWN.

REV. DESC: REVISE TO SHOW OPTIONAL COLORS			
REV. LTR: E	BY: JLP	REVISED: 01/19/99 10:15	TDR: 0171435
90000		FILE: AAA00005140	MDL: -
		MTL: -	

BALDOR ELECTRIC Co.

3PH, DV, 9 LEADS

CD0005