



# **BALDOR® • *RELIANCE***

## **Product Information Packet**

### **CM3545**

**1HP,3450RPM,3PH,60HZ,56C,3416M,TEFC,F1**

| Product Detail |      |             |       |                |          |               |            |
|----------------|------|-------------|-------|----------------|----------|---------------|------------|
| Revision:      | U    | Status:     | PRD/A | Change #:      |          | Proprietary:  | No         |
| Type:          | AC   | Prod Type:  | 3416M | Elec. Spec:    | 34WG0282 | CD Diagram:   | CD0005     |
| Enclosure      | TEFC | Mfg Plant:  |       | Mech Spec:     | 34A062   | Layout:       | 34LYA062   |
| Frame:         | 56C  | Mounting:   | F1    | Poles:         | 02       | Created Date: |            |
| Base:          | RG   | Rotation:   | R     | Insulation:    | B        | Eff. Date:    | 01-30-2004 |
| Leads:         | 9#18 | Literature: |       | Elec. Diagram: |          | Replaced By:  |            |

| Nameplate NP1256L |              |                |      |     |   |       |   |  |  |
|-------------------|--------------|----------------|------|-----|---|-------|---|--|--|
| CAT.NO.           | CM3545       |                |      |     |   |       |   |  |  |
| SPEC.             | 34A62-282    |                |      |     |   |       |   |  |  |
| HP                | 1            |                |      |     |   |       |   |  |  |
| VOLTS             | 230/460      |                |      |     |   |       |   |  |  |
| AMP               | 3.6/1.8      |                |      |     |   |       |   |  |  |
| RPM               | 3450         |                |      |     |   |       |   |  |  |
| FRAME             | 56C          | HZ             | 60   | PH  | 3 |       |   |  |  |
| SER.F.            | 1.25         | CODE           | H    | DES | B | CLASS | B |  |  |
| NEMA-NOM-EFF      | 75.5         | PF             | 71   |     |   |       |   |  |  |
| RATING            | 40C AMB-CONT |                |      |     |   |       |   |  |  |
| CC                |              | USABLE AT 208V | 4.1  |     |   |       |   |  |  |
| DE                | 6203         | ODE            | 6203 |     |   |       |   |  |  |
| ENCL              | TEFC         | SN             |      |     |   |       |   |  |  |
|                   | SFA 4/2      |                |      |     |   |       |   |  |  |

| <b>Parts List</b> |  |                 |                   |
|-------------------|--|-----------------|-------------------|
| <b>Product ID</b> | <b>Description</b>                       | <b>Quantity</b> | <b>List Price</b> |
| SA009827          | SA 34A62-282                             | 1.000           | 159.00            |
| RA006272          | RA 34A62-282                             | 1.000           | 159.00            |
| NS2512A01         | INSULATOR, CONDUIT BOX X X               | 1.000           | 2.00              |
| 34CB3002A         | CB CAST W/.88 DIA HOLE                   | 1.000           | 13.00             |
| 34GS1029A01       | GASKET, CONDUIT BOX                      | 1.000           | 2.00              |
| 51XB1016A07       | 10-16 X 7/16 HXWSSLD SERTYB              | 2.000           | 2.00              |
| 11XW1032G06       | 10-32 X .38, TAPTITE II, HEX WSHR SLTD U | 1.000           | 3.00              |
| 34EP3102A01SP     | FR ENDPLATE, MACH                        | 1.000           | 68.00             |
| HW5100A03SP       | WAVY WASHER (W1543-017)                  | 1.000           | 2.00              |
| 34EP3300A24SP     | PU ENDPLATE, MACH                        | 1.000           | 63.00             |
| 51XN1032A20       | 10-32 X 1 1/4 HX WS SL SR                | 2.000           | 2.00              |
| 34FN3002A01SP     | EXTERNAL FAN, PLASTIC, .637/.639 HUB W/  | 1.000           | 14.00             |
| 34FH4002A01SP     | IEC FH NO GREASER                        | 1.000           | 23.00             |
| 51XW1032A06       | 10-32 X .38, TAPTITE II, HEX WSHR SLTD S | 3.000           | 3.00              |
| 34CB4517          | CB LID 4 MTG HOLES .22 DIA STAMPED, FOR  | 1.000           | 5.00              |
| 34GS1031A01       | GASKET, FLAT CONDUIT BOX LID (LEXIDE)    | 1.000           | 2.00              |
| 51XW0832A07       | 8-32 X .44, TAPTITE II, HEX WSHR SLTD SE | 4.000           | 2.00              |
| HW2501D13SP       | KEY, 3/16 SQ X 1.375                     | 1.000           | 2.00              |
| HA7000A04         | KEY RETAINER 0.625 DIA SHAFTS            | 1.000           | 2.00              |
| MG1000G27         | PAINT- S9282E CHARCOAL GREY              | 0.014           | 4,000.00          |
| 10XF0440S02       | 04-40 X 1/8 TYPE F HEX HD STAINLESS STIC | 2.000           | 2.00              |
| HA3100A12         | THRUBOLT 10-32 X 7.375                   | 4.000           | 2.00              |
| LB1125C01         | STD (STOCK) CARTON LABEL BALDOR WITH FLA | 1.000           | 2.00              |
| LC0005E01         | CONN.DIA./WARNING LABEL (LC0005/LB1119)  | 1.000           | 2.00              |

| <b>Parts List (continued)</b> |  |                 |                   |
|-------------------------------|--|-----------------|-------------------|
| <b>Product ID</b>             | <b>Description</b>                       | <b>Quantity</b> | <b>List Price</b> |
| NP1256L                       | NP STD LASER ENGRAVED, UL CSA CC, W/O TH | 1.000           | 3.00              |
| 34PA1002                      | PACKING GROUP, BALDOR                    | 1.000           | 13.00             |

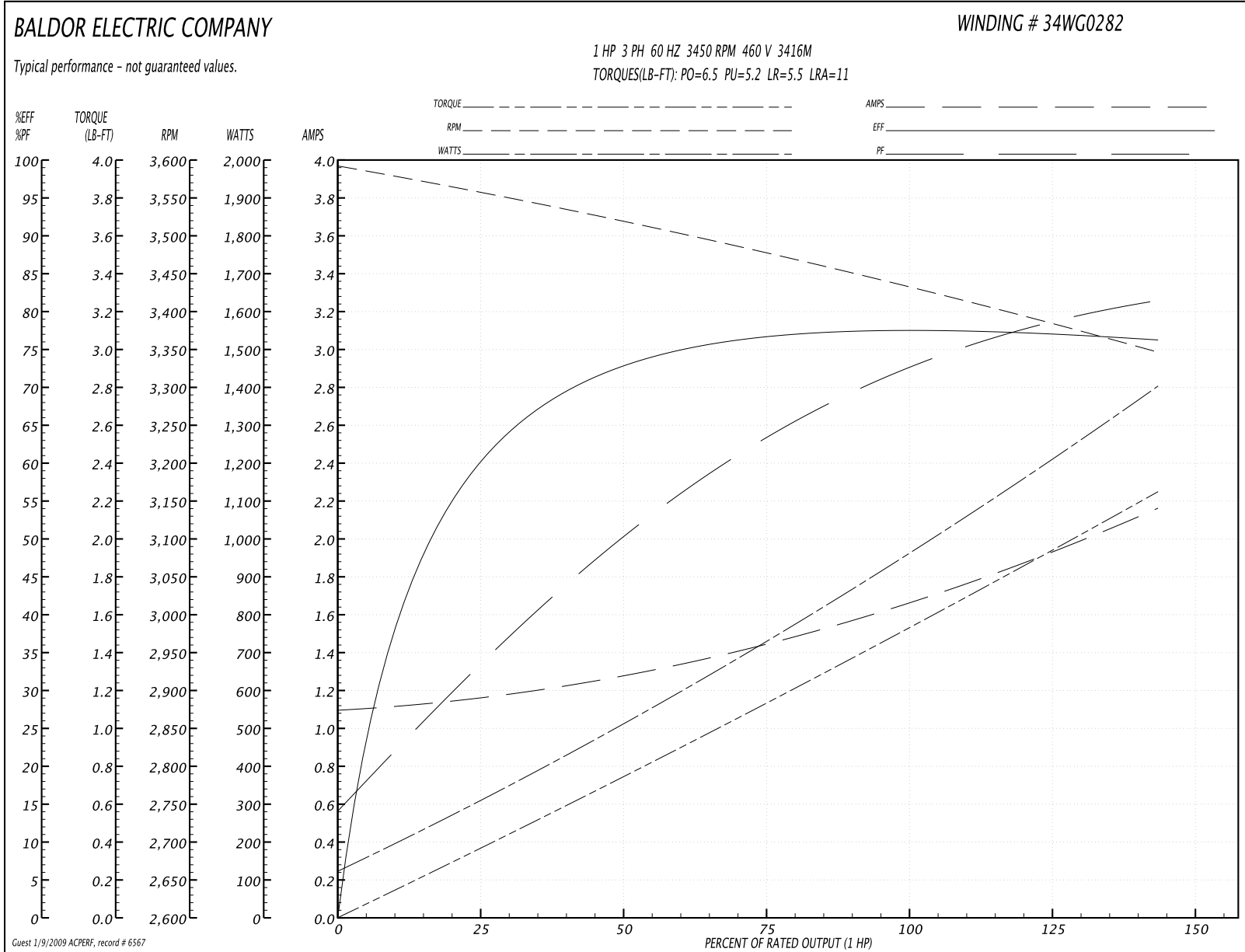
**Performance Data at 460V, 60Hz, 1.0HP (Typical performance - Not guaranteed values)**
**General Characteristics**

|                                 |                                |                             |           |
|---------------------------------|--------------------------------|-----------------------------|-----------|
| <b>Full Load Torque:</b>        | 1.5 LB-FT                      | <b>Start Configuration:</b> | DOL       |
| <b>No-Load Current:</b>         | 1.1 Amps                       | <b>Break-Down Torque:</b>   | 6.5 LB-FT |
| <b>Line-line Res. @ 25°C.:</b>  | 16.7 Ohms A Ph / 0.0 Ohms B Ph | <b>Pull-Up Torque:</b>      | 5.2 LB-FT |
| <b>Temp. Rise @ Rated Load:</b> | 34°C                           | <b>Locked-Rotor Torque:</b> | 5.5 LB-FT |
| <b>Temp. Rise @ S.F. Load:</b>  | 47°C                           | <b>Starting Current:</b>    | 11.0 Amps |

**Load Characteristics**

| <b>% of Rated Load:</b> | <b>25</b> | <b>50</b> | <b>75</b> | <b>100</b> | <b>125</b> | <b>150</b> | <b>S.F.</b> |
|-------------------------|-----------|-----------|-----------|------------|------------|------------|-------------|
| <b>Power Factor:</b>    | 37.0      | 53.0      | 68.0      | 76.0       | 77.0       | 76.0       | 77.0        |
| <b>Efficiency:</b>      | 61.2      | 72.1      | 76.8      | 77.7       | 77.2       | 76.2       | 77.2        |
| <b>Speed:</b>           | 3558.0    | 3524.0    | 3476.0    | 3434.0     | 3390.0     | 3349.0     | 3390.0      |
| <b>Line Amperes:</b>    | 1.17      | 1.25      | 1.45      | 1.65       | 1.9        | 2.15       | 1.9         |

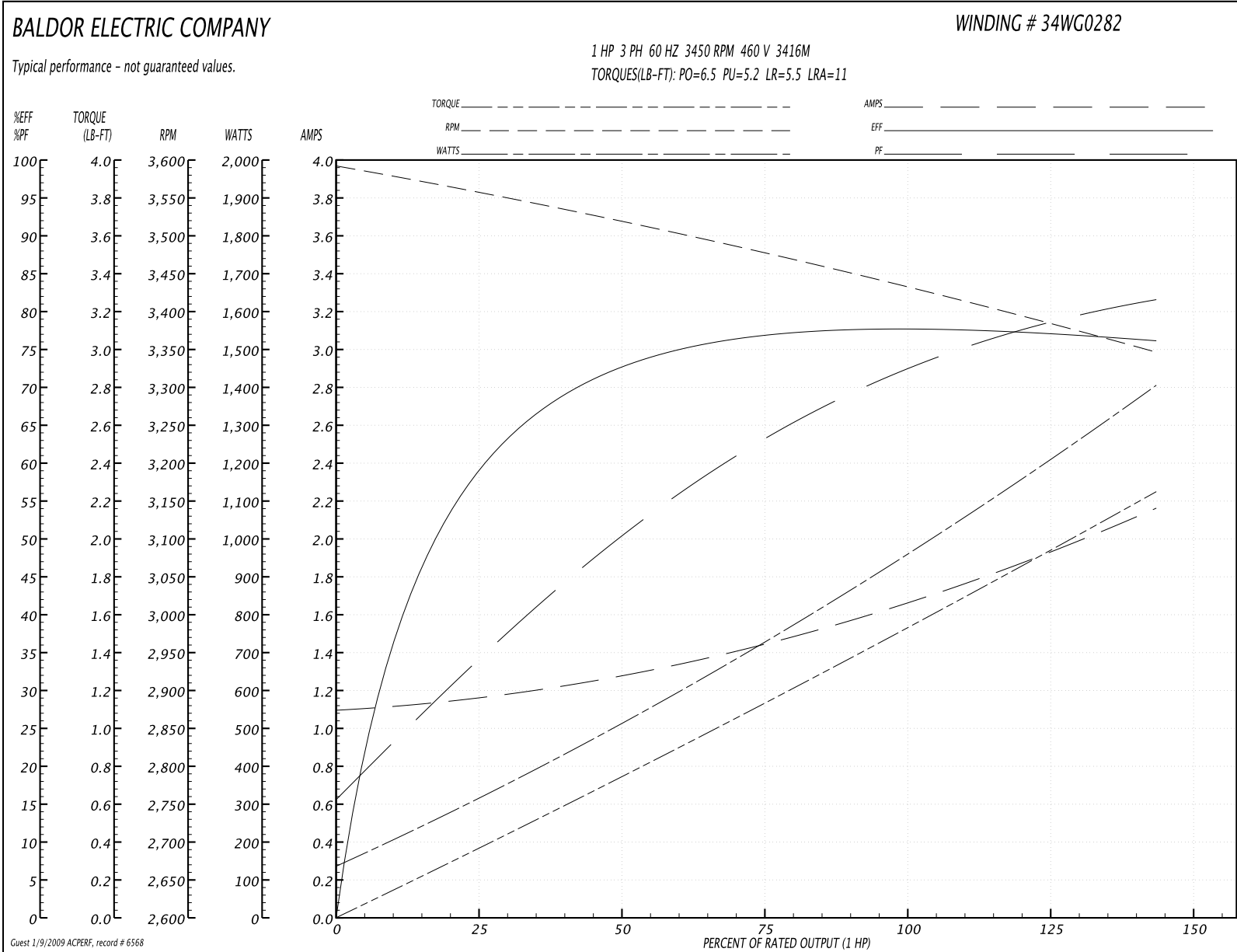
Performance Graph at 460V, 60Hz, 1.0HP (Typical performance - Not guaranteed values)

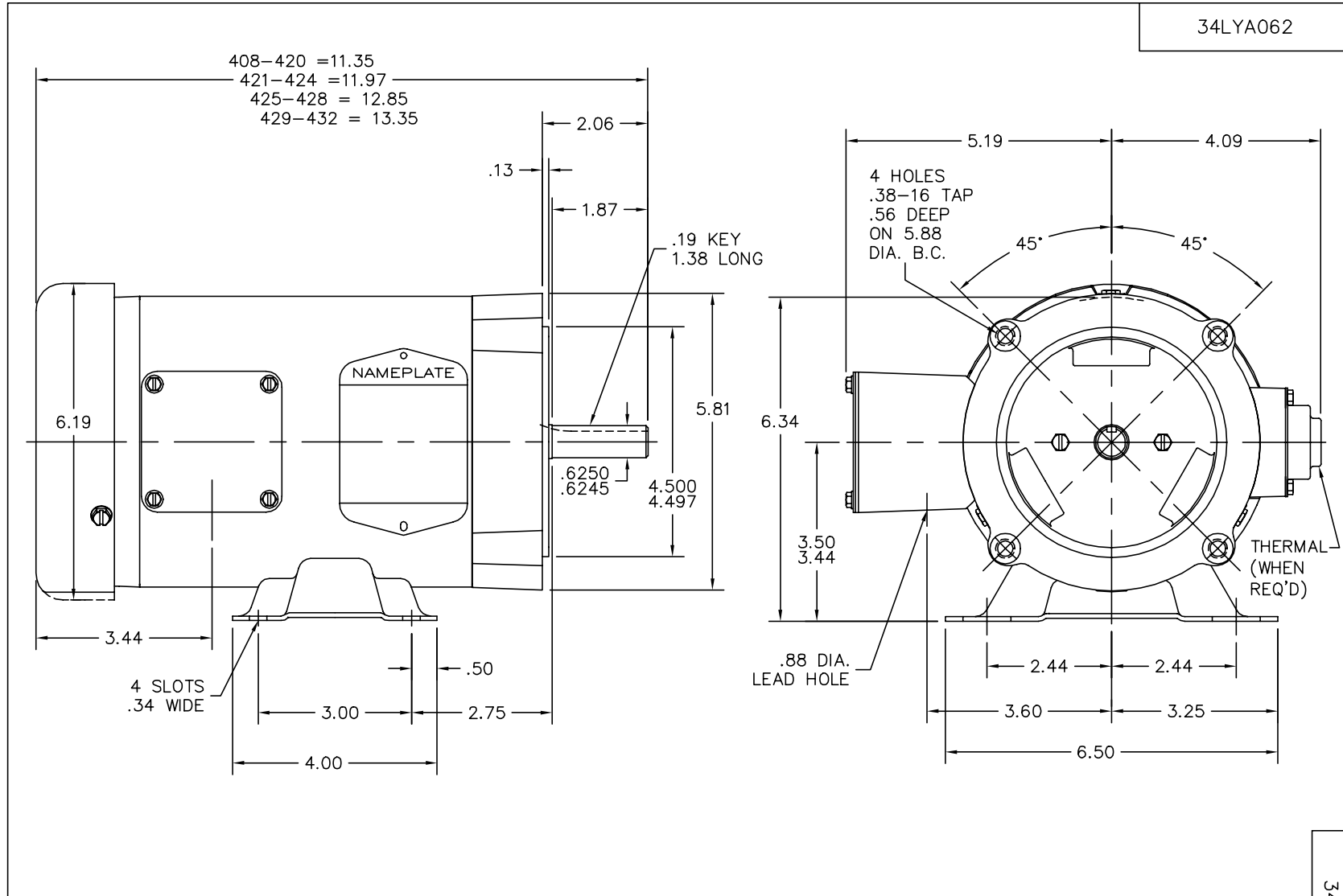


**Performance Data at 460V, 60Hz, 1.0HP (Typical performance - Not guaranteed values)**

| General Characteristics         |                                |           |           |                             |            |            |             |
|---------------------------------|--------------------------------|-----------|-----------|-----------------------------|------------|------------|-------------|
| <b>Full Load Torque:</b>        | 1.5 LB-FT                      |           |           | <b>Start Configuration:</b> | DOL        |            |             |
| <b>No-Load Current:</b>         | 1.1 Amps                       |           |           | <b>Break-Down Torque:</b>   | 6.5 LB-FT  |            |             |
| <b>Line-line Res. @ 25°C.:</b>  | 16.7 Ohms A Ph / 0.0 Ohms B Ph |           |           | <b>Pull-Up Torque:</b>      | 5.2 LB-FT  |            |             |
| <b>Temp. Rise @ Rated Load:</b> | 71°C                           |           |           | <b>Locked-Rotor Torque:</b> | 5.5 LB-FT  |            |             |
| <b>Temp. Rise @ S.F. Load:</b>  | 85°C                           |           |           | <b>Starting Current:</b>    | 11.0 Amps  |            |             |
| Load Characteristics            |                                |           |           |                             |            |            |             |
| <b>% of Rated Load:</b>         | <b>25</b>                      | <b>50</b> | <b>75</b> | <b>100</b>                  | <b>125</b> | <b>150</b> | <b>S.F.</b> |
| <b>Power Factor:</b>            | 37.0                           | 53.0      | 68.0      | 76.0                        | 77.0       | 76.0       | 77.0        |
| <b>Efficiency:</b>              | 61.2                           | 72.1      | 76.8      | 77.7                        | 77.2       | 76.2       | 77.2        |
| <b>Speed:</b>                   | 3558.0                         | 3524.0    | 3476.0    | 3434.0                      | 3390.0     | 3349.0     | 3390.0      |
| <b>Line Amperes:</b>            | 1.17                           | 1.25      | 1.45      | 1.65                        | 1.9        | 2.15       | 1.9         |

Performance Graph at 460V, 60Hz, 1.0HP (Typical performance - Not guaranteed values)





CUSTOMER IS RESPONSIBLE FOR DETERMINING THAT MOTOR PERFORMANCE IS SUITABLE IN THE APPLICATION.

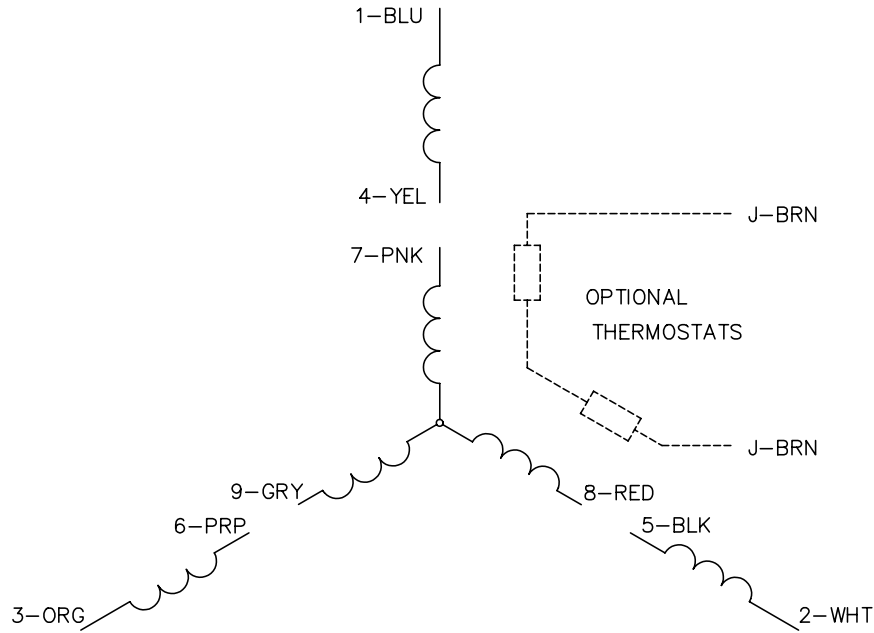
|                               |                      |                              |
|-------------------------------|----------------------|------------------------------|
| REV. DESC: UPDATED KBOX & LID |                      |                              |
| REV. LTR: Q                   | VERSION: 02          | TDR: 000000377176            |
| 34LYA062                      | FILE: \AAA\00000\725 | REVISED: 08:00:53 09/28/2005 |
|                               | MTL: -               | BY: ENROSTO                  |

**BALDOR ELECTRIC Co.**

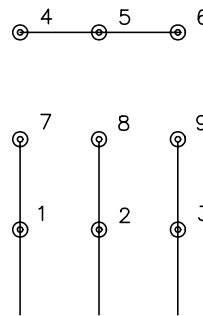
STD HORZ 34M NEMA 56C TEFC

34LYA062

CD0005

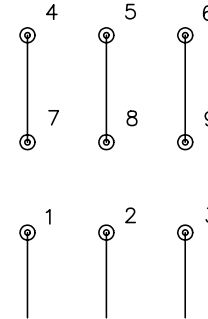


LOW VOLTAGE  
(2Y)



LINE

HIGH VOLTAGE  
(1Y)



LINE

NOTES:

1. INTERCHANGE ANY TWO LINE LEADS TO REVERSE ROTATION.
2. OPTIONAL THERMOSTATS ARE PROVIDED WHEN SPECIFIED.
3. ACTUAL NUMBER OF INTERNAL PARALLEL CIRCUITS MAY BE A MULTIPLE OF THOSE SHOWN ABOVE.
4. LEAD COLORS ARE OPTIONAL. LEADS MUST ALWAYS BE NUMBERED AS SHOWN.

|   |         |                         |              |
|---|---------|-------------------------|--------------|
| REV. DESC: REVISE TO SHOW OPTIONAL COLORS |         |                         |              |
| REV. LTR: E                               | BY: JLP | REVISED: 01/19/99 10:15 | TDR: 0171435 |
| 90000                                     |         | FILE: AAA00005140       | MDL: -       |
|   |         | MTL: -                  |              |

**BALDOR ELECTRIC Co.**

3PH, DV, 9 LEADS

CD0005