



BALDOR® • *RELIANCE*

Product Information Packet

CM3550T

1.5HP,3450RPM,3PH,60HZ,143TC,3520M,TEFC

Product Detail							
Revision:	J	Status:	PRD/A	Change #:		Proprietary:	No
Type:	AC	Prod Type:	3520M	Elec. Spec:	35WGS253	CD Diagram:	CD0005
Enclosure	TEFC	Mfg Plant:		Mech Spec:	35A002	Layout:	35LYA002
Frame:	143TC	Mounting:	F1	Poles:	02	Created Date:	06-21-2007
Base:	RG	Rotation:	R	Insulation:	B	Eff. Date:	12-02-2008
Leads:	9#18	Literature:		Elec. Diagram:		Replaced By:	

Nameplate NP1256L									
CAT.NO.	CM3550T								
SPEC.	35A002S253H1								
HP	1.5								
VOLTS	208-230/460								
AMP	4.3-4.2/2.1								
RPM	3450								
FRAME	143TC	HZ	60	PH	3				
SER.F.	1.15	CODE	L	DES	B	CLASS	B		
NEMA-NOM-EFF	82.5	PF	85						
RATING	40C AMB-CONT								
CC	010A	USABLE AT 208V	4.3						
DE	6205	ODE	6203						
ENCL	TEFC	SN							

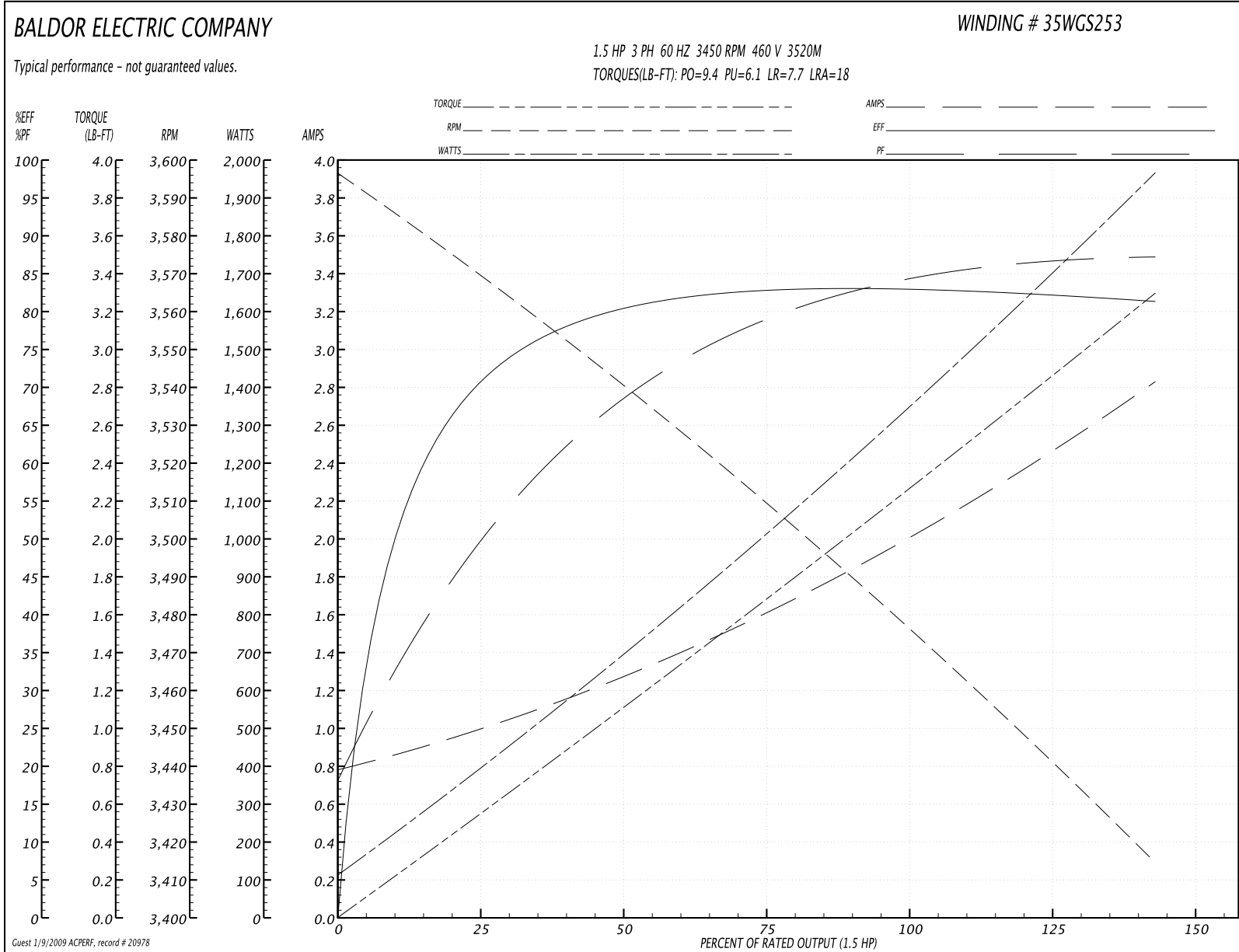
Parts List			
Product ID	Description	Quantity	List Price
SA108771	SA 35A002S253H1	1.000	269.00
RA100293	RA 35A002S253H1	1.000	224.00
S/P101-000-000	EPACT PROCEDURES-FS PLANT-POLYREX EM, NO	1.000	
NS2512A01	INSULATOR, CONDUIT BOX X X	1.000	2.00
35CB3007	35 CB CASTING W/.88 DIA. LEAD HOLE	1.000	27.00
36GS1000SP	GASKET-CONDUIT BOX, .06 THICK #SV-330 LE	1.000	5.00
51XB1016A07	10-16 X 7/16 HXWSSLD SERTYB	2.000	2.00
11XW1032G06	10-32 X .38, TAPTITE II, HEX WSHR SLTD U	1.000	3.00
35EP3100M01	FREP TEFC 203 BRG W/GRSR (RAISED FH PADS	1.000	28.00
HW4500A01	1641B(ALEMITE)400 UNIV, GREASE FITT	1.000	2.00
HW5100A03SP	WAVY WASHER (W1543-017)	1.000	2.00
35EP3300A46	SPL FACE MTD EP-ENCL-145TC-205 BRG	1.000	102.00
HW4500A01	1641B(ALEMITE)400 UNIV, GREASE FITT	1.000	2.00
51XN1032A20	10-32 X 1 1/4 HX WS SL SR	2.000	2.00
51XB1214A16	12-14X1.00 HXWSSLD SERTYB	1.000	2.00
35FH4005A84SP	IEC FH W/GRSR, NO DIMPLES W/AUTOPHERETIC	1.000	13.00
51XW1032A06	10-32 X .38, TAPTITE II, HEX WSHR SLTD S	3.000	3.00
35CB4521	35 LIPPED CB LID (GALV & PHOSPH)	1.000	2.00
35GS1030	35 GS FOR CB LID - LEXIDE	1.000	2.00
51XW0832A07	8-32 X .44, TAPTITE II, HEX WSHR SLTD SE	4.000	2.00
HW2501D13SP	KEY, 3/16 SQ X 1.375	1.000	2.00
HA7000A01	KEY RETAINER 7/8" DIA SHAFT	1.000	2.00
10XF0440S02	04-40 X 1/8 TYPE F HEX HD STAINLESS STIC	2.000	2.00
MJ1000A02	GREASE, POLYREX EM EXXON	0.050	10.00

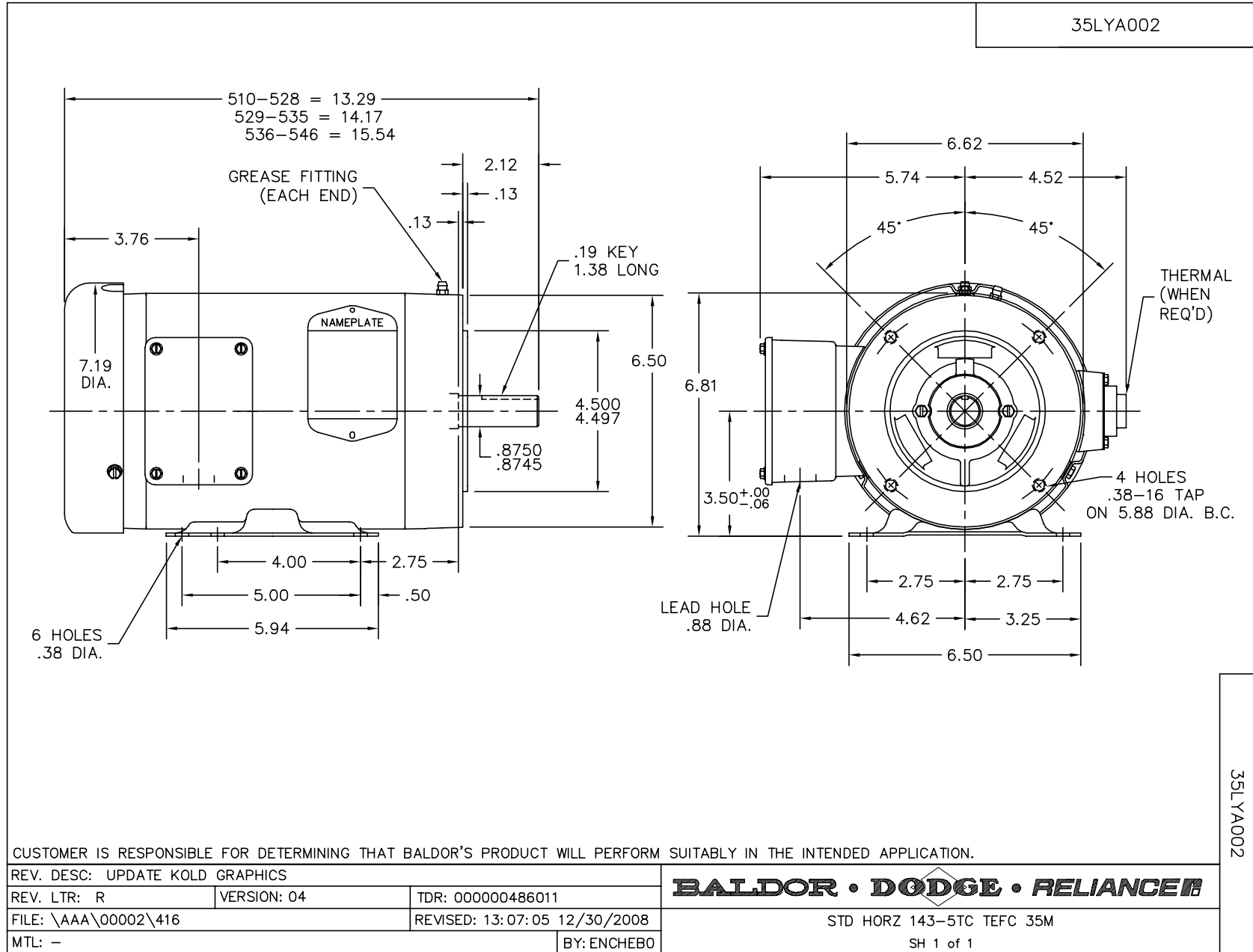
Parts List (continued)			
Product ID	Description	Quantity	List Price
MG1000G27	PAINT- S9282E CHARCOAL GREY	0.017	4,000.00
34FN3002B01	EXTERNAL FAN, PLASTIC, .637/.639 HUB W/	1.000	15.00
HA3100A15	THRUBOLT 10-32 X 8.375	4.000	2.00
LB1125C04	STD-E (STOCK CTN LABEL STD-E WITH FLAG)	1.000	2.00
LC0005E01	CONN.DIA./WARNING LABEL (LC0005/LB1119)	1.000	2.00
NP1256L	NP STD LASER ENGRAVED, UL CSA CC, W/O TH	1.000	3.00
PA1000	PACKING GROUP 3500 SHORT	1.000	8.00

Performance Data at 460V, 60Hz, 1.5HP (Typical performance - Not guaranteed values)

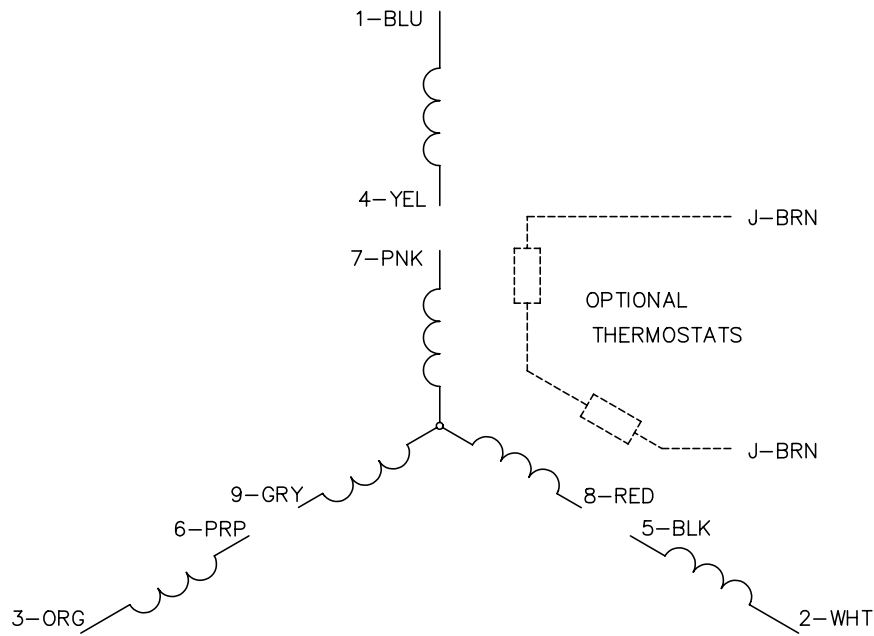
General Characteristics							
Full Load Torque:	2.2 LB-FT			Start Configuration:	DOL		
No-Load Current:	0.8 Amps			Break-Down Torque:	9.4 LB-FT		
Line-line Res. @ 25°C.:	11.6 Ohms A Ph / 0.0 Ohms B Ph			Pull-Up Torque:	6.1 LB-FT		
Temp. Rise @ Rated Load:	42°C			Locked-Rotor Torque:	7.7 LB-FT		
Temp. Rise @ S.F. Load:	49°C			Starting Current:	18.0 Amps		
Load Characteristics							
% of Rated Load:	25	50	75	100	125	150	S.F.
Power Factor:	58.0	76.0	85.0	89.0	92.0	94.0	0.0
Efficiency:	71.6	80.1	82.6	83.0	82.5	81.3	0.0
Speed:	3566.0	3540.0	3513.0	3481.0	3449.0	3413.0	0.0
Line Amperes:	1.0	1.2	1.6	2.0	2.4	2.8	2.2

Performance Graph at 460V, 60Hz, 1.5HP (Typical performance - Not guaranteed values)

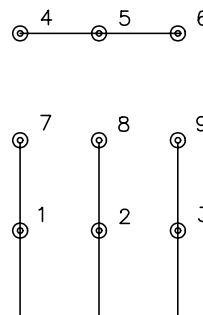




CD0005

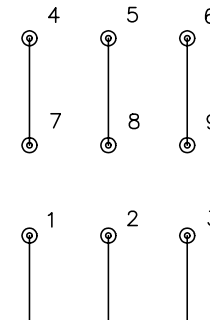


LOW VOLTAGE
(2Y)



LINE

HIGH VOLTAGE
(1Y)



LINE

NOTES:

1. INTERCHANGE ANY TWO LINE LEADS TO REVERSE ROTATION.
2. OPTIONAL THERMOSTATS ARE PROVIDED WHEN SPECIFIED.
3. ACTUAL NUMBER OF INTERNAL PARALLEL CIRCUITS MAY BE A MULTIPLE OF THOSE SHOWN ABOVE.
4. LEAD COLORS ARE OPTIONAL. LEADS MUST ALWAYS BE NUMBERED AS SHOWN.

REV. DESC: REVISE TO SHOW OPTIONAL COLORS			
REV. LTR: E	BY: JLP	REVISED: 01/19/99 10:15	TDR: 0171435
900000		FILE: AAA00005140	MDL: -
		MTL: -	

BALDOR ELECTRIC Co.

3PH, DV, 9 LEADS

CD0005