



# **BALDOR® • *RELIANCE***

## **Product Information Packet**

### **CM3556**

**1HP,1140RPM,3PH,60HZ,56C,3524M,TEFC,F1**

Product Detail							
Revision:	R	Status:	PRD/A	Change #:		Proprietary:	No
Type:	AC	Prod Type:	3524M	Elec. Spec:	35WG1272	CD Diagram:	CD0005
Enclosure	TEFC	Mfg Plant:		Mech Spec:	35A012	Layout:	35LYA012
Frame:	56C	Mounting:	F1	Poles:	06	Created Date:	
Base:	RG	Rotation:	R	Insulation:	B	Eff. Date:	12-05-2008
Leads:	9#18	Literature:		Elec. Diagram:		Replaced By:	

Nameplate NP1256L									
CAT.NO.	CM3556								
SPEC.	35A12-1272								
HP	1								
VOLTS	208-230/460								
AMP	3.6-3.4/1.7								
RPM	1140								
FRAME	56C	HZ	60	PH	3				
SER.F.	1.15	CODE	G	DES	B	CLASS	B		
NEMA-NOM-EFF	75.5	PF	69						
RATING	40C AMB-CONT								
CC		USABLE AT 208V	3.6						
DE	6205	ODE	6203						
ENCL	TEFC	SN							

<b>Parts List</b>			
<b>Product ID</b>	<b>Description</b>	<b>Quantity</b>	<b>List Price</b>
SA023103	SA 35A12-1272	1.000	293.00
RA019153	RA 35A12-1272	1.000	245.00
NS2512A01	INSULATOR, CONDUIT BOX X X	1.000	2.00
35CB3007	35 CB CASTING W/.88 DIA. LEAD HOLE	1.000	27.00
36GS1000SP	GASKET-CONDUIT BOX, .06 THICK #SV-330 LE	1.000	5.00
51XB1016A07	10-16 X 7/16 HXWSSLD SERTYB	2.000	2.00
11XW1032G06	10-32 X .38, TAPTITE II, HEX WSHR SLTD U	1.000	3.00
35EP3100M02	FREP TEFC 203 BRG W/O GRSR (RAISED FH MT	1.000	28.00
HW5100A03SP	WAVY WASHER (W1543-017)	1.000	2.00
35EP3300A33	SPL FACE MTD EP -ENCL-205 BRG	1.000	80.00
51XN1032A20	10-32 X 1 1/4 HX WS SL SR	2.000	2.00
51XB1214A16	12-14X1.00 HXWSSLD SERTYB	1.000	2.00
35FH4005A32SP	IEC FH NO GRSR W/3 HOLES - W/AUTOPHERETI	1.000	23.00
51XW1032A06	10-32 X .38, TAPTITE II, HEX WSHR SLTD S	3.000	3.00
35CB4521	35 LIPPED CB LID (GALV & PHOSPH)	1.000	2.00
35GS1030	35 GS FOR CB LID - LEXIDE	1.000	2.00
51XW0832A07	8-32 X .44, TAPTITE II, HEX WSHR SLTD SE	4.000	2.00
HW2501D13SP	KEY, 3/16 SQ X 1.375	1.000	2.00
HA7000A04	KEY RETAINER 0.625 DIA SHAFTS	1.000	2.00
10XF0440S02	04-40 X 1/8 TYPE F HEX HD STAINLESS STIC	2.000	2.00
MJ1000A02	GREASE, POLYREX EM EXXON	0.050	10.00
35FN3002A05SP	EXTERNAL FAN, PLASTIC, FOR .637 DIA JOUR	1.000	22.00
MG1000G27	PAINT- S9282E CHARCOAL GREY	0.017	4,000.00
HA3100A15	THRUBOLT 10-32 X 8.375	4.000	2.00

<b>Parts List (continued)</b>			
<b>Product ID</b>	<b>Description</b>	<b>Quantity</b>	<b>List Price</b>
LB1125C01	STD (STOCK) CARTON LABEL BALDOR WITH FLA	1.000	2.00
LC0005E01	CONN.DIA./WARNING LABEL (LC0005/LB1119)	1.000	2.00
NP1256L	NP STD LASER ENGRAVED, UL CSA CC, W/O TH	1.000	3.00
PA1000	PACKING GROUP 3500 SHORT	1.000	8.00

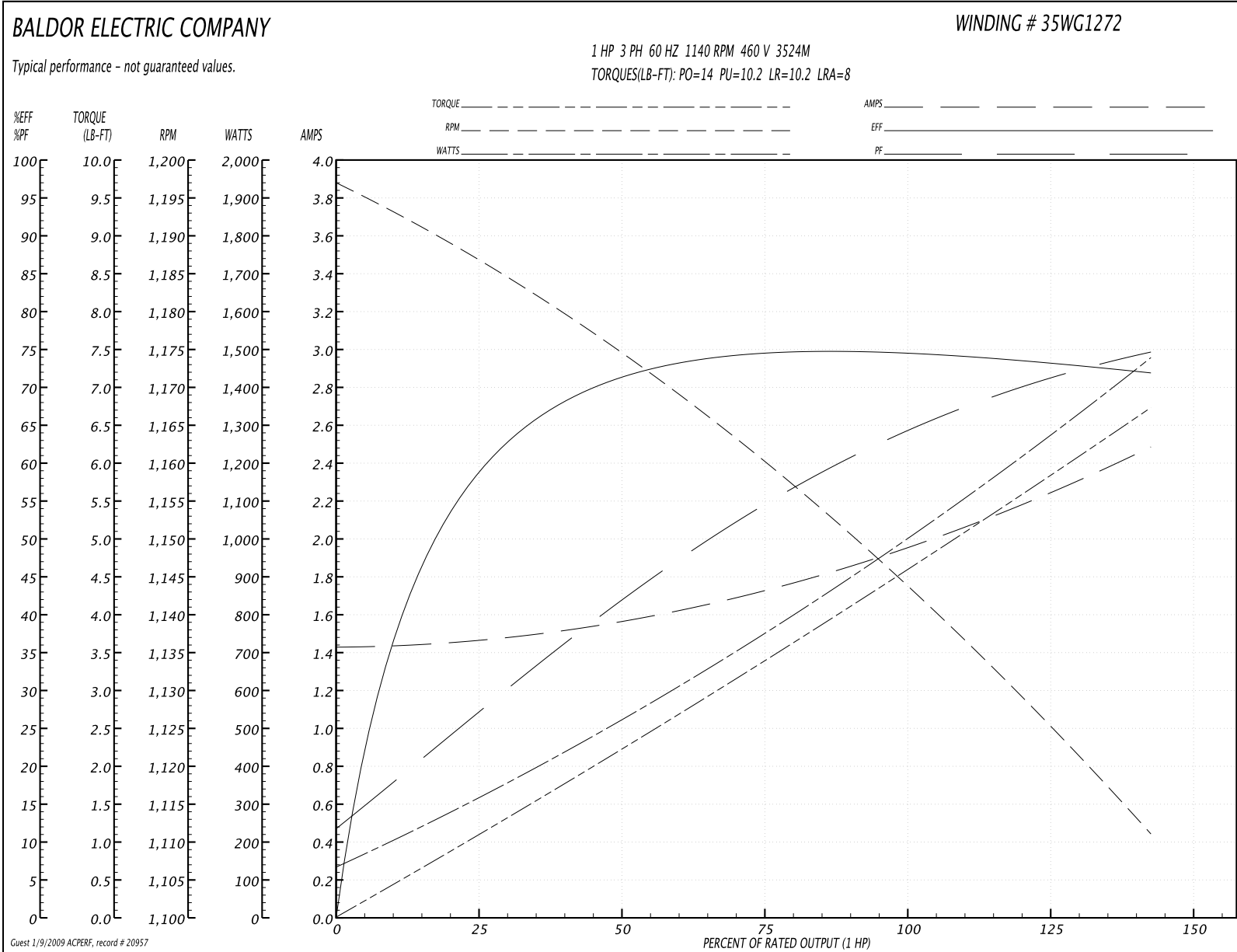
**Performance Data at 460V, 60Hz, 1.0HP (Typical performance - Not guaranteed values)**
**General Characteristics**

<b>Full Load Torque:</b>	4.5 LB-FT	<b>Start Configuration:</b>	DOL
<b>No-Load Current:</b>	1.4 Amps	<b>Break-Down Torque:</b>	14.0 LB-FT
<b>Line-line Res. @ 25°C.:</b>	24.9 Ohms A Ph / 0.0 Ohms B Ph	<b>Pull-Up Torque:</b>	10.2 LB-FT
<b>Temp. Rise @ Rated Load:</b>	44°C	<b>Locked-Rotor Torque:</b>	10.2 LB-FT
<b>Temp. Rise @ S.F. Load:</b>	54°C	<b>Starting Current:</b>	8.0 Amps

**Load Characteristics**

<b>% of Rated Load:</b>	<b>25</b>	<b>50</b>	<b>75</b>	<b>100</b>	<b>125</b>	<b>150</b>	<b>S.F.</b>
<b>Power Factor:</b>	31.0	47.0	58.0	66.0	72.0	77.0	70.0
<b>Efficiency:</b>	59.6	71.1	74.1	74.6	73.9	71.7	74.2
<b>Speed:</b>	1186.0	1173.0	1160.0	1146.0	1131.0	1109.0	1137.0
<b>Line Amperes:</b>	1.5	1.6	1.7	1.9	2.2	2.5	2.1

Performance Graph at 460V, 60Hz, 1.0HP (Typical performance - Not guaranteed values)



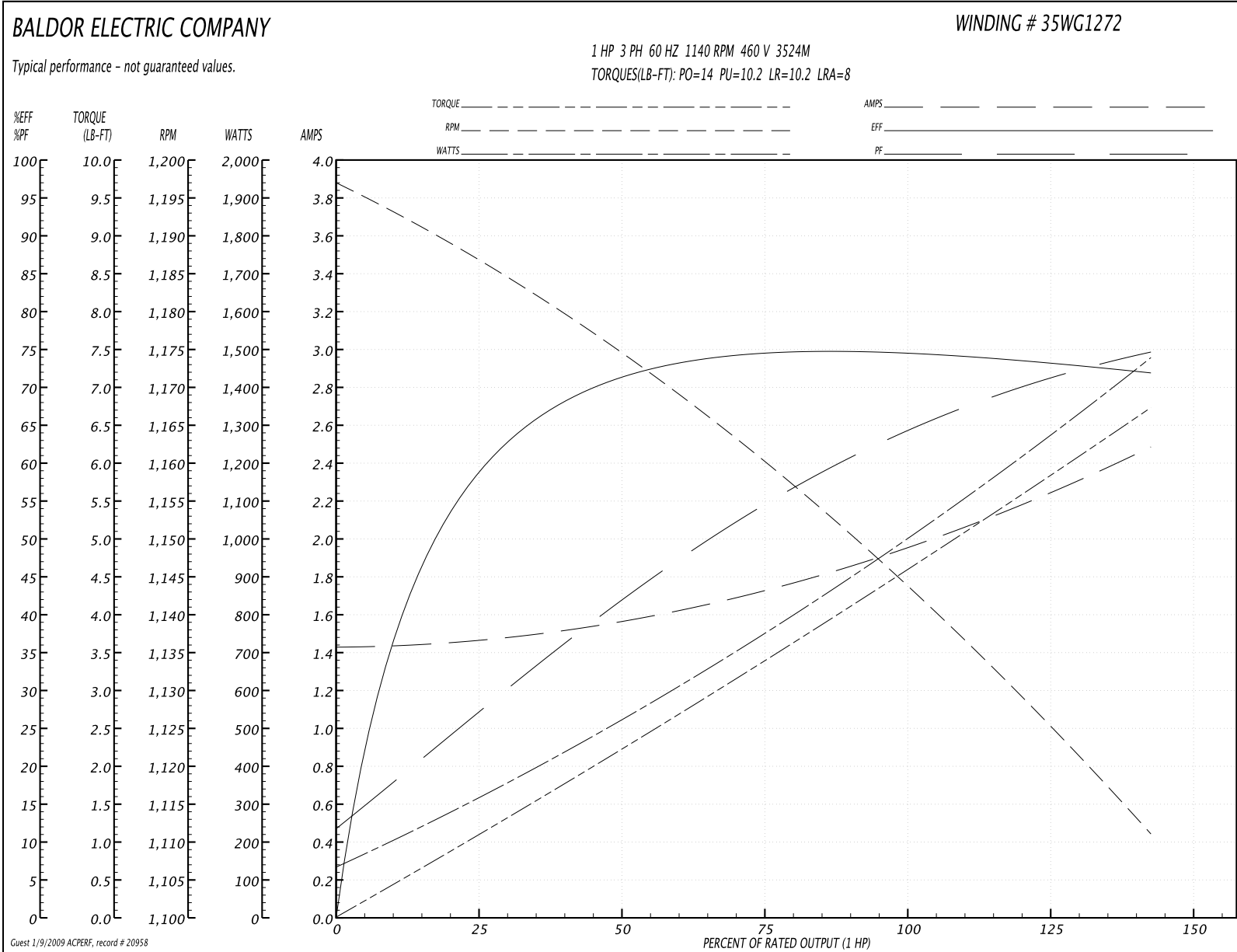
**Performance Data at 460V, 60Hz, 1.0HP (Typical performance - Not guaranteed values)**
**General Characteristics**

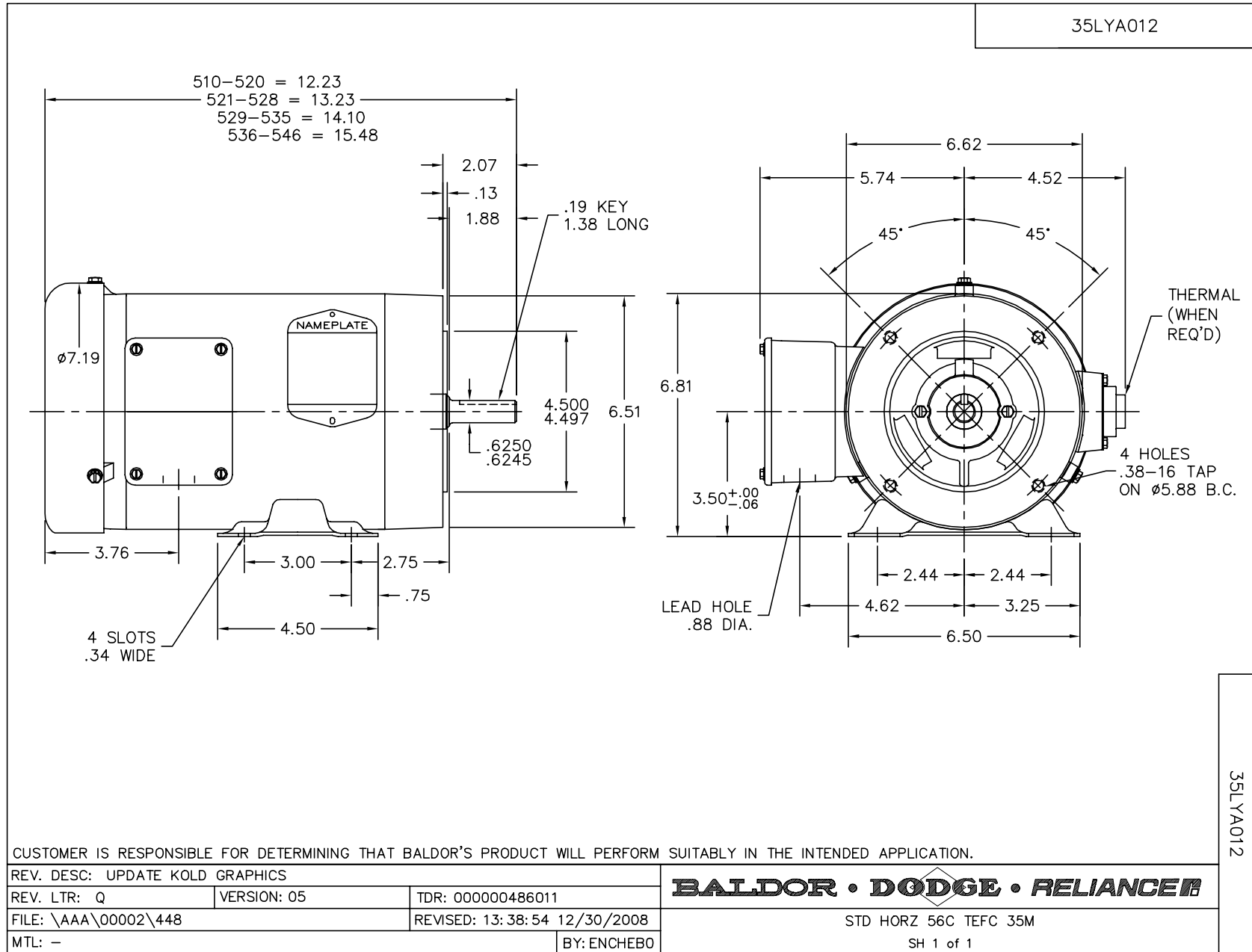
<b>Full Load Torque:</b>	4.5 LB-FT	<b>Start Configuration:</b>	DOL
<b>No-Load Current:</b>	1.4 Amps	<b>Break-Down Torque:</b>	14.0 LB-FT
<b>Line-line Res. @ 25°C.:</b>	24.9 Ohms A Ph / 0.0 Ohms B Ph	<b>Pull-Up Torque:</b>	10.2 LB-FT
<b>Temp. Rise @ Rated Load:</b>	70°C	<b>Locked-Rotor Torque:</b>	10.2 LB-FT
<b>Temp. Rise @ S.F. Load:</b>	82°C	<b>Starting Current:</b>	8.0 Amps

**Load Characteristics**

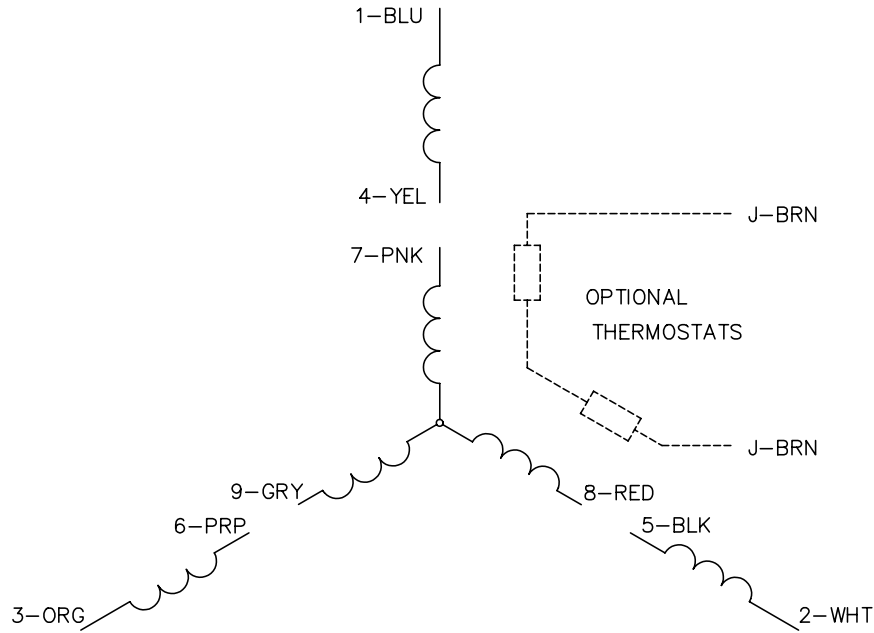
<b>% of Rated Load:</b>	<b>25</b>	<b>50</b>	<b>75</b>	<b>100</b>	<b>125</b>	<b>150</b>	<b>S.F.</b>
<b>Power Factor:</b>	31.0	47.0	58.0	66.0	72.0	77.0	70.0
<b>Efficiency:</b>	59.6	71.1	74.1	74.6	73.9	71.7	74.2
<b>Speed:</b>	1186.0	1173.0	1160.0	1146.0	1131.0	1109.0	1137.0
<b>Line Amperes:</b>	1.5	1.6	1.7	1.9	2.2	2.5	2.1

Performance Graph at 460V, 60Hz, 1.0HP (Typical performance - Not guaranteed values)

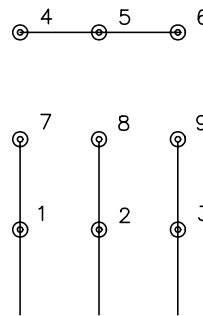




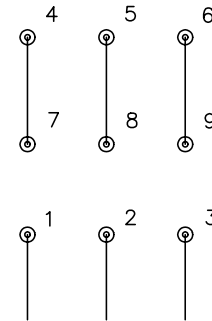
CD0005



LOW VOLTAGE  
(2Y)



HIGH VOLTAGE  
(1Y)



NOTES:

1. INTERCHANGE ANY TWO LINE LEADS TO REVERSE ROTATION.
2. OPTIONAL THERMOSTATS ARE PROVIDED WHEN SPECIFIED.
3. ACTUAL NUMBER OF INTERNAL PARALLEL CIRCUITS MAY BE A MULTIPLE OF THOSE SHOWN ABOVE.
4. LEAD COLORS ARE OPTIONAL. LEADS MUST ALWAYS BE NUMBERED AS SHOWN.

REV. DESC: REVISE TO SHOW OPTIONAL COLORS			
REV. LTR: E	BY: JLP	REVISED: 01/19/99 10:15	TDR: 0171435
900000		FILE: AAA00005140	MDL: -
		MTL: -	

**BALDOR ELECTRIC Co.**

3PH, DV, 9 LEADS

CD0005