



# **BALDOR® • *RELIANCE***

## **Product Information Packet**

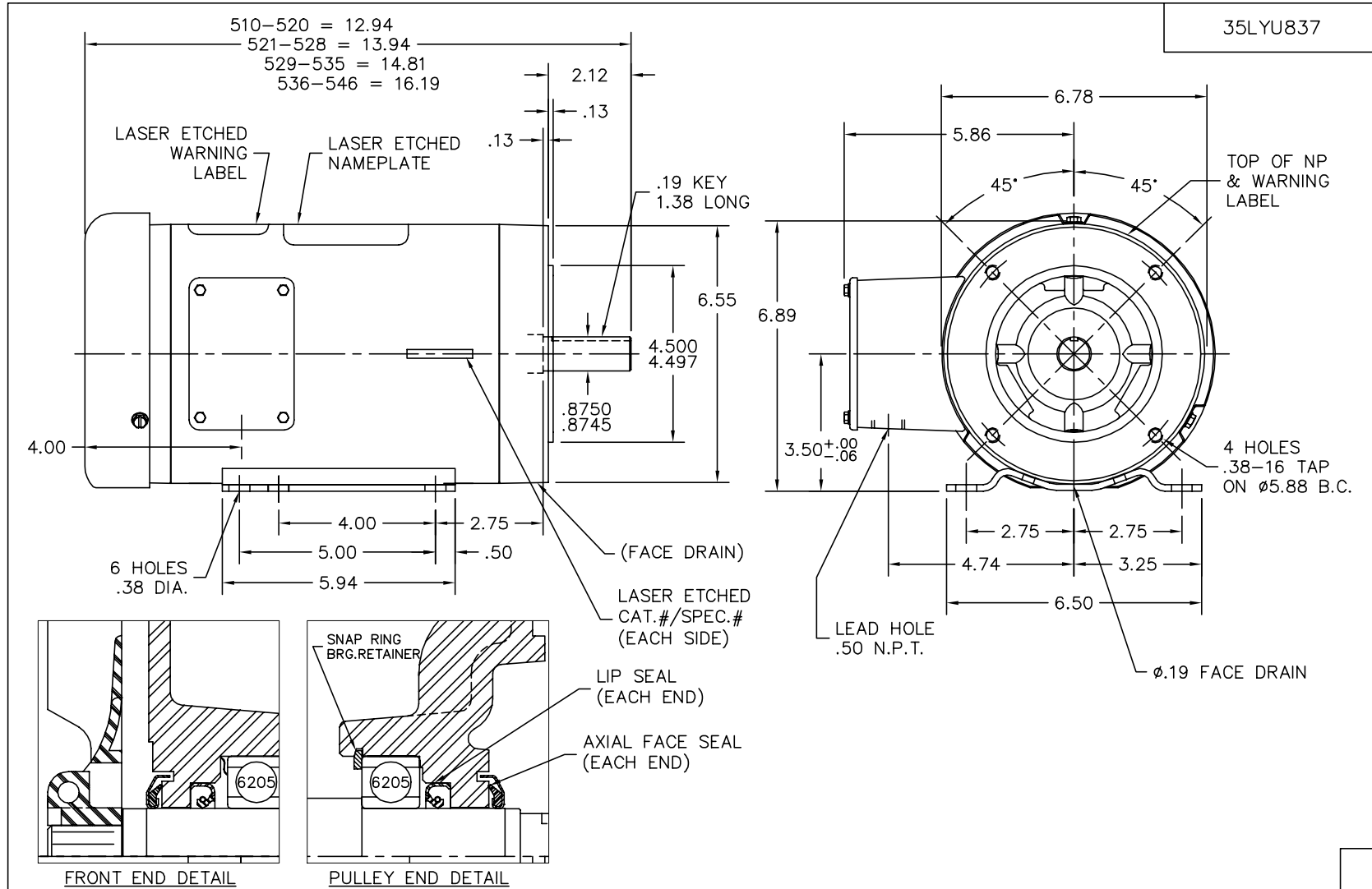
# **CSSEWDM3558T**

**2HP,1750RPM,3PH,60HZ,145TC,3540M,TEFC,F1**

Product Detail							
<b>Revision:</b>	B	<b>Status:</b>	PRD/A	<b>Change #:</b>		<b>Proprietary:</b>	No
<b>Type:</b>	AC	<b>Prod Type:</b>	3540M	<b>Elec. Spec:</b>	35WGP960	<b>CD Diagram:</b>	CD0005
<b>Enclosure</b>	TEFC	<b>Mfg Plant:</b>		<b>Mech Spec:</b>	35U837	<b>Layout:</b>	35LYU837
<b>Frame:</b>	145TC	<b>Mounting:</b>	F1	<b>Poles:</b>	04	<b>Created Date:</b>	04-21-2008
<b>Base:</b>	RG	<b>Rotation:</b>	R	<b>Insulation:</b>	H	<b>Eff. Date:</b>	10-24-2008
<b>Leads:</b>	9#18	<b>Literature:</b>		<b>Elec. Diagram:</b>		<b>Replaced By:</b>	

<b>Parts List</b>			
<b>Product ID</b>	<b>Description</b>	<b>Quantity</b>	<b>List Price</b>
SA170315	SA 35U837P960G1	1.000	860.00
RA158562	RA 35U837P960G1	1.000	717.00
34FN3002B01	EXTERNAL FAN, PLASTIC, .637/.639 HUB W/	1.000	15.00
11XW1032G06	10-32 X .38, TAPTITE II, HEX WSHR SLTD U	1.000	3.00
35FE1917A01	FR EP TEFC 205 BRG NO GR SR (STAINLESS)	1.000	431.00
HW4510A01	MEMBRANE VENT (DRAIN) W/O-RING (GORE)	1.000	43.00
HW4600B60	CR#9686 .984 X 1.499 X .25 SINGLE LIP	1.000	24.00
HW4600E99	AXIAL FACE SEAL 76925-9042-0447 SS CASE	1.000	52.00
RM1070A25	O-RING,6.12 ID X.062 C.S.-NOM C.S.=.070	1.000	21.00
HW5100A05	WVY WSHR F/205 & 304 BRGS	1.000	2.00
35PE1916A01	PULLEY 56C ENCL 205 BRG (STAINLESS)	1.000	752.00
HW4600B60	CR#9686 .984 X 1.499 X .25 SINGLE LIP	1.000	24.00
RM1070A25	O-RING,6.12 ID X.062 C.S.-NOM C.S.=.070	1.000	21.00
HW4600E99	AXIAL FACE SEAL 76925-9042-0447 SS CASE	1.000	52.00
51XB1214A16	12-14X1.00 HXWSSLD SERTYB	1.000	2.00
35FH4005A39	IEC FH NO GREASER (#304 SS)CLEAN ONLY	1.000	35.00
10XN1032S06	HEX HD CAP SCREW, SS	3.000	2.00
RM1070A26	O-RING,4.5MM I.D.X1.5MM C.S. (VITON)	4.000	2.00
36GS3008SP	WHITE NEOPREME KO BOX LID GASKET	1.000	3.00
35CB4515	35 CB LID #304 STAINLESS STEEL	1.000	3.00
59XN0832S07	8/32 X 7/16 HX WS HD SER X	4.000	2.00
HW2502D13	SS KEY, 3/16 SQ X 1.375	1.000	2.00
HA7000A01	KEY RETAINER 7/8" DIA SHAFT	1.000	2.00
MJ5001A01	46-665 RED SEALER	0.005	57.00

<b>Parts List (continued)</b>			
<b>Product ID</b>	<b>Description</b>	<b>Quantity</b>	<b>List Price</b>
MJ1000A02	GREASE, POLYREX EM EXXON	0.050	10.00
WD4006A07	WIRE JOINT,SILICONE FILLED FOR WATERTIGH	9.000	11.00
HA3100S10	THRUBOLT 11.50LG SS	4.000	10.00
LB1125C02	SUPER-E (STOCK CTN LABEL SUPER-E WITH FL	1.000	2.00
LB1357	ENERGY GUIDE LABEL (BOX LABEL)	1.000	2.00
36PA1000	PACK GROUP W/LB5001	1.000	17.00



CUSTOMER IS RESPONSIBLE FOR DETERMINING THAT MOTOR PERFORMANCE IS SUITABLE IN THE APPLICATION.

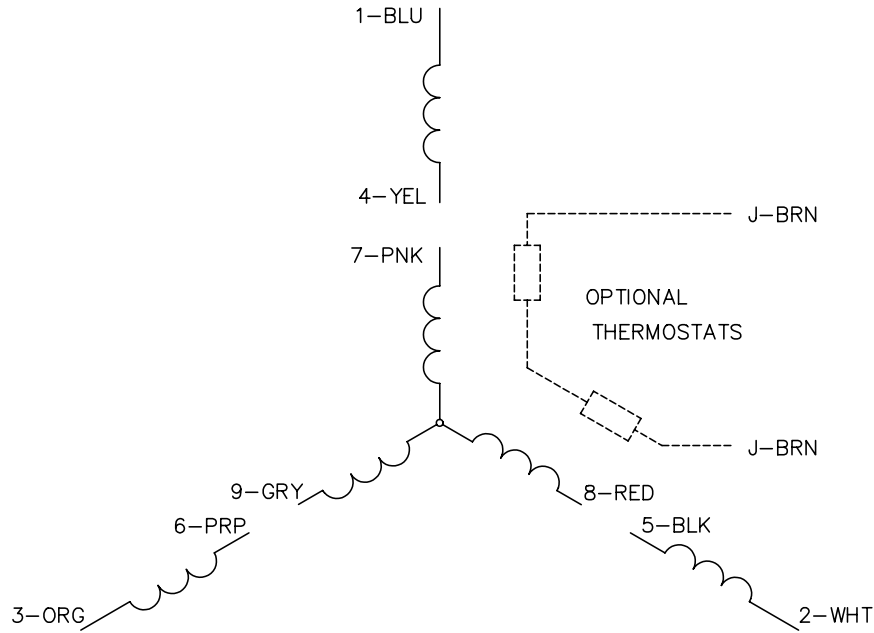
REV. DESC: UPDATED TO USE NEW LASER NP/WARNING LABEL PATTERN		
REV. LTR: E	VERSION: 05	TDR: 000000409948
35LYU837	FILE: \AAA\00123\372	REVISED: 10:46:34 04/30/2007
	MTL: -	BY: ENBRYPO

**BALDOR ELECTRIC Co.**

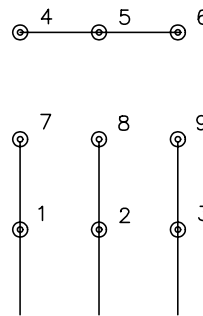
HOR 143-5TC TEFC 35M WD8 LOCKED PU BRG

35LYU837

CD0005

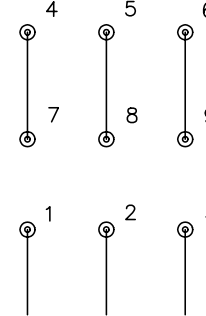


LOW VOLTAGE  
(2Y)



LINE

HIGH VOLTAGE  
(1Y)



LINE

NOTES:

1. INTERCHANGE ANY TWO LINE LEADS TO REVERSE ROTATION.
2. OPTIONAL THERMOSTATS ARE PROVIDED WHEN SPECIFIED.
3. ACTUAL NUMBER OF INTERNAL PARALLEL CIRCUITS MAY BE A MULTIPLE OF THOSE SHOWN ABOVE.
4. LEAD COLORS ARE OPTIONAL. LEADS MUST ALWAYS BE NUMBERED AS SHOWN.

REV. DESC: REVISE TO SHOW OPTIONAL COLORS			
REV. LTR: E	BY: JLP	REVISED: 01/19/99 10:15	TDR: 0171435
900000		FILE: AAA00005140	MDL: -
		MTL: -	

**BALDOR ELECTRIC Co.**

3PH, DV, 9 LEADS

CD0005