



BALDOR® • *RELIANCE*

Product Information Packet

CSWDM3546T

1HP,1725RPM,3PH,60HZ,143TC,3524M,TENV,F1

Product Detail							
Revision:	E	Status:	PRD/A	Change #:		Proprietary:	No
Type:	AC	Prod Type:	3524M	Elec. Spec:	35WGY102	CD Diagram:	CD0005
Enclosure	TENV	Mfg Plant:		Mech Spec:	35S621	Layout:	35LYS621
Frame:	143TC	Mounting:	F1	Poles:	04	Created Date:	
Base:	RG	Rotation:	R	Insulation:	F	Eff. Date:	02-18-2008
Leads:	9#18	Literature:		Elec. Diagram:		Replaced By:	

Nameplate NP1496L									
CAT.NO.	CSWDM3546T								
SPEC.	35S621Y102G1								
HP	1								
VOLTS	208-230/460								
AMP	3.5-3.2/1.6								
RPM	1725								
FRAME	143TC	HZ			60	PH	3		
SER.F.	1.15	CODE			L	DES	B	CLASS	F
NEMA-NOM-EFF	81.5	PF			74				
RATING	40C AMB-CONT								
CC				USABLE AT 208V		3.5			
DE	6205	ODE			6203				
ENCL	TENV	SN							

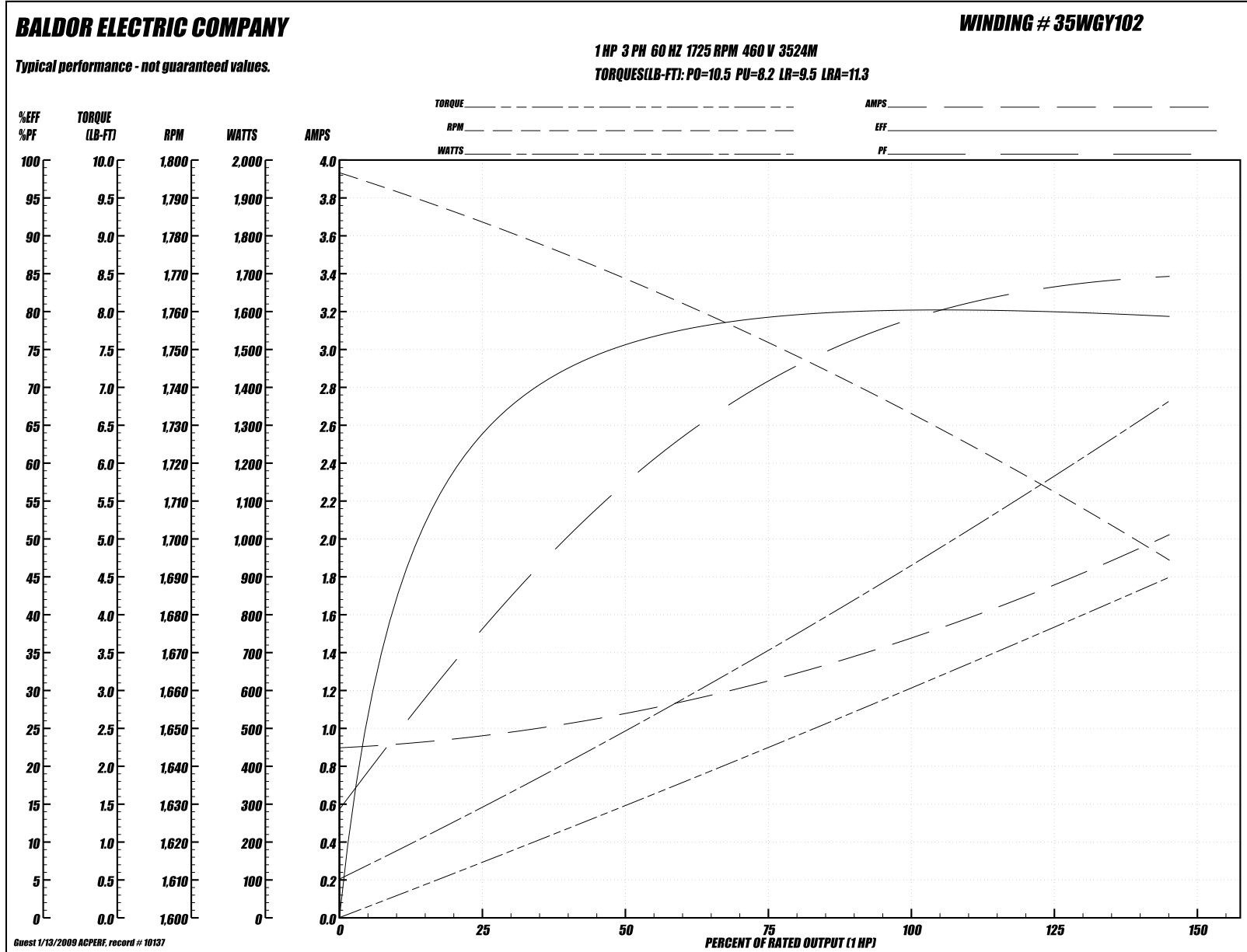
Parts List			
Product ID	Description	Quantity	List Price
SA085019	SA 35S621Y102G1	1.000	395.00
RA078168	RA 35S621Y102G1	1.000	330.00
NS2512A01	INSULATOR, CONDUIT BOX X X	1.000	2.00
35CB5001A03	CONDUIT BOX KIT, FOR SUPER II WASHDOWN	1.000	48.00
11XW1032G06	10-32 X .38, TAPTITE II, HEX WSHR SLTD U	1.000	3.00
35EP3100M72MU	SPL FR EP-ENCL-203 BRG-DIE CAST ALUM(BAL	1.000	51.00
HW4500A33	1/8 NPT STAINLESS,HOLO-KROME #13002,PRES	3.000	3.00
HW5100A03SP	WAVY WASHER (W1543-017)	1.000	2.00
35EP3300A75MU	PU E.P., CAST-FACE MTD-56C-205 BRG(BALL	1.000	98.00
HW4500A33	1/8 NPT STAINLESS,HOLO-KROME #13002,PRES	3.000	3.00
HW4606A02	JM CLIPPER/SEAL (LWE-0938-1624-AL23)	1.000	46.00
12XN1032S20	10-32 X 1-1/4 HEX M.S. , STAINLESS STEEL	2.000	3.00
HA1049A01	DUBO LOK WASHER SIZE 10 (NYLON LOCK SEAL	2.000	2.00
HA1049A01	DUBO LOK WASHER SIZE 10 (NYLON LOCK SEAL	4.000	2.00
HW2502D13	SS KEY, 3/16 SQ X 1.375	1.000	2.00
HA7000A01	KEY RETAINER 7/8" DIA SHAFT	1.000	2.00
MJ5001A02	732 CL SEALANT 3 OZ DIXIE BEARING 289100	0.001	23.00
10XF0440S02	04-40 X 1/8 TYPE F HEX HD STAINLESS STIC	2.000	2.00
LB1164	LABEL,WARNING AND DRAIN F/HOSE DOWN	1.000	2.00
MJ1000A02	GREASE, POLYREX EM EXXON	0.050	10.00
HA3100S24	THRUBOLT 8.625 LENGTH 1.250 TH LENGTH SS	4.000	4.00
LB1125C01	STD (STOCK) CARTON LABEL BALDOR WITH FLA	1.000	2.00
LC0005	CONN.DIA.,TYPE M,9-LD,DUAL VOLTAGE,REVER	1.000	2.00
NP1496L	STD NP S.S.WASHDOWN W/ WD GRAPHICS LASER	1.000	

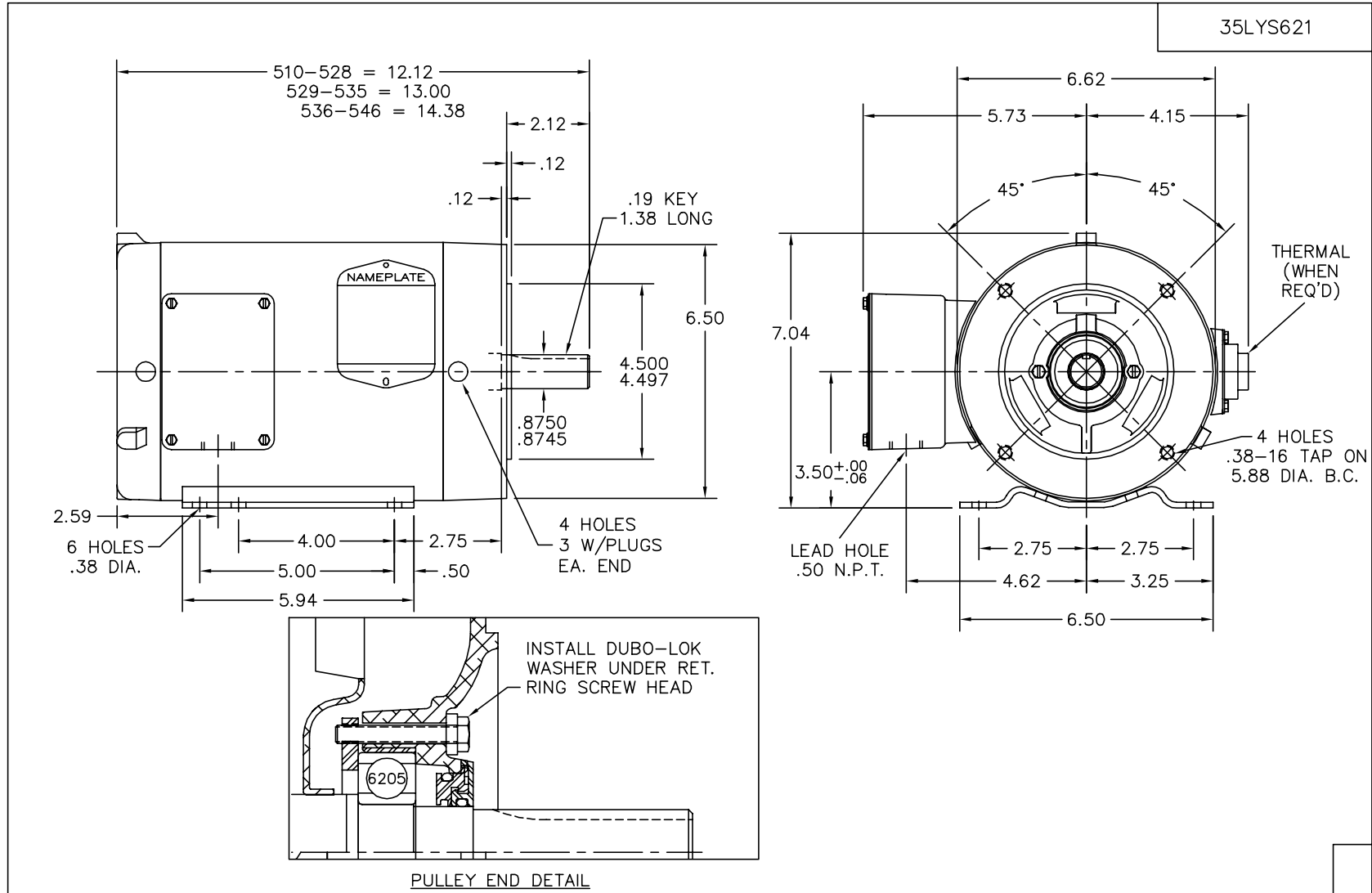
Parts List (continued)			
Product ID	Description	Quantity	List Price
PA1000	PACKING GROUP 3500 SHORT	1.000	8.00

Performance Data at 460V, 60Hz, 1.0HP (Typical performance - Not guaranteed values)

General Characteristics							
Full Load Torque:	3.0 LB-FT			Start Configuration:	DOL		
No-Load Current:	0.9 Amps			Break-Down Torque:	10.5 LB-FT		
Line-line Res. @ 25°C.:	19.1 Ohms A Ph / 0.0 Ohms B Ph			Pull-Up Torque:	8.2 LB-FT		
Temp. Rise @ Rated Load:	79°C			Locked-Rotor Torque:	9.5 LB-FT		
Temp. Rise @ S.F. Load:	0°C			Starting Current:	11.3 Amps		
Load Characteristics							
% of Rated Load:	25	50	75	100	125	150	S.F.
Power Factor:	38.0	58.0	71.0	79.0	85.0	88.0	0.0
Efficiency:	63.7	75.4	79.3	80.4	80.2	79.2	0.0
Speed:	1783.0	1768.0	1752.0	1734.0	1715.0	1694.0	0.0
Line Amperes:	0.96	1.08	1.25	1.47	1.73	2.02	0.0

Performance Graph at 460V, 60Hz, 1.0HP (Typical performance - Not guaranteed values)





CUSTOMER IS RESPONSIBLE FOR DETERMINING THAT MOTOR PERFORMANCE IS SUITABLE IN THE APPLICATION.

REV. DESC: UPDATE LAYOUT PER BOM, FREP

REV. LTR: B

VERSION: 02

TDR: 000000460581

BALDOR • DODGE • RELIANCE

1Z9SA17C

FILE: \AAA\00093\169

REVISED: 12:48:50 03/27/2008

HORZ 143-5TC TENV 35M WD2 (PAINT FREE)

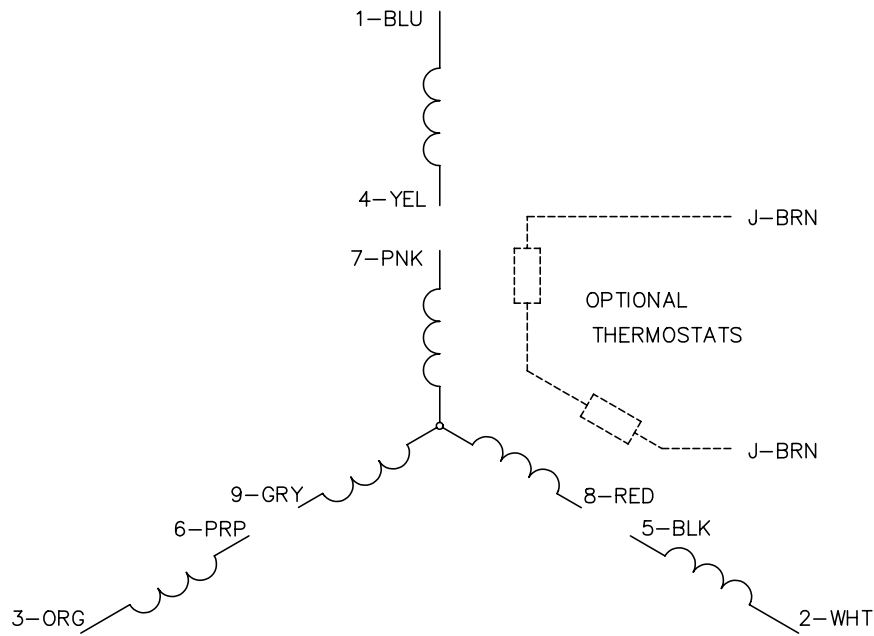
MTL: -

BY: ENODIDO

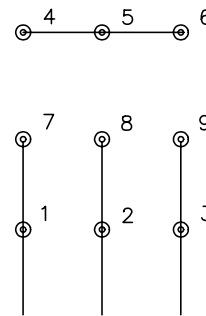
SH 1 of 1

35LYS621

CD0005

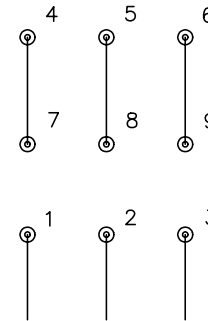


LOW VOLTAGE
(2Y)



LINE

HIGH VOLTAGE
(1Y)



LINE

NOTES:

1. INTERCHANGE ANY TWO LINE LEADS TO REVERSE ROTATION.
2. OPTIONAL THERMOSTATS ARE PROVIDED WHEN SPECIFIED.
3. ACTUAL NUMBER OF INTERNAL PARALLEL CIRCUITS MAY BE A MULTIPLE OF THOSE SHOWN ABOVE.
4. LEAD COLORS ARE OPTIONAL. LEADS MUST ALWAYS BE NUMBERED AS SHOWN.

REV. DESC: REVISE TO SHOW OPTIONAL COLORS			
REV. LTR: E	BY: JLP	REVISED: 01/19/99 10:15	TDR: 0171435
900000		FILE: AAA00005140	MDL: -
		MTL: -	

BALDOR ELECTRIC Co.

3PH, DV, 9 LEADS

CD0005