



BALDOR® • *RELIANCE*

Product Information Packet

CSWDM3611T

3HP,1750RPM,3PH,60HZ,182TC,3628M,TEFC,F1

Product Detail							
Revision:	G	Status:	PRD/A	Change #:		Proprietary:	No
Type:	AC	Prod Type:	3628M	Elec. Spec:	36WGX865	CD Diagram:	CD0005
Enclosure	TEFC	Mfg Plant:		Mech Spec:	36K196	Layout:	36LYK196
Frame:	182TC	Mounting:	F1	Poles:	04	Created Date:	
Base:	RG	Rotation:	R	Insulation:	F	Eff. Date:	01-08-2009
Leads:	9#16	Literature:		Elec. Diagram:		Replaced By:	

Nameplate NP1496L

CAT.NO.	CSWDM3611T						
SPEC.	36K196X865H1						
HP	3						
VOLTS	208-230/460						
AMP	8.5-8.2/4.1						
RPM	1750						
FRAME	182TC	HZ	60	PH	3		
SER.F.	1.15	CODE	K	DES	B	CLASS	F
NEMA-NOM-EFF	87.5	PF	78				
RATING	40C AMB-CONT						
CC	010A	USABLE AT 208V	8.5				
DE	6206	ODE	6205				
ENCL	TEFC	SN					

Parts List			
Product ID	Description	Quantity	List Price
SA084982	SA 36K196X865H1	1.000	623.00
RA078132	RA 36K196X865H1	1.000	519.00
36CB3005A03MU	36 CB .75 NPT @ 6, BALL BURNISHED	1.000	41.00
35GS1022A03SP	GASKET BOX .125 THK WHITE NEOPRENE	1.000	3.00
51XB1016A08	10-16X 1/2HXWSSLD SERTYB	2.000	2.00
11XW1032G06	10-32 X .38, TAPTITE II, HEX WSHR SLTD U	1.000	3.00
36EP3101B27MU	FR EP,205 BRG-ENCL, (FOR S.P. #9D)	1.000	86.00
HW4500A33	1/8 NPT STAINLESS,HOLO-KROME #13002,PRES	3.000	3.00
HW5100A05	WVY WSHR F/205 & 304 BRGS	1.000	2.00
36EP3301A32MU	PU EP,182-4TC 206 BRG OIL SEAL NO GSR-BA	1.000	145.00
HW4500A33	1/8 NPT STAINLESS,HOLO-KROME #13002,PRES	3.000	3.00
HW4606A03	JM CLIPPER/SEAL (LWE-1156-1875-AL44)	1.000	41.00
10XN2520S28	1/4-20X 1 3/4 HEX HD SS X	4.000	1.00
HA1049A02	DUBO LOK WASHER SIZE 1/4 (NYLON LOCK SEA	4.000	2.00
HA1049A02	DUBO LOK WASHER SIZE 1/4 (NYLON LOCK SEA	4.000	2.00
51XB1214A16	12-14X1.00 HXWSSLD SERTYB	1.000	2.00
36FH4011	WASHDOWN FAN COVER #304 STAINLESS W/NOTC	1.000	61.00
10XN1032S06	HEX HD CAP SCREW, SS	3.000	2.00
36CB4517	36 LIPPED CB LID #304 STAINLESS STEEL	1.000	10.00
37GS3010SP	1/16"WHITE LID GASKET	1.000	2.00
59XW0832S07	TAPTITE II,HEX WSHR UNSLTD SER,410 S.S.,	4.000	2.00
HW1003S08	WASHER, #8 EX TH LK, SS	4.000	2.00
HA1005A03SP	6-1119 SLINGER, .937 I.D. X 1.75 O.D. X	1.000	3.00
HW2502E16	SS KEY 1/4 X 1.750 X	1.000	4.00

Parts List (continued)			
Product ID	Description	Quantity	List Price
HA7000A02	KEY RETAINER RING, 1 1/8 DIA, 1 3/8 DIA	1.000	2.00
MJ5001A02	732 CL SEALANT 3 OZ DIXIE BEARING 289100	0.001	23.00
10XF0440S02	04-40 X 1/8 TYPE F HEX HD STAINLESS STIC	2.000	2.00
LB1164	LABEL,WARNING AND DRAIN F/HOSE DOWN	1.000	2.00
MJ1000A02	GREASE, POLYREX EM EXXON	0.050	10.00
S/P101-000-000	EPACT PROCEDURES-FS PLANT-POLYREX EM, NO	1.000	
HA3101S45	THRUBOLT 1/4-20 X 11.125 SS TDR #23687	4.000	10.00
36FN3000C01SP	FAN EXTERNAL,PLASTIC, 5.25 OD, .912/.907	1.000	15.00
LB1125C04	STD-E (STOCK CTN LABEL STD-E WITH FLAG)	1.000	2.00
LC0005	CONN.DIA.,TYPE M,9-LD,DUAL VOLTAGE,REVER	1.000	2.00
NP1496L	STD NP S.S.WASHDOWN W/ WD GRAPHICS LASER	1.000	
36PA1001	PACKAGING GROUP	1.000	25.00

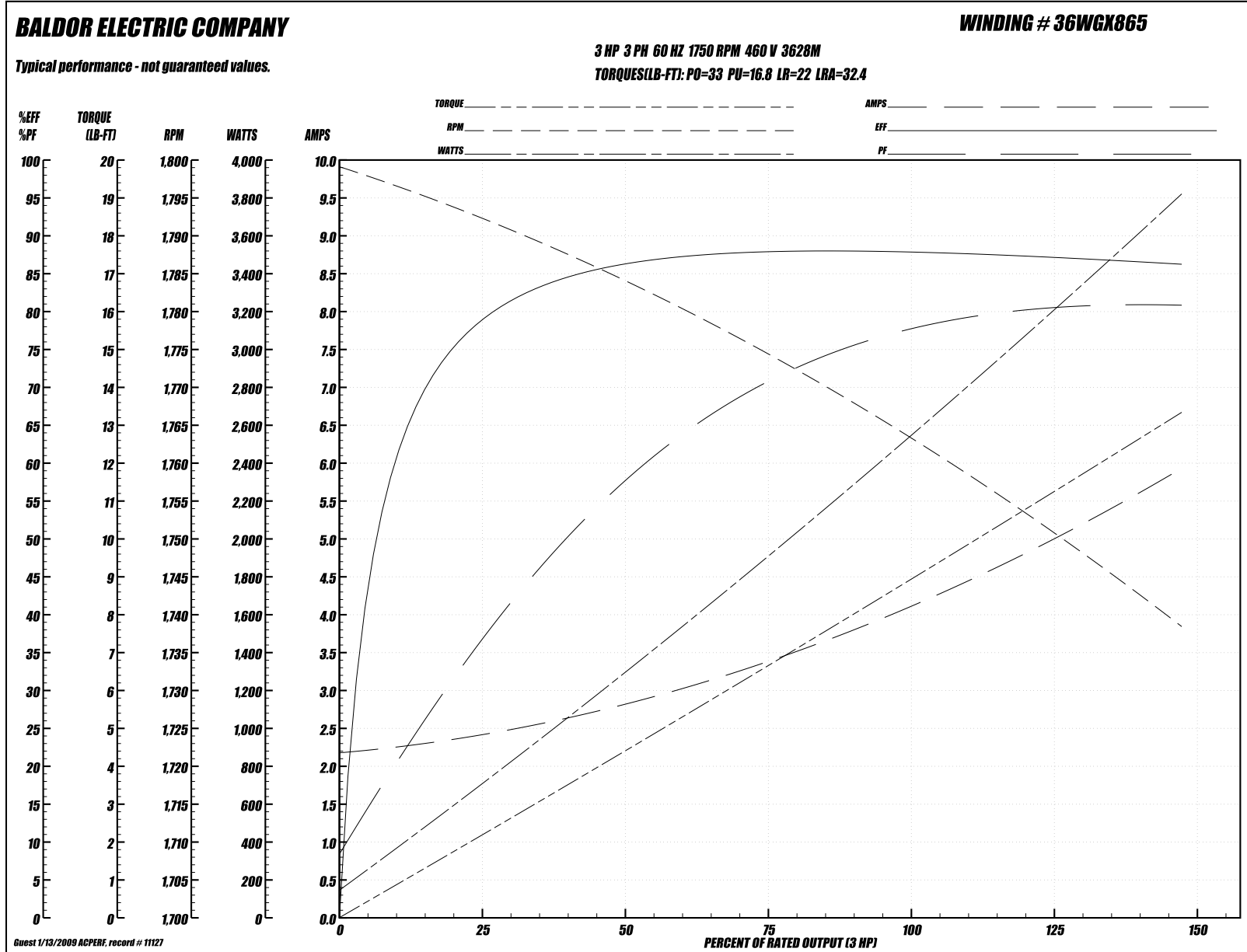
Performance Data at 460V, 60Hz, 3.0HP (Typical performance - Not guaranteed values)
General Characteristics

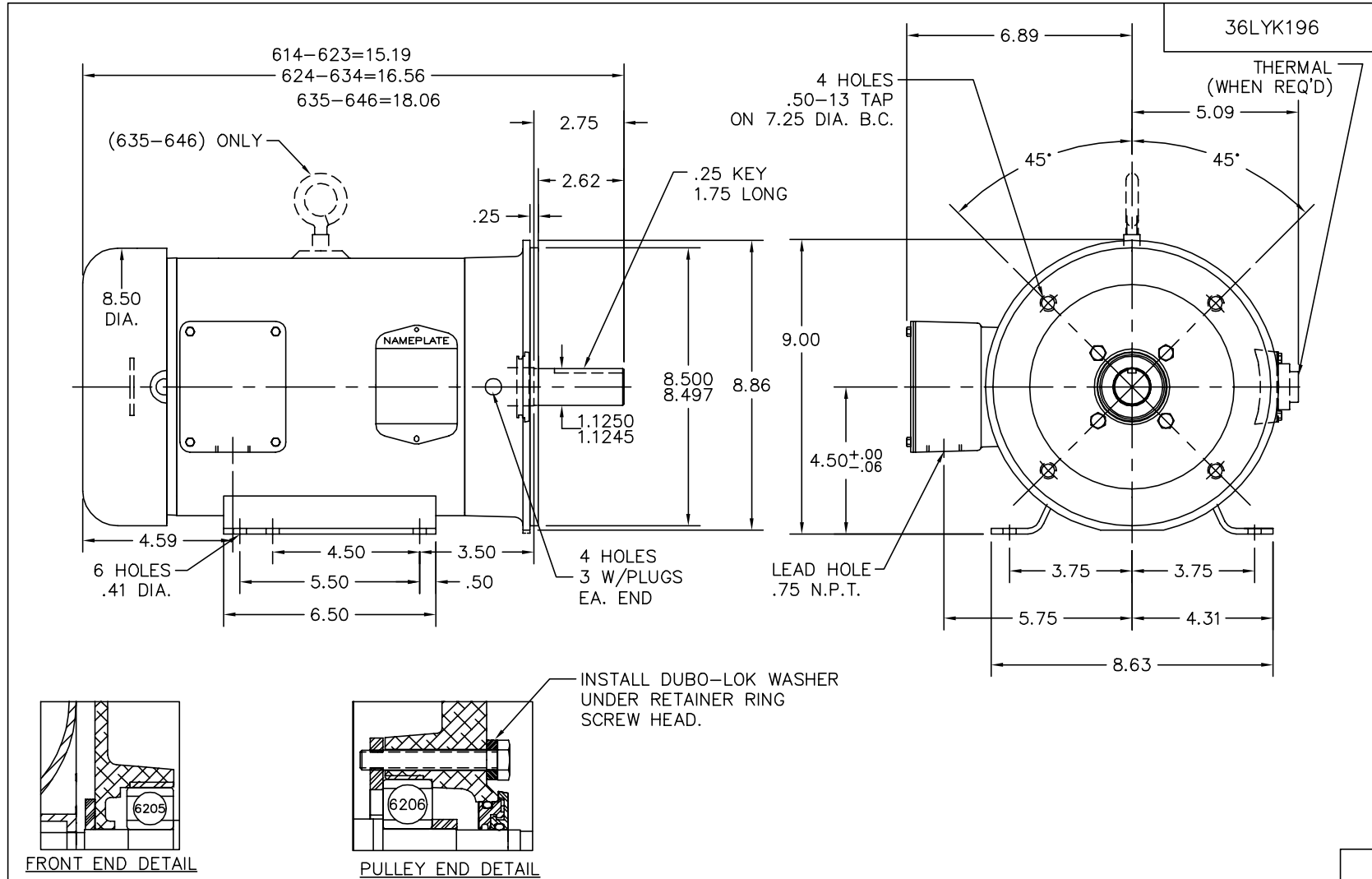
Full Load Torque:	8.9 LB-FT	Start Configuration:	DOL
No-Load Current:	2.2 Amps	Break-Down Torque:	33.0 LB-FT
Line-line Res. @ 25°C.:	4.28 Ohms A Ph / 0.0 Ohms B Ph	Pull-Up Torque:	16.8 LB-FT
Temp. Rise @ Rated Load:	36°C	Locked-Rotor Torque:	22.0 LB-FT
Temp. Rise @ S.F. Load:	42°C	Starting Current:	32.4 Amps

Load Characteristics

% of Rated Load:	25	50	75	100	125	150	S.F.
Power Factor:	38.0	59.0	71.0	78.0	80.0	81.0	79.0
Efficiency:	78.4	86.1	87.8	88.1	87.4	86.1	87.7
Speed:	1793.0	1783.0	1774.0	1764.0	1752.0	1738.0	1757.0
Line Amperes:	2.4	2.8	3.4	4.1	5.0	5.9	4.6

Performance Graph at 460V, 60Hz, 3.0HP (Typical performance - Not guaranteed values)





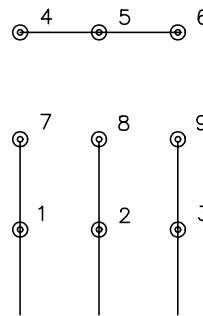
CUSTOMER IS RESPONSIBLE FOR DETERMINING THAT MOTOR PERFORMANCE IS SUITABLE IN THE APPLICATION.

REV. DESC: ADDED DRAIN PLUGS			BALDOR ELECTRIC Co.	36LYK196
REV. LTR: A	VERSION: 01	TDR: 000000374458		
961K179C	FILE: \AAA\00093\088	REVISED: 09:55:53 08/26/2005	STD HORZ 182-4TC TEFC 36M WD2 (PAINT FREE)	
	MTL: -	BY: ENKENTO		

CD0005

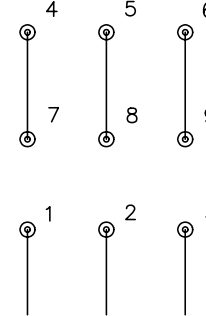


LOW VOLTAGE
(2Y)



LINE

HIGH VOLTAGE
(1Y)



LINE

NOTES:

1. INTERCHANGE ANY TWO LINE LEADS TO REVERSE ROTATION.
2. OPTIONAL THERMOSTATS ARE PROVIDED WHEN SPECIFIED.
3. ACTUAL NUMBER OF INTERNAL PARALLEL CIRCUITS MAY BE A MULTIPLE OF THOSE SHOWN ABOVE.
4. LEAD COLORS ARE OPTIONAL. LEADS MUST ALWAYS BE NUMBERED AS SHOWN.

REV. DESC: REVISE TO SHOW OPTIONAL COLORS			
REV. LTR: E	BY: JLP	REVISED: 01/19/99 10:15	TDR: 0171435
900000		FILE: AAA00005140	MDL: -
		MTL: -	

BALDOR ELECTRIC Co.

3PH, DV, 9 LEADS

CD0005