



BALDOR® • *RELIANCE*

Product Information Packet

CTM2276T

7.5HP,1160RPM,3PH,60HZ,254T,3756M,TEAO,F

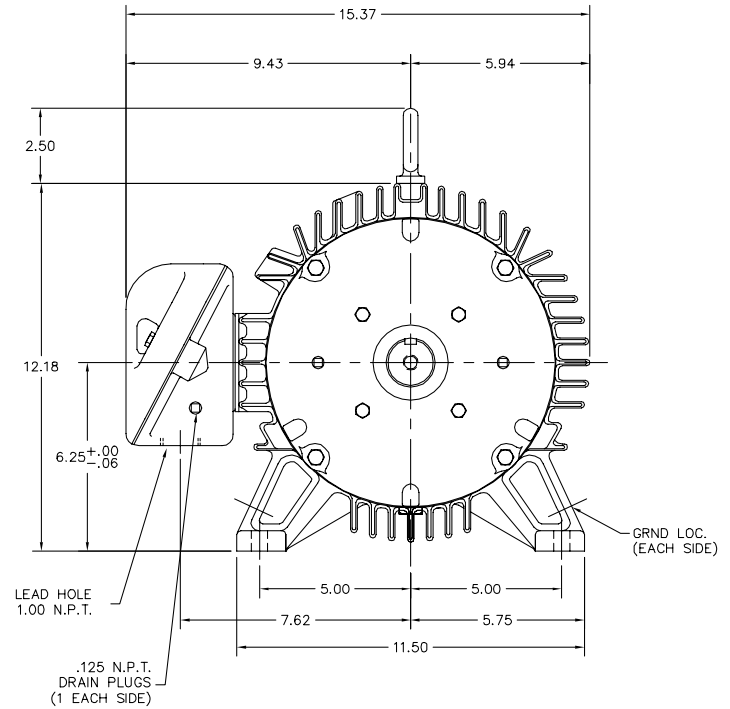
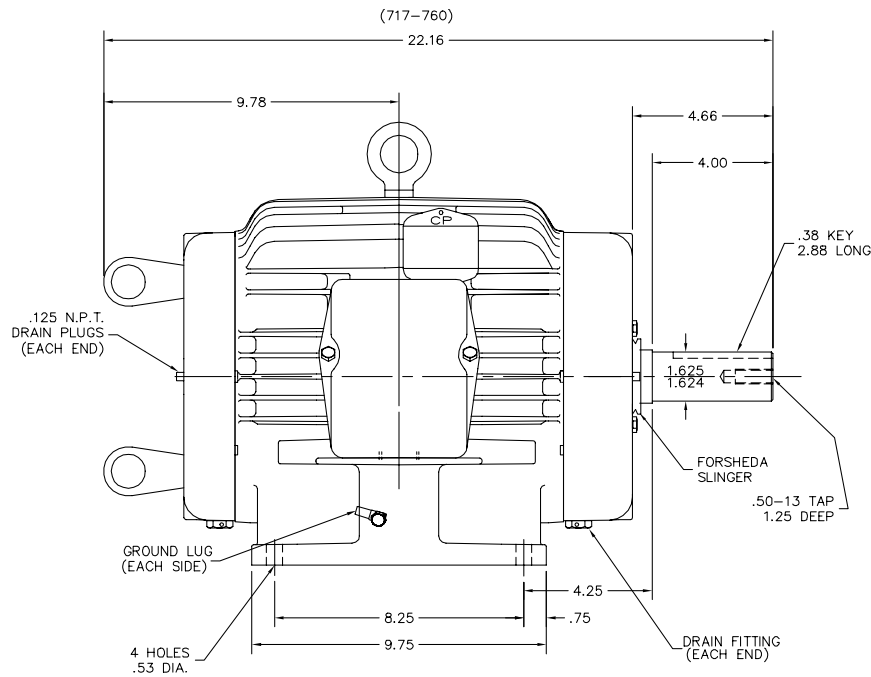
Product Detail							
Revision:	D	Status:	PRD/A	Change #:		Proprietary:	No
Type:	AC	Prod Type:	0756M	Elec. Spec:	07WGX825	CD Diagram:	CD0005
Enclosure	TEAO	Mfg Plant:		Mech Spec:	07J566	Layout:	07LYJ566
Frame:	254T	Mounting:	F1	Poles:	06	Created Date:	03-06-2006
Base:	RG	Rotation:	R	Insulation:	F	Eff. Date:	12-22-2008
Leads:	9#14	Literature:		Elec. Diagram:		Replaced By:	

Nameplate NP1258E							
CAT.NO.	CTM2276T						
SPEC.	07J566X825H1						
HP	7.5						
VOLTS	208-230/460						
AMP	24-21.8/10.9						
RPM	1160						
FRAME	254T	HZ	60	PH	3		
SER.F.	1.15	CODE	K	DES	A	CL	F
NEMA-NOM-EFF	89.5	PF	72				
RATING	40C AMB-CONT						
CC	010A	USABLE AT 208V					
DE	6309	ODE	6206				
ENCL	TEAO	SN					
	1275 FPM AT 170CFM						

Parts List			
Product ID	Description	Quantity	List Price
SA139870	SA 07J566X825H1	1.000	938.00
RA129314	RA 07J566X825H1	1.000	782.00
37FN3002B01	EXTERNAL FAN, PLASTIC, 7.50 BLADE, 1.15	1.000	10.00
S/P101-000-000	EPACT PROCEDURES-FS PLANT-POLYREX EM, NO	1.000	
HW3201A01	1/2-13 EYEBOLT	1.000	15.00
HA7205	"L" SHAPE LIFTING LUG FOR 37,39 & 40 FRA	2.000	8.00
09CB1002A26G	KOBX W/1.00 NPT LD HL .25-20 TAP FOR LID	1.000	59.00
RM1017	LEAD SEPERATOR GASKET MODEL 307 1/8" THK	1.000	18.00
51XW2520A12	.25-20 X .75, TAPTITE II, HEX WSHR SLTD	2.000	2.00
HA4044A00	PLUG,PIPE 1/8 NPT PLASTIC SQUARE HEAD	2.000	2.00
11XW1032G06	10-32 X .38, TAPTITE II, HEX WSHR SLTD U	1.000	3.00
HW3001A01	D3019 BRASS WASHER(STIMP)	1.000	2.00
10XN2520S06	1/4 20X3/8 HX HD CAP S.S.	2.000	2.00
WD1000B16	KPA-4C BURNDY TERMINAL	2.000	4.00
37EP1100C42G	35 EP FR TENV 206 BRG NO GR SR .125 NPT(E	1.000	217.00
HA4001A01SP	DRAIN PLUG, PLASTIC (MICRO PLAS)	1.000	2.00
HA4044A00	PLUG,PIPE 1/8 NPT PLASTIC SQUARE HEAD	2.000	2.00
HW5100A06	W2420-025 WVY WSHR (WB)	1.000	2.00
07EP1116A36G	PUEP, 309 LOCK BRG, (3).125 NPT(GRAY)	1.000	256.00
HA4001A01SP	DRAIN PLUG, PLASTIC (MICRO PLAS)	1.000	2.00
HA4044A00	PLUG,PIPE 1/8 NPT PLASTIC SQUARE HEAD	2.000	2.00
10XN2520A32	1/4 X 2 HEX HEAD CAP SCR, GRADE 2	4.000	2.00
XY3118A12	5/16-18 HEX NUT DIRECTIONAL SERRATION	4.000	2.00
12CB1503A01G	CONDUIT BOX LID, MACH, WITH LIP, GREY	1.000	61.00

Parts List (continued)			
Product ID	Description	Quantity	List Price
12GS1002	GASKET, CONDUIT BOX LID, NEOP	1.000	9.00
10XN2520A24	1/4-20X 1 1/2 HEX HD X	2.000	2.00
HW1001A25	LOCKWASHER 1/4, ZINC PLT .493 OD, .255 I	2.000	2.00
HW2501G25	KEY, 3/8 SQ X 2.875	1.000	5.00
HA7000A03	KEY RETAINER RING 1.62 & 1.88 DIA. SH	1.000	2.00
HW4600B67	FORSHEDA #V45A FACE SEAL	1.000	5.00
MJ5001A01	46-665 RED SEALER	0.001	57.00
85XU0407S04	4X1/4 U DRIVE PIN STAINLESS	2.000	2.00
LB1115	LABEL,LIFTING DEVICE (ON ROLLS0	1.000	2.00
LB1002	LABEL,MARINE DUTY (ON ROLLS)	1.000	2.00
LB1182	WARNING LABEL FOR MOTORS WITH EYENUTS	1.000	6.00
MJ1000A02	GREASE, POLYREX EM EXXON	0.050	10.00
MG1025Z20	ACTIVATOR WILKOFAS 060.32	0.010	218.00
MG1025G29	PAINT 789.205 DARK GRAY METALLIC (USE W/	0.036	338.00
HA3104A25	THRUBOLT .31-18 X 14.75	4.000	2.00
LB1125C04	STD-E (STOCK CTN LABEL STD-E WITH FLAG)	1.000	2.00
LC0005E01	CONN.DIA./WARNING LABEL (LC0005/LB1119)	1.000	2.00
NP1258E	STD NAMEPLATE CP UL CSA, CC, NP STAMPED	1.000	
07PA1011	PKG GRP, 07 CAST IRON PK1181	1.000	71.00
10XL3808A28	3/8 X 1 3/4" LAG SCREW	2.000	2.00

07LYJ566



NOTE:
FOR VERTICAL SHAFT UP LIFTING,
REMOVE EYE BOLT FROM TOP OF MOTOR
AND SCREW INTO END OF SHAFT

CUSTOMER IS RESPONSIBLE FOR DETERMINING THAT MOTOR PERFORMANCE IS SUITABLE IN THE APPLICATION.

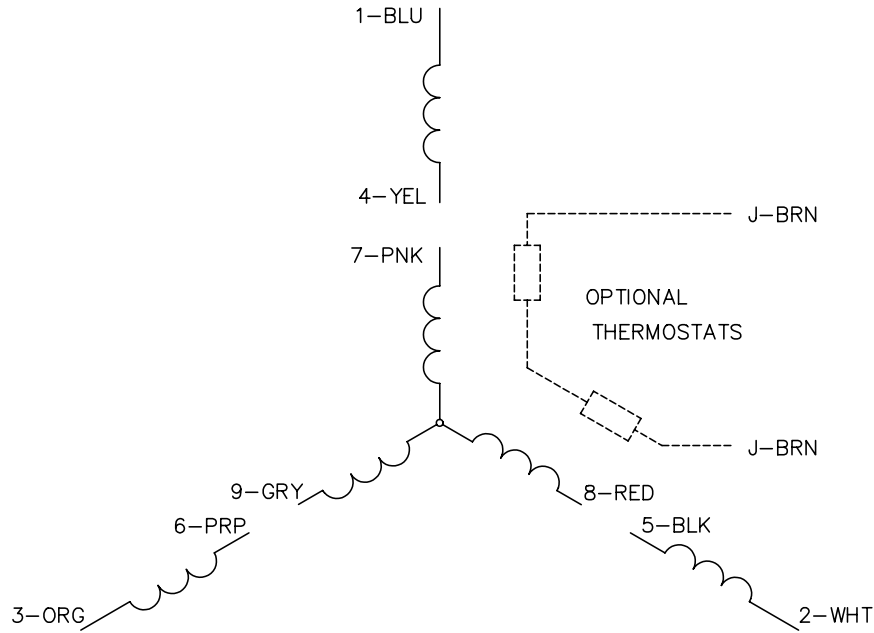
REV. DESC: REMOVE INPRO & ADD SLINGER; CHG TO SEALED BRGS		
REV. LTR: A	VERSION: 01	TDR: 000000387541
FILE: \AAA\00091\104	REVISED: 14:54:23 02/09/2006	BY: ENSTEKO
MTL: -		

BALDOR ELECTRIC Co.

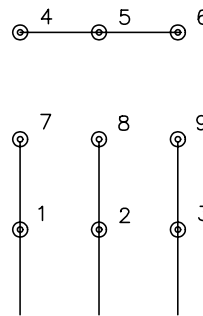
STD HORZ 254T TEAO CP COOLING TOWER, VERT LIFT, SEALED BRGS

07LYJ566

CD0005

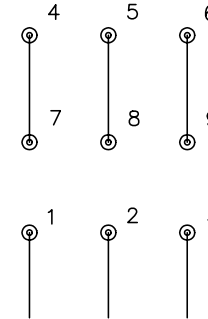


LOW VOLTAGE
(2Y)



LINE

HIGH VOLTAGE
(1Y)



LINE

NOTES:

1. INTERCHANGE ANY TWO LINE LEADS TO REVERSE ROTATION.
2. OPTIONAL THERMOSTATS ARE PROVIDED WHEN SPECIFIED.
3. ACTUAL NUMBER OF INTERNAL PARALLEL CIRCUITS MAY BE A MULTIPLE OF THOSE SHOWN ABOVE.
4. LEAD COLORS ARE OPTIONAL. LEADS MUST ALWAYS BE NUMBERED AS SHOWN.

REV. DESC: REVISE TO SHOW OPTIONAL COLORS			
REV. LTR: E	BY: JLP	REVISED: 01/19/99 10:15	TDR: 0171435
900000		FILE: AAA00005140	MDL: -
		MTL: -	

BALDOR ELECTRIC Co.

3PH, DV, 9 LEADS

CD0005