



BALDOR® • *RELIANCE*

Product Information Packet

CTM3665T

5HP,1750RPM,3PH,60HZ,184T,0638M,TEAO,F1

Product Detail							
Revision:	H	Status:	PRD/A	Change #:		Proprietary:	No
Type:	AC	Prod Type:	0638M	Elec. Spec:	06WGW390	CD Diagram:	CD0005
Enclosure	TEAO	Mfg Plant:		Mech Spec:	06H664	Layout:	06LYH664
Frame:	184T	Mounting:	F1	Poles:	04	Created Date:	
Base:	RG	Rotation:	R	Insulation:	F	Eff. Date:	12-11-2008
Leads:	9#16	Literature:		Elec. Diagram:		Replaced By:	

Nameplate NP1258E							
CAT.NO.	CTM3665T						
SPEC.	06H664W390H1						
HP	5						
VOLTS	208-230/460						
AMP	14-13.4/6.7						
RPM	1750						
FRAME	184T	HZ	60	PH	3		
SER.F.	1.15	CODE	K	DES	B	CL	F
NEMA-NOM-EFF	87.5	PF	80				
RATING	40C AMB-CONT						
CC		USABLE AT 208V	14				
DE	6206	ODE	6205				
ENCL	TEAO	SN					
	1650 FPM AT 100CFM						

Parts List			
Product ID	Description	Quantity	List Price
SA082219	SA 06H664W390H1	1.000	506.00
RA075539	RA 06H664W390H1	1.000	422.00
S/P101-000-000	EPACT PROCEDURES-FS PLANT-POLYREX EM, NO	1.000	
HW3201A05	3/8-16 EYEBOLT	1.000	17.00
HW3201A05	3/8-16 EYEBOLT	1.000	17.00
06CB1000A67G	.75 NPT @ 6:00 & GRD HOLE, 2 .125 N.P.T.	1.000	30.00
RM1016	LEAD SEPARATOR GASKET - 305/306 C.P.MOTO	1.000	16.00
51XW2520A12	.25-20 X .75, TAPTITE II, HEX WSHR SLTD	2.000	2.00
11XW1032G06	10-32 X .38, TAPTITE II, HEX WSHR SLTD U	1.000	3.00
HW3001A01	D3019 BRASS WASHER(STIMP)	1.000	2.00
HA4044A00	PLUG,PIPE 1/8 NPT PLASTIC SQUARE HEAD	2.000	2.00
10XN2520G06	1/4 20X3/8 HX HD CAP, GREEN	2.000	2.00
WD1000B16	KPA-4C BURNDY TERMINAL	2.000	4.00
36EP1101C25G	FREP, 205 BRG,.125 NPT (GRAY)	1.000	130.00
HA4001A01SP	DRAIN PLUG, PLASTIC (MICRO PLAS)	1.000	2.00
80XN3816A04	3/8-16 X 1/4 SET SCREW	2.000	2.00
HW5100A05	WVY WSHR F/205 & 304 BRGS	1.000	2.00
36EP1100B19G	PUEP, 206 LOCK BRG,.125 NPT (GRAY)	1.000	212.00
HA4001A01SP	DRAIN PLUG, PLASTIC (MICRO PLAS)	1.000	2.00
HA4044A00	PLUG,PIPE 1/8 NPT PLASTIC SQUARE HEAD	2.000	2.00
10XN2520A16	1/4-20 X 1 HEX HEAD CAP SCR, ZINC PLATED	2.000	2.00
HA3101A53	THRUBOLT 1/4-20 X 10.50	4.000	2.00
XY2520A12	1/4-20 HEX NUT, DIRECTIONAL SERRATIONS	4.000	1.00
06CB1502A01G	LIPPED CONDUIT BOX LID, MACH GRAY EPOXY	1.000	38.00

Parts List (continued)			
Product ID	Description	Quantity	List Price
06GS1003	GASKET, KOBX LID, 1/8" THICK BLACK NEOPR	1.000	2.00
10XN2520A12	1/4-20X 3/4 HEX HEAD CAP	2.000	2.00
HW1001A25	LOCKWASHER 1/4, ZINC PLT .493 OD, .255 I	2.000	2.00
HW2501E16	KEY, 1/4 SQ X 1.750	1.000	2.00
HA7000A02	KEY RETAINER RING, 1 1/8 DIA, 1 3/8 DIA	1.000	2.00
HW4600B36SP	V-RING SLINGER 1.188 X 1.690 X 0.240	1.000	6.00
MJ5001A01	46-665 RED SEALER	0.001	57.00
85XU0407S04	4X1/4 U DRIVE PIN STAINLESS	2.000	2.00
LB1115	LABEL,LIFTING DEVICE (ON ROLLS0	1.000	2.00
LB1002	LABEL,MARINE DUTY (ON ROLLS)	1.000	2.00
LB1182	WARNING LABEL FOR MOTORS WITH EYENUTS	1.000	6.00
MJ1000A02	GREASE, POLYREX EM EXXON	0.050	10.00
MG1025Z20	ACTIVATOR WILKOFAS 060.32	0.010	218.00
MG1025G29	PAINT 789.205 DARK GRAY METALLIC (USE W/	0.028	338.00
LB1125C04	STD-E (STOCK CTN LABEL STD-E WITH FLAG)	1.000	2.00
LC0005E01	CONN.DIA./WARNING LABEL (LC0005/LB1119)	1.000	2.00
NP1258E	STD NAMEPLATE CP UL CSA, CC, NP STAMPED	1.000	
36PA1001	PACKAGING GROUP	1.000	25.00

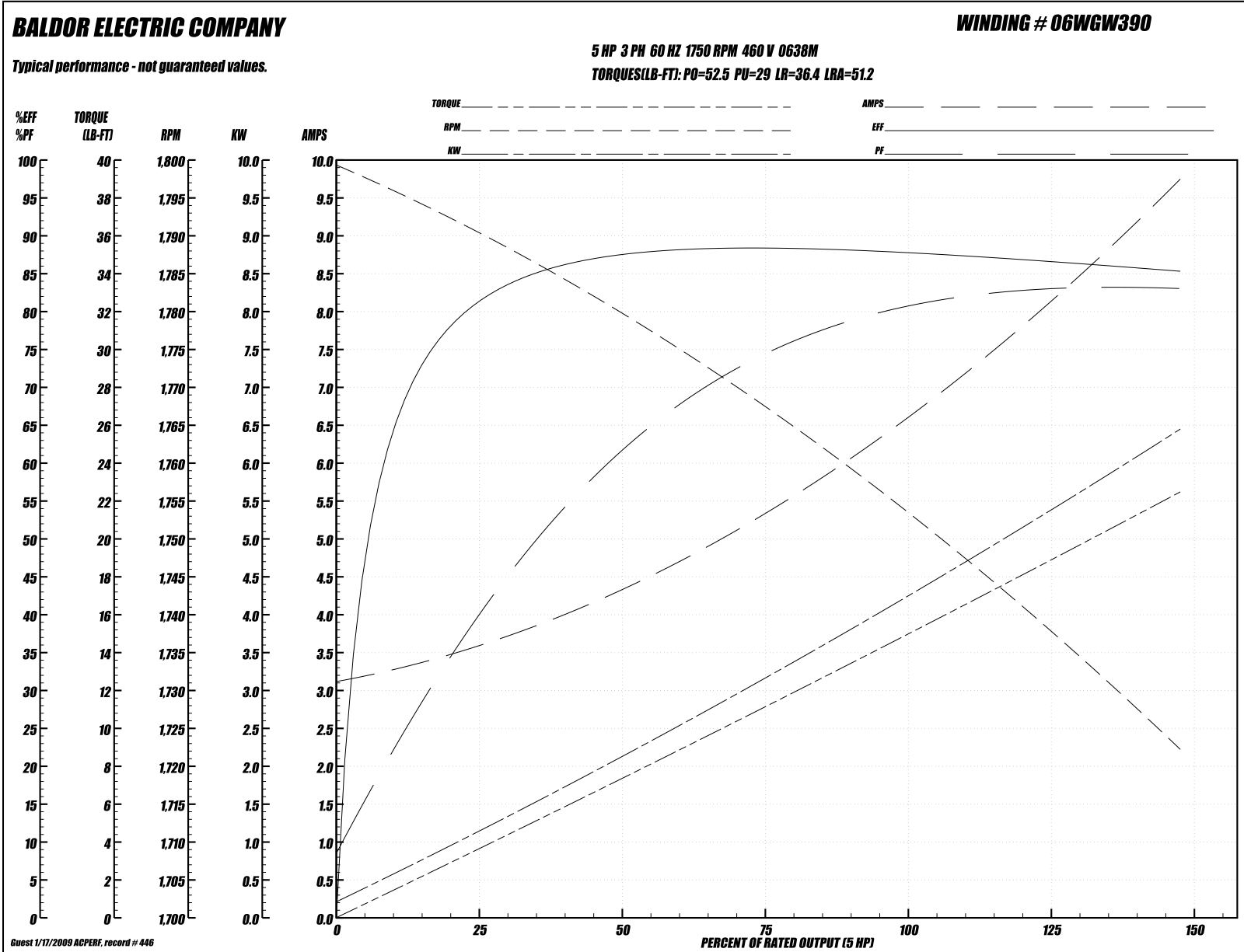
Performance Data at 460V, 60Hz, 5.0HP (Typical performance - Not guaranteed values)
General Characteristics

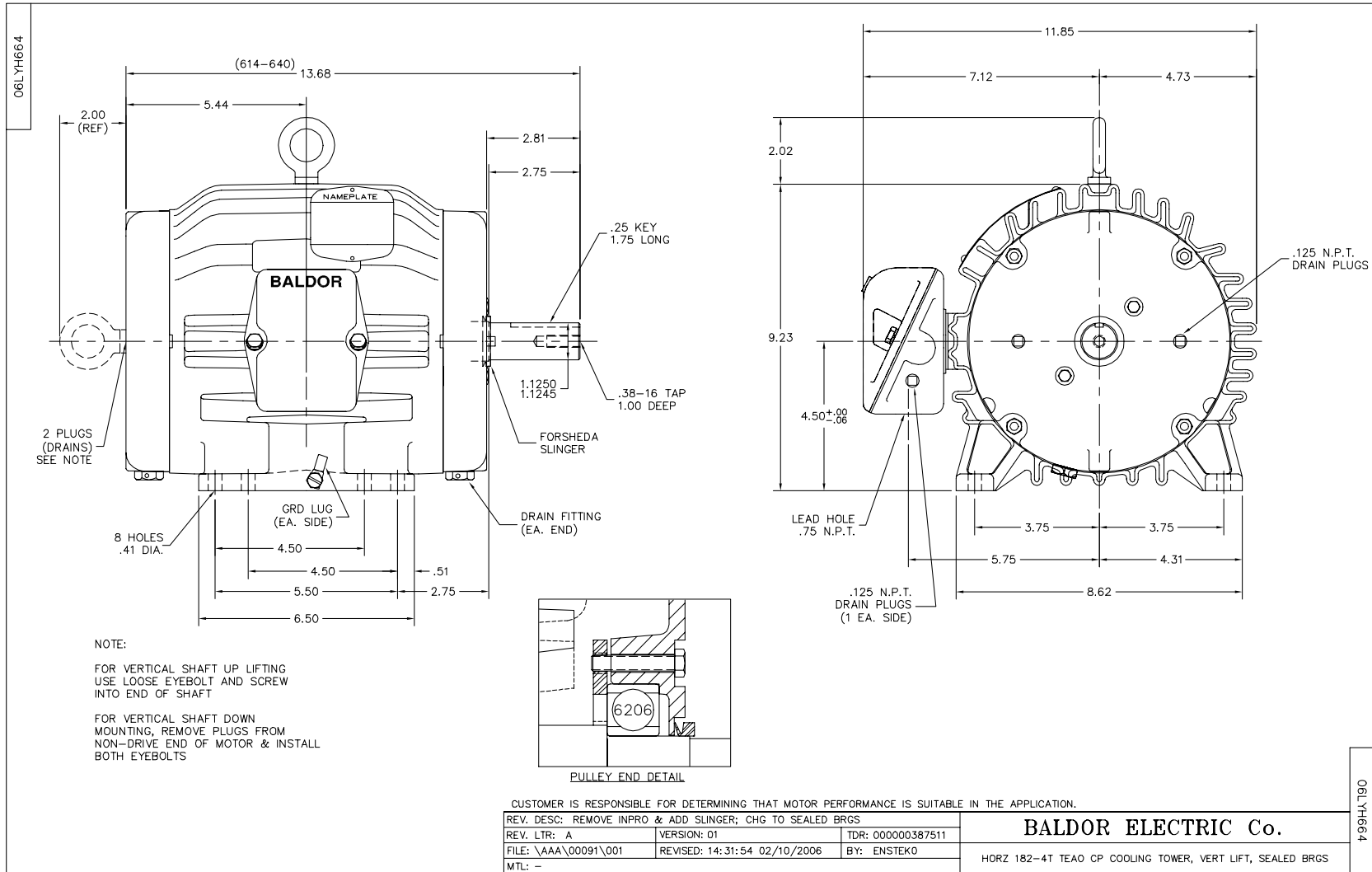
Full Load Torque:	15.0 LB-FT	Start Configuration:	DOL
No-Load Current:	3.2 Amps	Break-Down Torque:	52.5 LB-FT
Line-line Res. @ 25°C.:	2.49 Ohms A Ph / 0.0 Ohms B Ph	Pull-Up Torque:	29.0 LB-FT
Temp. Rise @ Rated Load:	54°C	Locked-Rotor Torque:	36.4 LB-FT
Temp. Rise @ S.F. Load:	66°C	Starting Current:	51.2 Amps

Load Characteristics

% of Rated Load:	25	50	75	100	125	150	S.F.
Power Factor:	42.0	63.0	74.0	80.0	83.0	84.0	82.0
Efficiency:	81.1	87.3	88.4	87.9	86.8	85.2	87.2
Speed:	1791.0	1779.0	1767.0	1753.0	1739.0	1722.0	1745.0
Line Amperes:	3.5	4.3	5.4	6.7	8.1	9.7	7.5

Performance Graph at 460V, 60Hz, 5.0HP (Typical performance - Not guaranteed values)

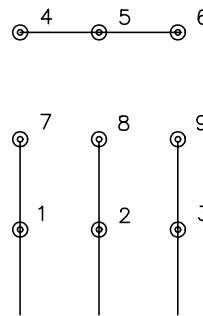




CD0005

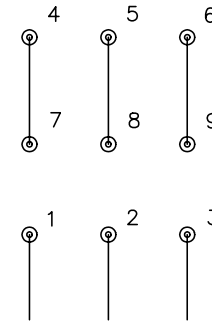


LOW VOLTAGE
(2Y)



LINE

HIGH VOLTAGE
(1Y)



LINE

NOTES:

1. INTERCHANGE ANY TWO LINE LEADS TO REVERSE ROTATION.
2. OPTIONAL THERMOSTATS ARE PROVIDED WHEN SPECIFIED.
3. ACTUAL NUMBER OF INTERNAL PARALLEL CIRCUITS MAY BE A MULTIPLE OF THOSE SHOWN ABOVE.
4. LEAD COLORS ARE OPTIONAL. LEADS MUST ALWAYS BE NUMBERED AS SHOWN.

REV. DESC: REVISE TO SHOW OPTIONAL COLORS

REV. LTR: E BY: JLP

REVISED: 01/19/99 10:15

TDR: 0171435

90000

FILE: AAA00005140

MDL: -

MTL: -

BALDOR ELECTRIC Co.

3PH, DV, 9 LEADS

CD0005