



# **BALDOR® • *RELIANCE***

## **Product Information Packet**

### **CWAM22976T**

**7.5HP,1175RPM,3PH,60HZ,254,TC,3940M,TEFC**

Product Detail							
Revision:	J	Status:	PRD/A	Change #:		Proprietary:	No
Type:	AC	Prod Type:	3940M	Elec. Spec:	39WGX513	CD Diagram:	CD0005
Enclosure	TEFC	Mfg Plant:		Mech Spec:	39E115	Layout:	39LYE115
Frame:	254TC	Mounting:	F1	Poles:	06	Created Date:	09-14-2005
Base:	RG	Rotation:	R	Insulation:	F	Eff. Date:	12-23-2008
Leads:	9#12	Literature:		Elec. Diagram:		Replaced By:	

**Nameplate NP2072E**

CAT.NO.							
SPEC.	39E115X513H1						
HP	7.5						
VOLTS	208-230/460						
AMP	23.4-22.4/11.2						
RPM	1175						
FRAME	254TC	HZ	60	PH	3		
SER.F.	1.15	CODE	J	DES	A	CL	F
NEMA-NOM-EFF	89.5	PF	70				
RATING	40C AMB-CONT						
CC	010A	USABLE AT 208V	23.4				
DE	6309	ODE	6208				
ENCL	TEFC	SN					

<b>Parts List</b>			
<b>Product ID</b>	<b>Description</b>	<b>Quantity</b>	<b>List Price</b>
SA133455	SA 39E115X513H1	1.000	1,662.00
RA123334	RA 39E115X513H1	1.000	1,385.00
09FN3001C01	EXTERNAL FAN, PLASTIC	1.000	25.00
S/P101-000-001	EPACT PROC-ZK 250FR, SMALL BOX, POLYREX EM	1.000	
HA6016BA	ADAPTER CAST, BLACK ANODIZED	1.000	38.00
09GS1006	GASKET, CONDUIT BOX, NEOP-1/16 THICK-BLA	1.000	6.00
09CB1001A01A	309 FRAME KOBX - AUTOPHORETIC	1.000	66.00
07GS1000SP	GASKET, CONDUIT BOX, .125 THICK BLACK NE	1.000	6.00
19XW2520A16	SCREW, 1/4-20X1 TAPTITE-II OR ROLOC 91	2.000	2.00
HW1001A25	LOCKWASHER 1/4, ZINC PLT .493 OD, .255 I	2.000	2.00
WD1000B17	KPA-8C BURNDY TERMINAL	1.000	3.00
11XW1032G06	10-32 X .38, TAPTITE II, HEX WSHR SLTD U	1.000	3.00
39EP1100A44A	ENDPLATE, MACH, AUTOPHORETIC	1.000	258.00
HW5100A08	W3118-035 WVY WSHR (WB)	1.000	2.00
HW4600B44SP	V-RING SLINGER 1.500 X 2.290 X 0.280	1.000	5.00
39EP1500A29A	ENDPLATE, MACH, AUTOPHORETIC	1.000	122.00
HW4600B44SP	V-RING SLINGER 1.500 X 2.290 X 0.280	1.000	5.00
10XN2520S28	1/4-20X 1 3/4 HEX HD SS X	4.000	1.00
HA3154S02	THRUBOLT STUD 3/8-16 X 15.875 SS	4.000	21.00
XY3816S12	3/8-16 HEX FINISHED NUT SS	8.000	2.00
HA2001B08	SPL SPACER FOR AIR DEFLECTOR .50 O.D. X	3.000	4.00
09FH4000A23A	FAN COVER MACHINING, AUTOPHORETIC COATED	1.000	128.00
10XN2520S16	1/4-20 X 1 HEX HEAD SS	3.000	1.00
09CB1501A01A	09 KOBX LID - AUTOPHORETIC	1.000	31.00

<b>Parts List (continued)</b>			
<b>Product ID</b>	<b>Description</b>	<b>Quantity</b>	<b>List Price</b>
09GS1001A01SP	GASKET, BOX LID, 1/8 THICK BLACK NEOPREN	1.000	8.00
10XF2520S12	1/4-20 X 3/4 HX HD TYPE F S/S	2.000	6.00
HW1001S25	WASHER, 1/4 SPLT LK, STAINLESS STEEL	2.000	2.00
HW4600B53	SEAL,TRANSCOM #168223 SAY#304SS BKPLT/31	1.000	25.00
HW2502G25	KEY .375 SQ X 2.88 303SS	1.000	16.00
MJ5001A14	DYNAPRO SEAL, CP MOTORS VC#2508050 (603	0.023	151.00
LB1115	LABEL,LIFTING DEVICE (ON ROLLS0	1.000	2.00
LB1000	LABEL, DIRTY DUTY	1.000	10.00
LB1164	LABEL,WARNING AND DRAIN F/HOSE DOWN	1.000	2.00
LB5040	INSTRUCTION TAG, AC & DC	1.000	2.00
07GS1000SP	GASKET, CONDUIT BOX, .125 THICK BLACK NE	1.000	6.00
HW4032A01	BLUE DRAIN PLUG FOR WASH DOWN MOTORS	3.000	2.00
HW2500A25	WOODRUFF KEY USA #1008 #BLOW CARBON STEE	1.000	2.00
MJ1000A02	GREASE, POLYREX EM EXXON	0.085	10.00
HW4032A01	BLUE DRAIN PLUG FOR WASH DOWN MOTORS	3.000	2.00
51XB1214A20	12-14X1.25 HXWSSLD SERTYB	1.000	2.00
85XU0407S04	4X1/4 U DRIVE PIN STAINLESS	2.000	2.00
LB1125C04	STD-E (STOCK CTN LABEL STD-E WITH FLAG)	4.000	2.00
LC0005E01	CONN.DIA./WARNING LABEL (LC0005/LB1119)	1.000	2.00
NP2072E	NAMEPLATE,SEVER DUTY XT	1.000	
39PA1000	PACKAGING GROUP COMBINED	1.000	134.00

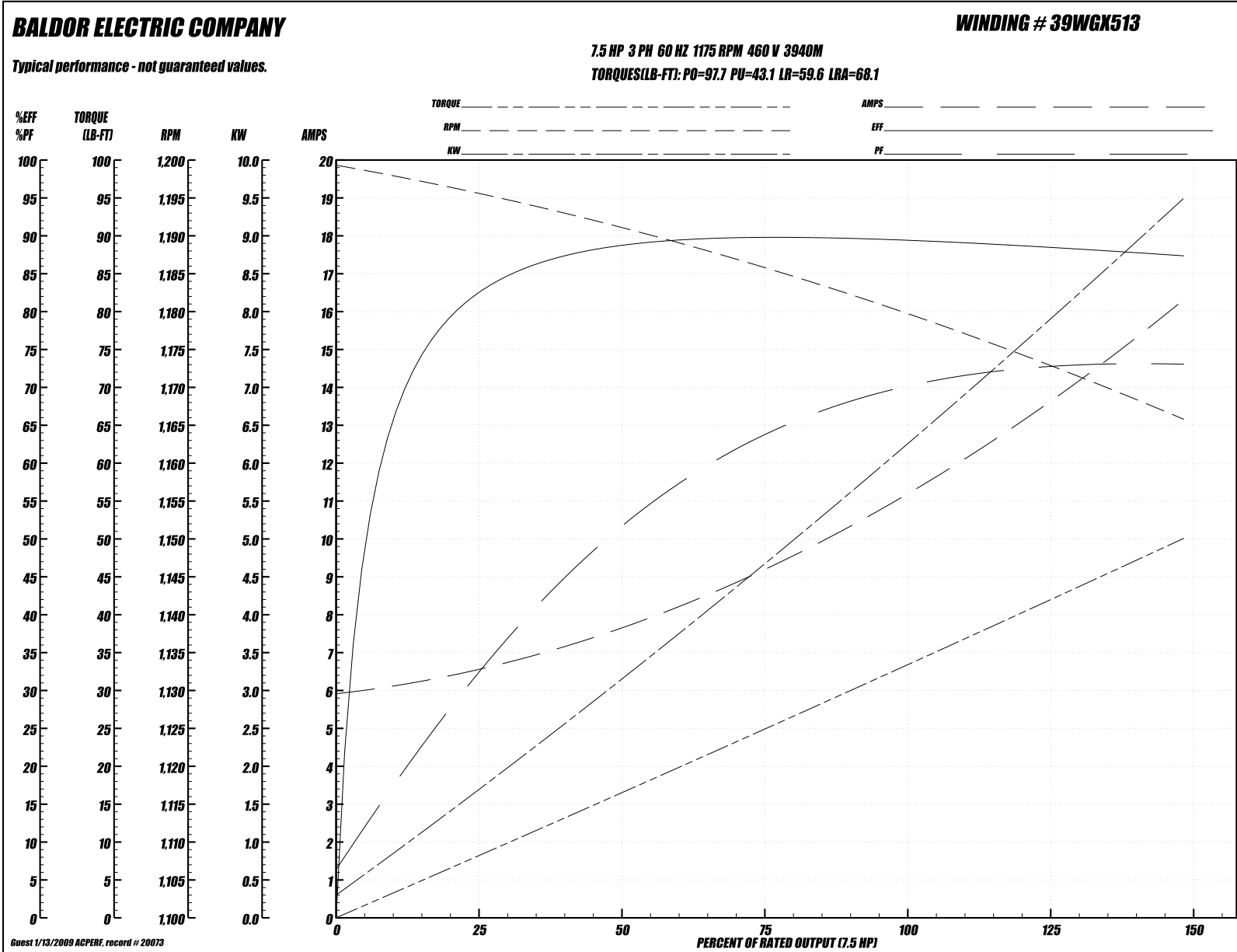
**Performance Data at 460V, 60Hz, 7.5HP (Typical performance - Not guaranteed values)**
**General Characteristics**

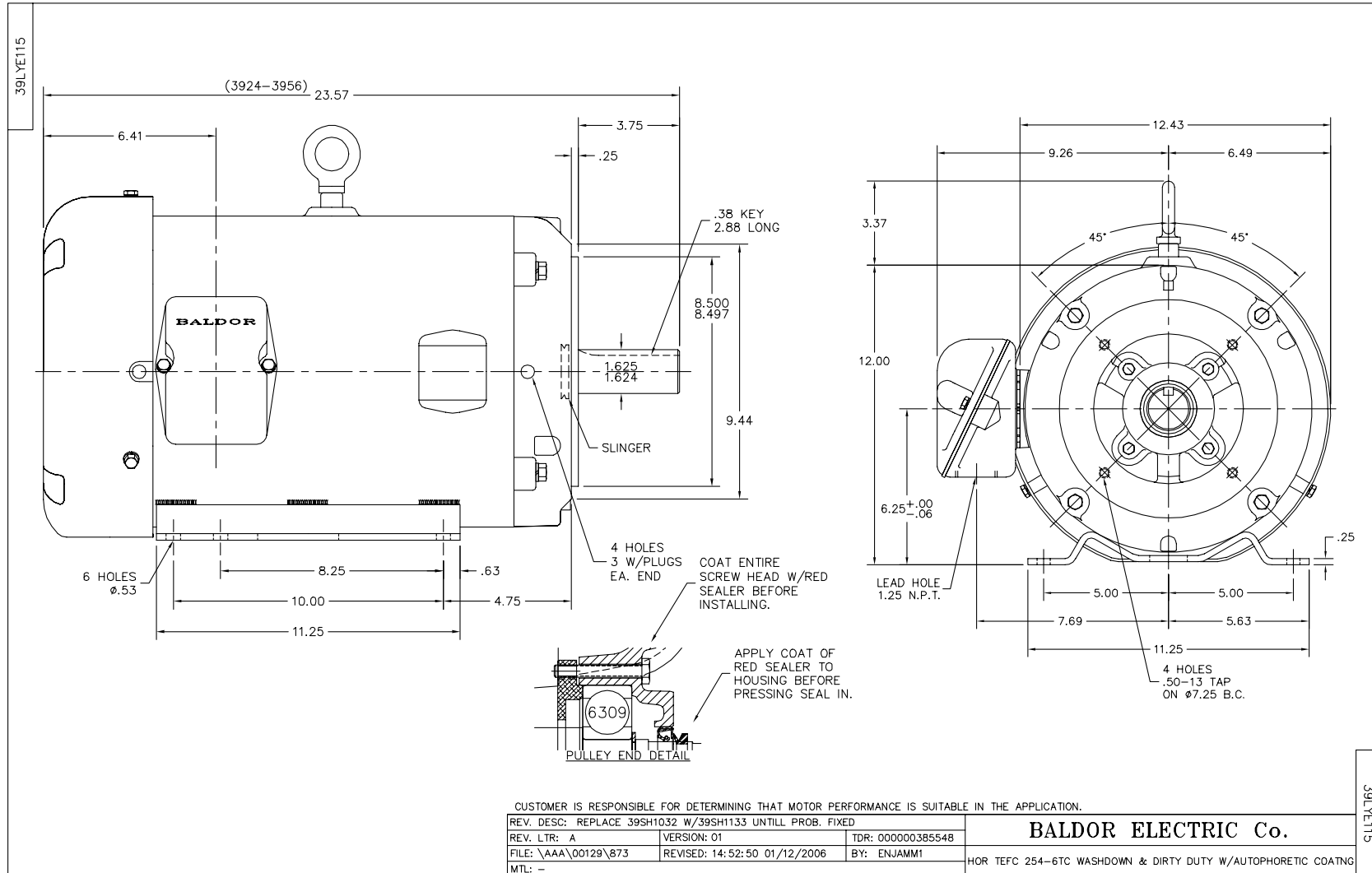
<b>Full Load Torque:</b>	33.5 LB-FT	<b>Start Configuration:</b>	DOL
<b>No-Load Current:</b>	5.95 Amps	<b>Break-Down Torque:</b>	97.7 LB-FT
<b>Line-line Res. @ 25°C.:</b>	1.06 Ohms A Ph / 0.0 Ohms B Ph	<b>Pull-Up Torque:</b>	43.1 LB-FT
<b>Temp. Rise @ Rated Load:</b>	43°C	<b>Locked-Rotor Torque:</b>	59.6 LB-FT
<b>Temp. Rise @ S.F. Load:</b>	50°C	<b>Starting Current:</b>	68.1 Amps

**Load Characteristics**

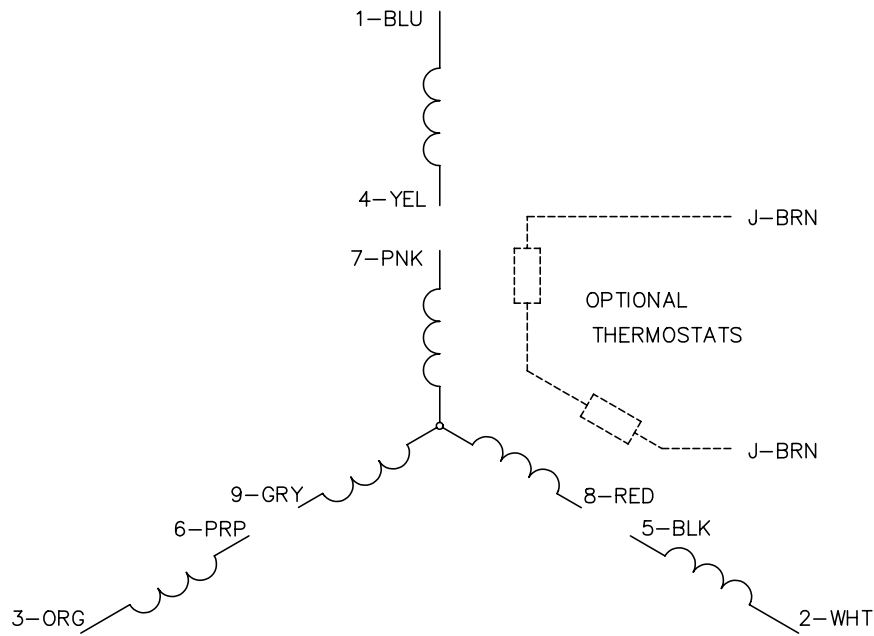
<b>% of Rated Load:</b>	<b>25</b>	<b>50</b>	<b>75</b>	<b>100</b>	<b>125</b>	<b>150</b>	<b>S.F.</b>
<b>Power Factor:</b>	33.0	53.0	64.0	70.0	72.0	73.0	71.0
<b>Efficiency:</b>	82.0	88.4	89.8	89.6	88.7	87.2	89.1
<b>Speed:</b>	1196.0	1191.0	1186.0	1179.0	1173.0	1166.0	1175.0
<b>Line Amperes:</b>	6.52	7.64	9.3	11.2	13.6	16.3	12.6

Performance Graph at 460V, 60Hz, 7.5HP (Typical performance - Not guaranteed values)

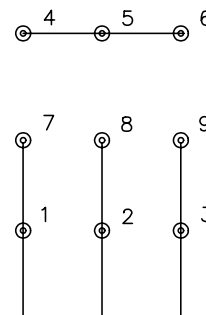




CD0005

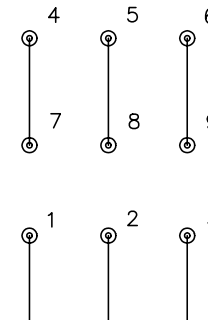


LOW VOLTAGE  
(2Y)



LINE

HIGH VOLTAGE  
(1Y)



LINE

NOTES:

1. INTERCHANGE ANY TWO LINE LEADS TO REVERSE ROTATION.
2. OPTIONAL THERMOSTATS ARE PROVIDED WHEN SPECIFIED.
3. ACTUAL NUMBER OF INTERNAL PARALLEL CIRCUITS MAY BE A MULTIPLE OF THOSE SHOWN ABOVE.
4. LEAD COLORS ARE OPTIONAL. LEADS MUST ALWAYS BE NUMBERED AS SHOWN.

REV. DESC: REVISE TO SHOW OPTIONAL COLORS			
REV. LTR: E	BY: JLP	REVISED: 01/19/99 10:15	TDR: 0171435
90000		FILE: AAA00005140	MDL: -
		MTL: -	

**BALDOR ELECTRIC Co.**

3PH, DV, 9 LEADS

CD0005