



BALDOR® • *RELIANCE*

Product Information Packet

CWDM3539

.5HP,1140RPM,3PH,60HZ,56C,3524M,TENV,F1

Product Detail							
Revision:	G	Status:	PRD/A	Change #:		Proprietary:	No
Type:	AC	Prod Type:	3524M	Elec. Spec:	35WGZ039	CD Diagram:	CD0005
Enclosure	TENV	Mfg Plant:		Mech Spec:	35S588	Layout:	35LYS588
Frame:	56C	Mounting:	F1	Poles:	06	Created Date:	
Base:	RG	Rotation:	R	Insulation:	F	Eff. Date:	12-02-2008
Leads:	9#18	Literature:		Elec. Diagram:		Replaced By:	

Nameplate NP1496L									
CAT.NO.	CWDM3539								
SPEC.	35S588Z039G1								
HP	.5								
VOLTS	230/460								
AMP	2/1								
RPM	1140								
FRAME	56C	HZ	60	PH	3				
SER.F.	1.25	CODE	J	DES	B	CLASS	F		
NEMA-NOM-EFF	77	PF	66						
RATING	40C AMB-CONT								
CC		USABLE AT 208V	2.1						
DE	6205	ODE	6203						
ENCL	TENV	SN							
	SFA 2.2/1.1								

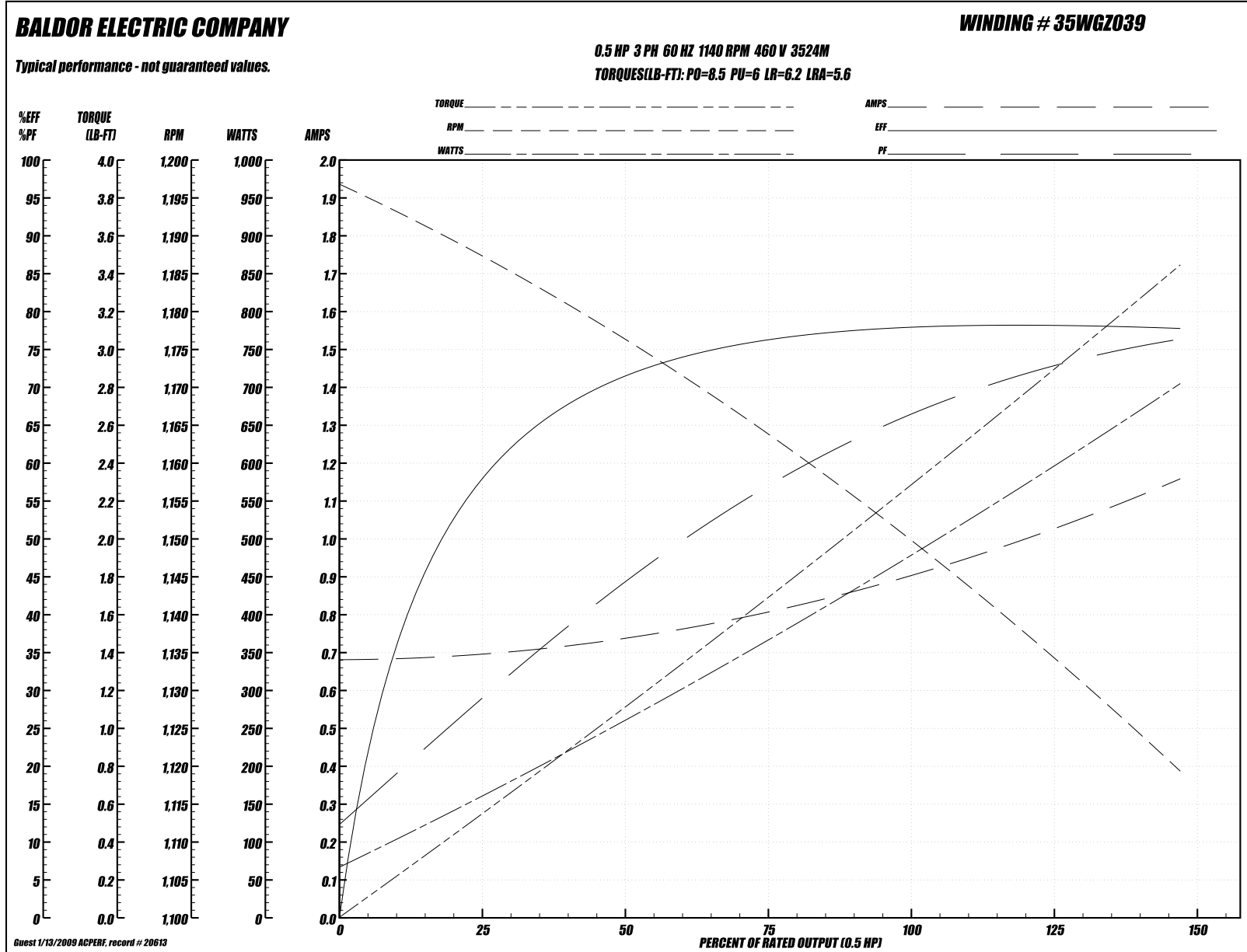
Parts List			
Product ID	Description	Quantity	List Price
SA084640	SA 35S588Z039G1	1.000	382.00
RA077804	RA 35S588Z039G1	1.000	262.00
NS2512A01	INSULATOR, CONDUIT BOX X X	1.000	2.00
35CB3008A01W	35 CB .50 NPT @ 6, MACH WHITE EPOXY	1.000	15.00
35GS1022A03SP	GASKET BOX .125 THK WHITE NEOPRENE	1.000	3.00
51XB1016A07	10-16 X 7/16 HXWSSLD SERTYB	2.000	2.00
11XW1032G06	10-32 X .38, TAPTITE II, HEX WSHR SLTD U	1.000	3.00
35EP3100M71MW	SPL FR ENDPLATE -TENV- SP.#9 (WHITE EPOX	1.000	46.00
HW4032A01	BLUE DRAIN PLUG FOR WASH DOWN MOTORS	3.000	2.00
HW5100A03SP	WAVY WASHER (W1543-017)	1.000	2.00
35EP3300A48MW	SPL FACE MTD EP - 205 BRG - W/SEAL FOR W	1.000	38.00
HW4032A01	BLUE DRAIN PLUG FOR WASH DOWN MOTORS	3.000	2.00
HW4600B49SP	SEAL 0.938 X 1.624 X 0.250 SINGLE LIP DB	1.000	7.00
12XN1032S20	10-32 X 1-1/4 HEX M.S. , STAINLESS STEEL	2.000	3.00
35CB4522	35 LIPPED CB LID AUTOPHORETIC	1.000	3.00
35GS1030A02	35 GS FOR CB LID - WHITE NEOPRENE	1.000	6.00
59XW0832S07	TAPTITE II,HEX WSHR UNSLTD SER,410 S.S.,	4.000	2.00
HW4600B46SP	SEAL,V22A FORSHEDA OR C-R # 400220	1.000	6.00
HW2502D13	SS KEY, 3/16 SQ X 1.375	1.000	2.00
HA7000A04	KEY RETAINER 0.625 DIA SHAFTS	1.000	2.00
MJ5001A01	46-665 RED SEALER	0.001	57.00
10XF0440S02	04-40 X 1/8 TYPE F HEX HD STAINLESS STIC	2.000	2.00
LB1164	LABEL,WARNING AND DRAIN F/HOSE DOWN	1.000	2.00
MJ1000A02	GREASE, POLYREX EM EXXON	0.050	10.00

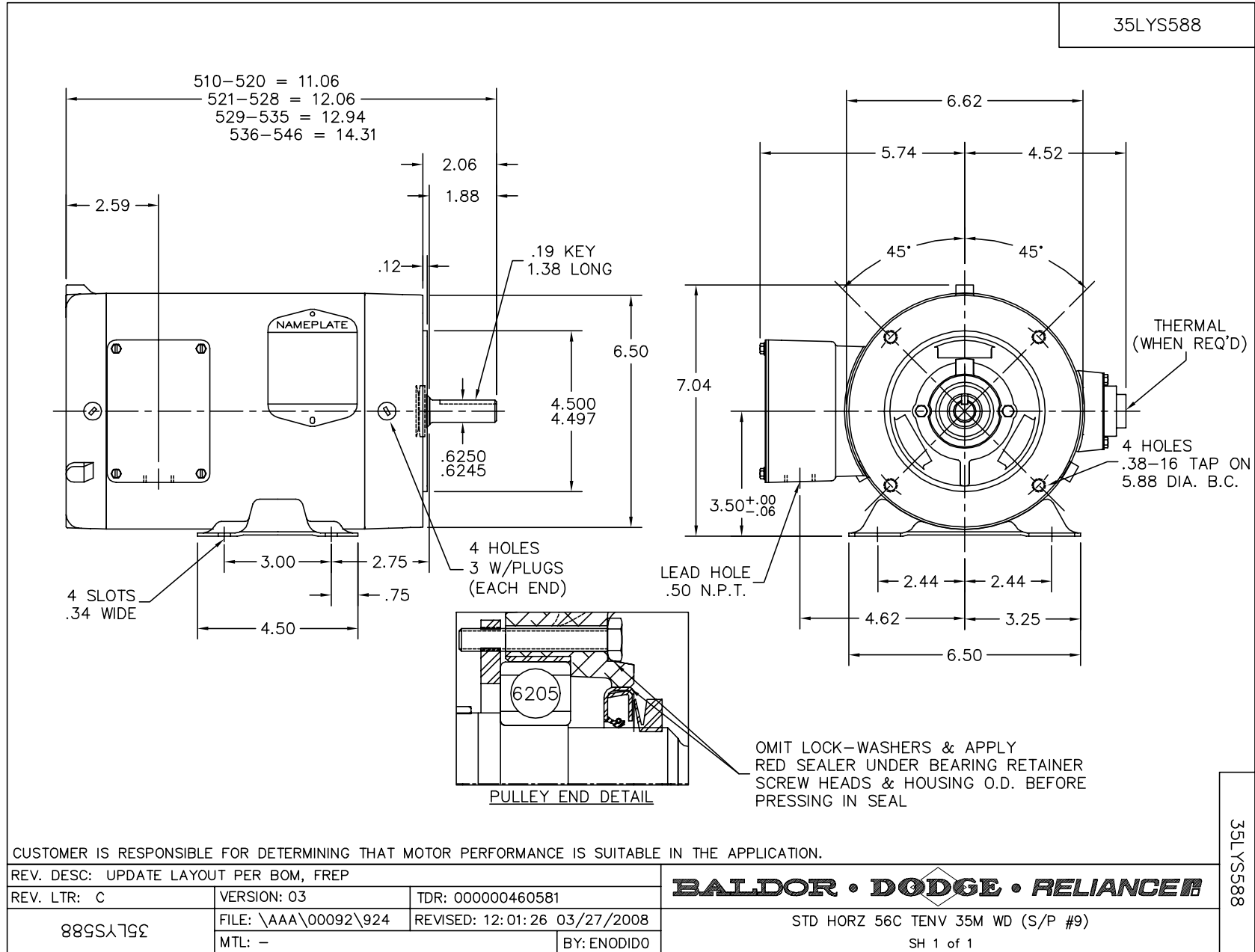
Parts List (continued)			
Product ID	Description	Quantity	List Price
MG1025Z20	ACTIVATOR WILKOFAS 060.32	0.010	218.00
MG1025W11	PAINT- 781-101 WILKOFAS WHITE EPOXY	0.017	333.00
LC0005	CONN.DIA.,TYPE M,9-LD,DUAL VOLTAGE,REVER	1.000	2.00
HA3100S07	THRUBOLT 10-32 X 8.375 SS	4.000	3.00
LB1125C01	STD (STOCK) CARTON LABEL BALDOR WITH FLA	1.000	2.00
NP1496L	STD NP S.S.WASHDOWN W/ WD GRAPHICS LASER	1.000	
PA1000	PACKING GROUP 3500 SHORT	1.000	8.00

Performance Data at 460V, 60Hz, 0.5HP (Typical performance - Not guaranteed values)

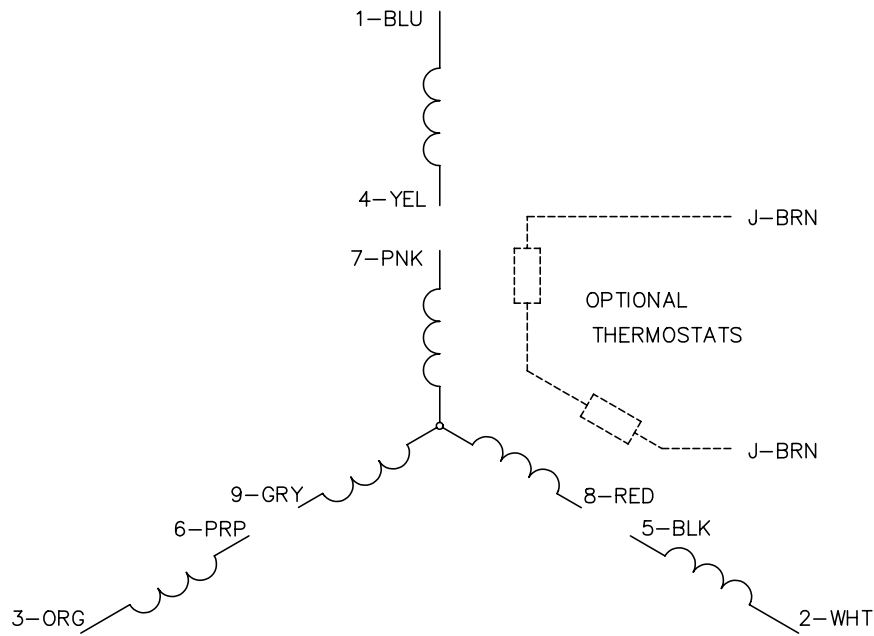
General Characteristics							
Full Load Torque:	2.3 LB-FT			Start Configuration:	DOL		
No-Load Current:	0.68 Amps			Break-Down Torque:	8.5 LB-FT		
Line-line Res. @ 25°C.:	32.2 Ohms A Ph / 0.0 Ohms B Ph			Pull-Up Torque:	6.0 LB-FT		
Temp. Rise @ Rated Load:	64°C			Locked-Rotor Torque:	6.2 LB-FT		
Temp. Rise @ S.F. Load:	0°C			Starting Current:	5.6 Amps		
Load Characteristics							
% of Rated Load:	25	50	75	100	125	150	S.F.
Power Factor:	29.0	44.0	57.0	66.0	73.0	78.0	0.0
Efficiency:	58.2	71.5	76.4	78.2	78.4	77.6	0.0
Speed:	1187.0	1175.0	1163.0	1150.0	1135.0	1119.0	0.0
Line Amperes:	0.7	0.74	0.81	0.91	1.02	1.16	0.0

Performance Graph at 460V, 60Hz, 0.5HP (Typical performance - Not guaranteed values)

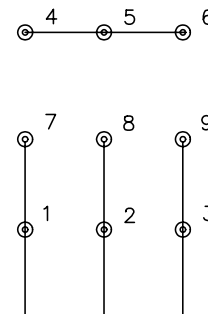




CD0005

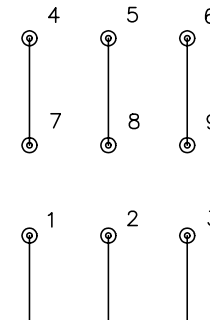


LOW VOLTAGE
(2Y)



LINE

HIGH VOLTAGE
(1Y)



LINE

NOTES:

1. INTERCHANGE ANY TWO LINE LEADS TO REVERSE ROTATION.
2. OPTIONAL THERMOSTATS ARE PROVIDED WHEN SPECIFIED.
3. ACTUAL NUMBER OF INTERNAL PARALLEL CIRCUITS MAY BE A MULTIPLE OF THOSE SHOWN ABOVE.
4. LEAD COLORS ARE OPTIONAL. LEADS MUST ALWAYS BE NUMBERED AS SHOWN.

REV. DESC: REVISE TO SHOW OPTIONAL COLORS			
REV. LTR: E	BY: JLP	REVISED: 01/19/99 10:15	TDR: 0171435
900000		FILE: AAA00005140	MDL: -
		MTL: -	

BALDOR ELECTRIC Co.

3PH, DV, 9 LEADS

CD0005