



BALDOR® • *RELIANCE*

Product Information Packet

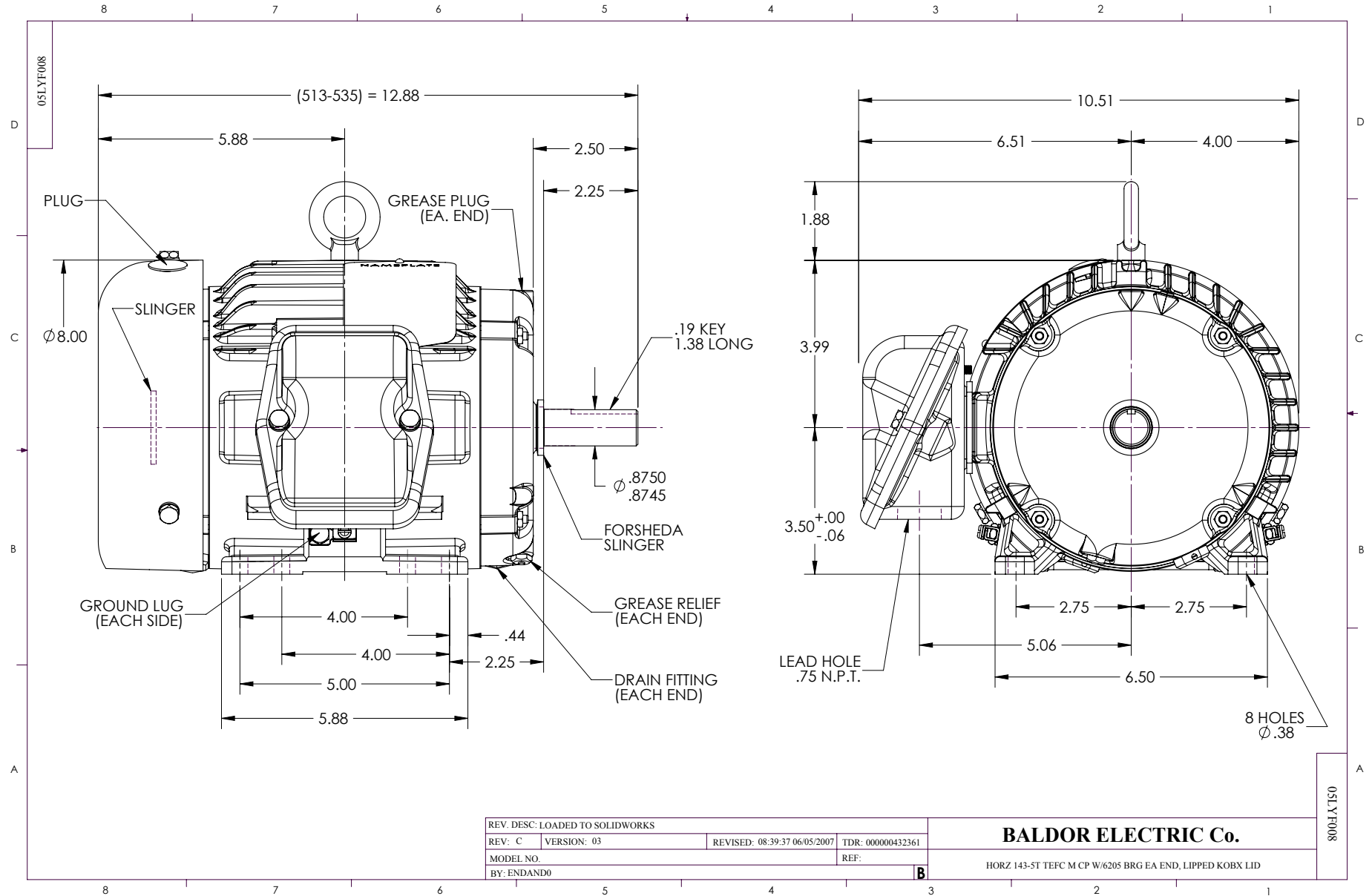
ECP3581T

1HP,1765RPM,3PH,60HZ,143T,0524M,TEFC,F1

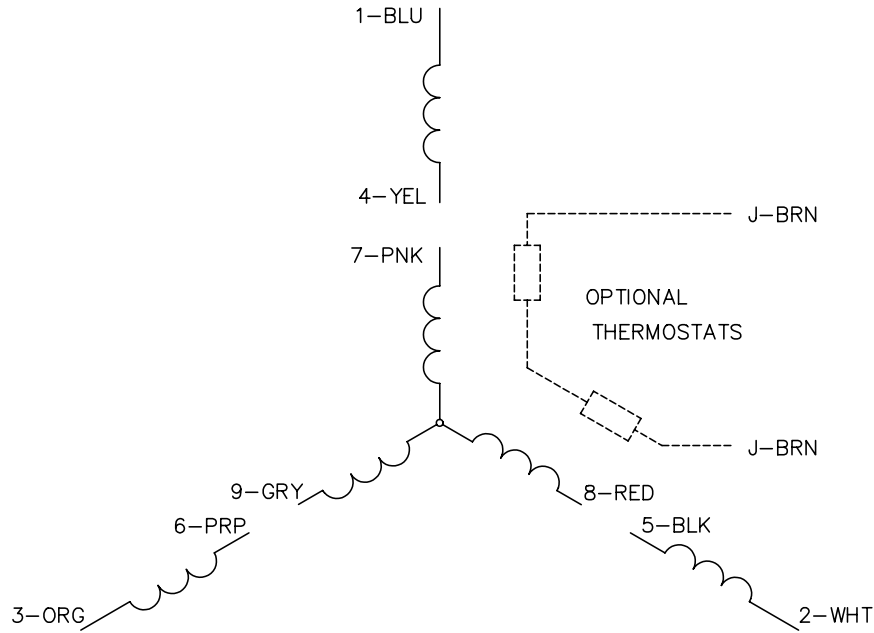
Product Detail									
Revision:	B	Status:	PRD/A	Change #:		Proprietary:	No		
Type:	AC	Prod Type:	0524M	Elec. Spec:	05WGX014	CD Diagram:	CD0005		
Enclosure	TEFC	Mfg Plant:		Mech Spec:	05F008	Layout:	05LYF008		
Frame:	143T	Mounting:	F1	Poles:	04	Created Date:	07-26-2007		
Base:	RG	Rotation:	R	Insulation:	F	Eff. Date:	08-08-2008		
Leads:	9#18	Literature:		Elec. Diagram:		Replaced By:			
Nameplate NP2069E									
CAT.NO.	ECP3581T								
SPEC.	05F008X014G1								
HP	1								
VOLTS	208-230/460								
AMP	3.3-3/1.5								
RPM	1765								
FRAME	143T	HZ			60	PH	3		
SER.F.	1.15	CODE			N	DES	B	CL	F
NEMA-NOM-EFF	87.5	PF			70				
RATING	40C AMB-CONT								
CC	010A	USABLE AT 208V							
DE	6205	ODE			6205				
ENCL	TEFC	SN							

Parts List			
Product ID	Description	Quantity	List Price
SA161349	SA 05F008X014G1	1.000	483.00
RA149904	RA 05F008X014G1	1.000	403.00
34FN3002B01	EXTERNAL FAN, PLASTIC, .637/.639 HUB W/	1.000	15.00
S/P107-000-001	SUPER E PROC'S-FS & WS PLTS-POLYREX EM G	1.000	
S/P111-000-002	CORONA TEST, SUPER E MOTORS - FT. SMITH	1.000	
HW3201A05	3/8-16 EYEBOLT	1.000	17.00
06CB1000A02G	CONDUIT BOX, MACH GRAY	1.000	31.00
RM1016	LEAD SEPARATOR GASKET - 305/306 C.P.MOTO	1.000	16.00
51XW2520A12	.25-20 X .75, TAPTITE II, HEX WSHR SLTD	2.000	2.00
11XW1032G06	10-32 X .38, TAPTITE II, HEX WSHR SLTD U	1.000	3.00
HW3001A01	D3019 BRASS WASHER(STIMP)	1.000	2.00
10XN2520S06	1/4 20X3/8 HX HD CAP S.S.	2.000	2.00
WD1000B16	KPA-4C BURNDY TERMINAL	2.000	4.00
35EP1102B03G	FREP TEFC 205 BRG,GRSR,RLF, .125 NPT DRAI	1.000	86.00
HW4500A19	1/4-28X1/4 SLOTTED PLUG F/S	1.000	2.00
HW4500A17	317400 ALEMITE GREASE RELIEF	1.000	4.00
HA4001A01SP	DRAIN PLUG, PLASTIC (MICRO PLAS)	1.000	2.00
HW5100A05	WVY WSHR F/205 & 304 BRGS	1.000	2.00
35EP1102A67G	PUEP ENCL 205 BRG W/GRSR,REL F&.125 NPT D	1.000	148.00
HW4500A19	1/4-28X1/4 SLOTTED PLUG F/S	1.000	2.00
HW4500A17	317400 ALEMITE GREASE RELIEF	1.000	4.00
HA4001A01SP	DRAIN PLUG, PLASTIC (MICRO PLAS)	1.000	2.00
HA3100A37	THRUBOLT 10-32 X 8.500	4.000	2.00
XY1032A02	10-32 HEX NUT DIRECTIONAL SERRATION	4.000	2.00

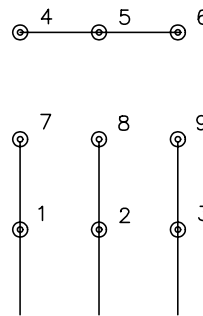
Parts List (continued)			
Product ID	Description	Quantity	List Price
51XB1214A16	12-14X1.00 HXWSSLD SERTYB	1.000	2.00
35FH1000A01G	35FH1000A01 W/GRAY FLUIDIZ	1.000	86.00
WD4100A03	DE-750 HEYCO PLUG 62MP0750 MICRO PLASTIC	1.000	2.00
10XN2520A16	1/4-20 X 1 HEX HEAD CAP SCR, ZINC PLATED	3.000	2.00
HW1001A25	LOCKWASHER 1/4, ZINC PLT .493 OD, .255 I	3.000	2.00
06CB1502A01G	LIPPED CONDUIT BOX LID, MACH GRAY EPOXY	1.000	38.00
06GS1003	GASKET, KOBX LID, 1/8" THICK BLACK NEOPR	1.000	2.00
10XN2520A12	1/4-20X 3/4 HEX HEAD CAP	2.000	2.00
HW1001A25	LOCKWASHER 1/4, ZINC PLT .493 OD, .255 I	2.000	2.00
HW4600B32SP	V-RING SLINGER 1.000 X 1.540 X 0.240	1.000	6.00
HA1005A03SP	6-1119 SLINGER, .937 I.D. X 1.75 O.D. X	1.000	3.00
HW2501D13SP	KEY, 3/16 SQ X 1.375	1.000	2.00
HA7000A01	KEY RETAINER 7/8" DIA SHAFT	1.000	2.00
MJ5001A01	46-665 RED SEALER	0.001	57.00
85XU0407S04	4X1/4 U DRIVE PIN STAINLESS	2.000	2.00
LB1002	LABEL,MARINE DUTY (ON ROLLS)	1.000	2.00
LB1115	LABEL,LIFTING DEVICE (ON ROLLS0	1.000	2.00
MJ1000A02	GREASE, POLYREX EM EXXON	0.050	10.00
MG1025N19	PAINT, 778.01 WILKO, RELIANCE ELEC GREEN	0.022	196.00
LB1125C02	SUPER-E (STOCK CTN LABEL SUPER-E WITH FL	1.000	2.00
LC0005E01	CONN.DIA./WARNING LABEL (LC0005/LB1119)	1.000	2.00
LB1357	ENERGY GUIDE LABEL (BOX LABEL)	1.000	2.00
NP2069E	STD NAMEPLATE,SUPER-E SEVER DUTY XEX	1.000	
36PA1001	PACKAGING GROUP	1.000	25.00



CD0005

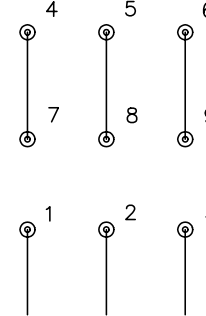


LOW VOLTAGE
(2Y)



LINE

HIGH VOLTAGE
(1Y)



LINE

NOTES:

1. INTERCHANGE ANY TWO LINE LEADS TO REVERSE ROTATION.
2. OPTIONAL THERMOSTATS ARE PROVIDED WHEN SPECIFIED.
3. ACTUAL NUMBER OF INTERNAL PARALLEL CIRCUITS MAY BE A MULTIPLE OF THOSE SHOWN ABOVE.
4. LEAD COLORS ARE OPTIONAL. LEADS MUST ALWAYS BE NUMBERED AS SHOWN.

REV. DESC: REVISE TO SHOW OPTIONAL COLORS			
REV. LTR: E	BY: JLP	REVISED: 01/19/99 10:15	TDR: 0171435
900000		FILE: AAA00005140	MDL: -
		MTL: -	

BALDOR ELECTRIC Co.

3PH, DV, 9 LEADS

CD0005