



# **BALDOR® • *RELIANCE***

## **Product Information Packet**

### **ECP3586T-4**

**2HP,3450RPM,3PH,60HZ,143T,0532M,TEFC,F1**

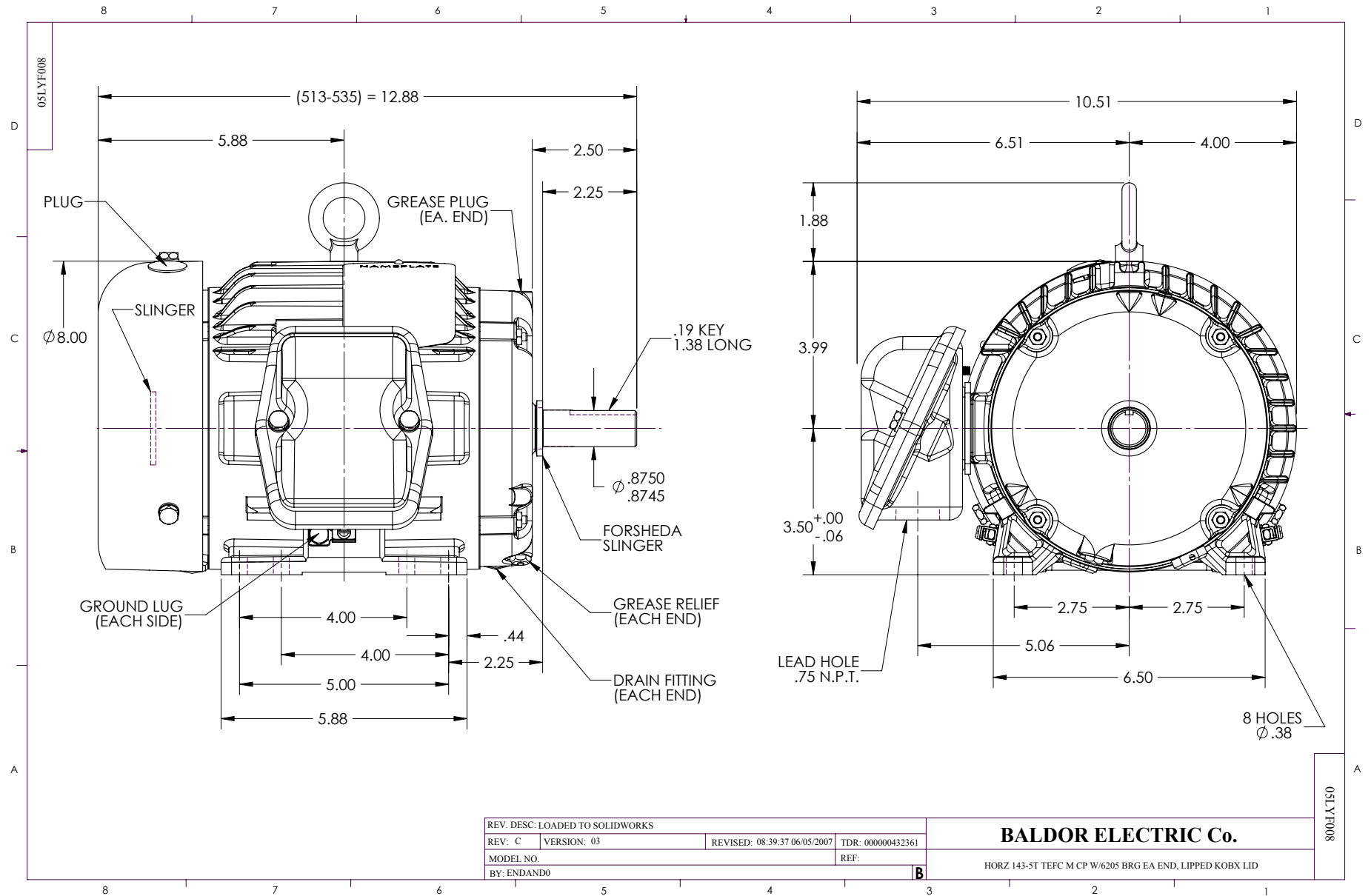
Product Detail							
Revision:	L	Status:	PRD/A	Change #:		Proprietary:	No
Type:	AC	Prod Type:	0532M	Elec. Spec:	05WGW090	CD Diagram:	CD0006
Enclosure	TEFC	Mfg Plant:		Mech Spec:	05F008	Layout:	05LYF008
Frame:	145T	Mounting:	F1	Poles:	02	Created Date:	07-17-2008
Base:	RG	Rotation:	R	Insulation:	F	Eff. Date:	01-08-2009
Leads:	3#18	Literature:		Elec. Diagram:		Replaced By:	
Nameplate NP2069E							
SPEC.		05F008W090G1					

<b>Parts List</b>			
<b>Product ID</b>	<b>Description</b>	<b>Quantity</b>	<b>List Price</b>
SA147370	SA 05F008W090G1	1.000	523.00
RA136418	RA 05F008W090G1	1.000	436.00
S/P107-000-001	SUPER E PROC'S-FS & WS PLTS-POLYREX EM G	1.000	
S/P111-000-002	CORONA TEST, SUPER E MOTORS - FT. SMITH	1.000	
HW3201A05	3/8-16 EYEBOLT	1.000	17.00
06CB1000A02G	CONDUIT BOX, MACH GRAY	1.000	31.00
RM1016	LEAD SEPARATOR GASKET - 305/306 C.P.MOTO	1.000	16.00
51XW2520A12	.25-20 X .75, TAPTITE II, HEX WSHR SLTD	2.000	2.00
11XW1032G06	10-32 X .38, TAPTITE II, HEX WSHR SLTD U	1.000	3.00
HW3001A01	D3019 BRASS WASHER(STIMP)	1.000	2.00
10XN2520S06	1/4 20X3/8 HX HD CAP S.S.	2.000	2.00
WD1000B16	KPA-4C BURNDY TERMINAL	2.000	4.00
35EP1102B03G	FREP TEFC 205 BRG,GRSR,RLF,.125 NPT DRAI	1.000	86.00
HW4500A19	1/4-28X1/4 SLOTTED PLUG F/S	1.000	2.00
HW4500A17	317400 ALEMITE GREASE RELIEF	1.000	4.00
HA4001A01SP	DRAIN PLUG, PLASTIC (MICRO PLAS)	1.000	2.00
HW5100A05	WVY WSHR F/205 & 304 BRGS	1.000	2.00
35EP1102A67G	PUEP ENCL 205 BRG W/GRSR,REL F&.125 NPT D	1.000	148.00
HW4500A19	1/4-28X1/4 SLOTTED PLUG F/S	1.000	2.00
HW4500A17	317400 ALEMITE GREASE RELIEF	1.000	4.00
HA4001A01SP	DRAIN PLUG, PLASTIC (MICRO PLAS)	1.000	2.00
HA3100A37	THRUBOLT 10-32 X 8.500	4.000	2.00
XY1032A02	10-32 HEX NUT DIRECTIONAL SERRATION	4.000	2.00
51XB1214A16	12-14X1.00 HXWSSLD SERTYB	1.000	2.00

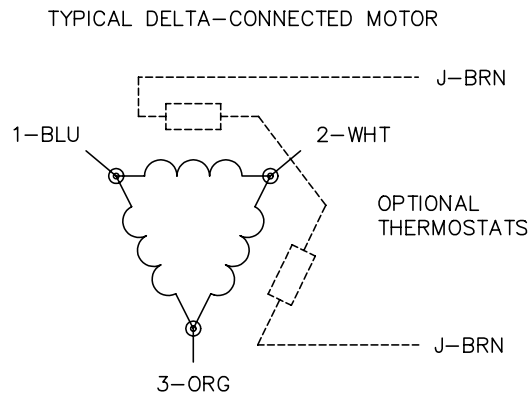
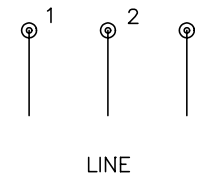
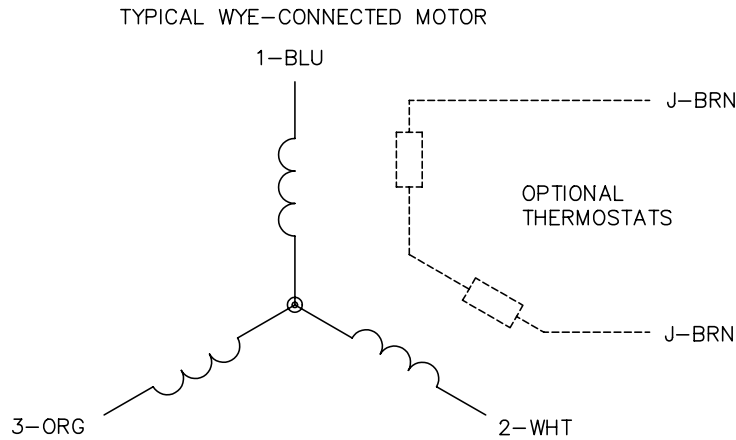
<b>Parts List (continued)</b>			
<b>Product ID</b>	<b>Description</b>	<b>Quantity</b>	<b>List Price</b>
35FH1000A01G	35FH1000A01 W/GRAY FLUIDIZ	1.000	86.00
WD4100A03	DE-750 HEYCO PLUG 62MP0750 MICRO PLASTIC	1.000	2.00
10XN2520A16	1/4-20 X 1 HEX HEAD CAP SCR, ZINC PLATED	3.000	2.00
HW1001A25	LOCKWASHER 1/4, ZINC PLT .493 OD, .255 I	3.000	2.00
06CB1502A01G	LIPPED CONDUIT BOX LID, MACH GRAY EPOXY	1.000	38.00
06GS1003	GASKET, KOBX LID, 1/8" THICK BLACK NEOPR	1.000	2.00
10XN2520A12	1/4-20X 3/4 HEX HEAD CAP	2.000	2.00
HW1001A25	LOCKWASHER 1/4, ZINC PLT .493 OD, .255 I	2.000	2.00
HW4600B32SP	V-RING SLINGER 1.000 X 1.540 X 0.240	1.000	6.00
HA1005A03SP	6-1119 SLINGER, .937 I.D. X 1.75 O.D. X	1.000	3.00
HW2501D13SP	KEY, 3/16 SQ X 1.375	1.000	2.00
HA7000A01	KEY RETAINER 7/8" DIA SHAFT	1.000	2.00
MJ5001A01	46-665 RED SEALER	0.001	57.00
85XU0407S04	4X1/4 U DRIVE PIN STAINLESS	2.000	2.00
LB1002	LABEL,MARINE DUTY (ON ROLLS)	1.000	2.00
LB1115	LABEL,LIFTING DEVICE (ON ROLLS0	1.000	2.00
MJ1000A02	GREASE, POLYREX EM EXXON	0.050	10.00
34FN3002A01SP	EXTERNAL FAN, PLASTIC, .637/.639 HUB W/	1.000	14.00
MG1025N19	PAINT, 778.01 WILKO, RELIANCE ELEC GREEN	0.022	196.00
LB1119	WARNING LABEL	1.000	2.00
LB1125C02	SUPER-E (STOCK CTN LABEL SUPER-E WITH FL	1.000	2.00
LC0006	CONNECTION LABEL	1.000	3.00
LB1357	ENERGY GUIDE LABEL (BOX LABEL)	1.000	2.00
NP2069E	STD NAMEPLATE,SUPER-E SEVER DUTY XEX	1.000	

**Parts List (continued)**

<b>Product ID</b>	<b>Description</b>	<b>Quantity</b>	<b>List Price</b>
36PA1001	PACKAGING GROUP	1.000	25.00



CD0006



NOTES:

1. THREE LEAD MOTOR MAY BE EITHER WYE CONNECTED OR DELTA CONNECTED.
2. INTERCHANGE ANY TWO LINE LEADS TO REVERSE ROTATION.
3. OPTIONAL THERMOSTATS ARE PROVIDED WHEN SPECIFIED.
4. ACTUAL NUMBER OF INTERNAL PARALLEL CIRCUITS MAY VARY.
5. LEAD COLORS ARE OPTIONAL. LEADS MUST BE NUMBERED AS SHOWN.

REV. DESC: REVISE TO SHOW OPTIONAL COLORS			
REV. LTR: D	BY: JLP	REVISED: 01/21/99 4:02	TDR: 0171435
9000D		FILE: AAA00005141	MDL: -
		MTL: -	

**BALDOR ELECTRIC Co.**

3PH, SV, 3 LEADS, WYE OR DELTA CONNECTED

CD0006