



BALDOR® • *RELIANCE*

Product Information Packet

ECP83768T-4

5HP,1165RPM,3PH,60HZ,215T,TEFC,FOOT

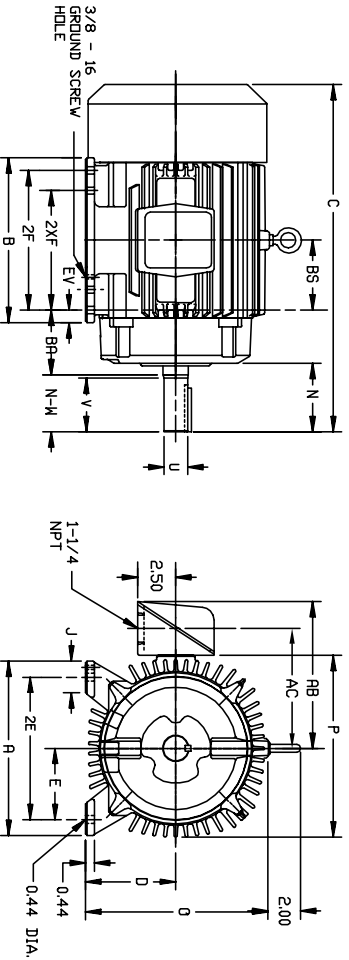
Product Detail			
Model Number:	ECP83768T-4	Environment:	Harsh / Mill & Chemical
Voltage:	460	HP:	5
Rpm:	1165	Efficiency:	Premium (XE)
Phase:	3	Frequency:	60
Inverter Duty:	*	Enclosure:	TEFC
Frame Group:	210	Frame Size:	L215T
Features:	Meets IEEE-841	Mounting:	Foot Mounted
Service Factor:	1.15	Enclosure Group:	TEFC
List Price:	1710.00	Price Symbol:	SD
Speed Range:	901-1200	Insulation Class:	F
Nema Design:	B	Encl Enhancement:	
Catalog Page:	M-22,B	Dimension Sheet:	615470-841
Connection Diagram:	416820-24	Electric Design:	E01383-B-F006
Single HP:	5	Get Notes:	Meets IEEE-841
Revision:		Instruction Manual:	B-3620
Application:	General Purpose	Epact:	Y
Scaled Drawing:		Obsolete:	N
Last Data Source:	RAG,MADD	Bearing Type:	
Electrical Type:	P	Mounting Pos:	
Ambient:	40	Duty:	CONT
Amps:	6.80	Nominal Eff:	89.5
Kva Code:	J	Power Factor:	76.9
Poles:	06	Weight:	198

DUTY MASTER ALTERNATING CURRENT MOTORS

ENCLOSURE: TOTALLY ENCLOSED
 MOUNTING: FOOT
 SQUIRREL-CAGE INDUCTION
 CAST IRON CONSTRUCTION

COOLING: FAN COOLED

FRAMES 180T THRU 210T
 WITH OVERSIZE CONDUIT BOX ON 180 FRAME
 841XL



DIMENSIONS ARE IN INCHES

FRAME	A	D(2)	E	J	D	P	AB	AC	BA
182T-184T	9.00	4.50	3.75	1.75	9.88	9.50	8.94	6.94	2.75
213T-1215T	10.50	5.25	4.25	2.00	11.25	11.00	9.81	7.81	3.50

FRAME SIZE	C	BS	B	EV	2F	2XF	N	SHAFT AND KEY			WEIGHT LBS. (3)		
								N-M(6)	IC(3)	V		SO	LGTH.
182T	15.62	2.75	7.00	.75	5.50	4.50	3.00	2.75	1.1250	2.50	0.250	1.75	86
184T	15.62	2.75	7.00	.75	5.50	4.50	3.00	2.75	1.1250	2.50	0.250	1.75	91
182T	17.12	3.50	8.50	.75	5.50	4.50	3.00	2.75	1.1250	2.50	0.250	1.75	116
184T	17.12	3.50	8.50	.75	5.50	4.50	3.00	2.75	1.1250	2.50	0.250	1.75	121
213T	19.31	3.50	8.50	.75	7.00	5.50	3.62	3.38	1.3750	3.12	0.312	2.38	135
215T	19.31	3.50	8.50	.75	7.00	5.50	3.62	3.38	1.3750	3.12	0.312	2.38	145
L213T	20.19	3.94	9.12	.62	---	5.50	3.62	3.38	1.3750	3.12	0.312	2.38	175
L215T	20.19	3.94	9.12	.62	---	5.50	3.62	3.38	1.3750	3.12	0.312	2.38	185

- (1) SPECIAL DIMENSIONS APPLYING TO THIS ORDER ON THIS LINE.
- (2) *P* MAY VARY +.00, -.03
- (3) *V* VARIES +.0000, -.0005
- (4) ALL FRAMES HAVE MOUNTING HOLES FOR DUAL MOUNTING. FRAME SIZES WITHOUT THE "L" DESIGNATION ARE SUITABLE FOR CONVERSION TO F-2 MOUNTING. FRAME SIZES WITH THE "L" DESIGNATION ARE NOT SUITABLE FOR CONVERSION TO F-2 MOUNTING.
- (5) MOTOR WEIGHTS MAY VARY BY 15% DEPENDING UPON RATING.
- (6) *N-V* VARIES +.00, -.25.

CONDUIT BOX LOCATED ON OPPOSITE SIDE WHEN F-2-V-1, W-4-V-5-W-7, OR C-1 MOUNTING IS SPECIFIED.
 IF MOUNTING CLEARANCE DETAILS ARE REQUIRED, CONSULT FACTORY.
 MAXIMUM PERMISSIBLE SHAFT RUNOUT WHEN MEASURED AT END OF STD. SHAFT EXTENSION IS .001 T.I.R.

FRAME- _____ TYPE- _____ CERTIFIED FOR- _____
 ORDER- _____ ITEM- _____ HP- _____ RPM- _____ PH- _____ HZ _____ VOLTS _____
 RELIANCE SALES ORDER- _____ APPROVED BY- _____ DATE _____

RELIANCE ELECTRIC
 CLEVELAND, OHIO 44117 U.S.A.

DR. BY D. HAVES
 CK. BY R. BRYANT
 APP. BY J. HUNTER
 DATE 08-04-98

DIMENSION SHEET 615470-841
 SHEET 1 OF 2 ISSUE DATE: JANUARY 16, 2001

C/R 322289

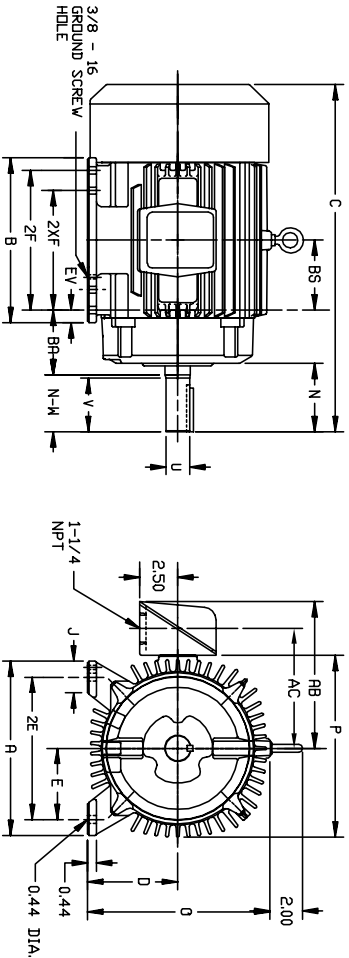
DIST - 10-541-05

DUTY MASTER ALTERNATING CURRENT MOTORS

ENCLOSURE: TOTALLY ENCLOSED
 SQUIRREL-CAGE INDUCTION
 CAST IRON CONSTRUCTION
 MOUNTING: FOOT

COOLING: FAN COOLED

FRAMES 180T THRU 210T
 WITH OVERSIZE CONDUIT BOX ON 180 FRAME
 841XL



DIMENSIONS ARE IN MILLIMETERS

FRAME SIZE	A	D(2)	E	J	D	P	AB	AC	BA
180T-184T	228.6	114.3	95.3	44.5	251.1	241.3	227.1	176.3	69.9
213T-215T	266.7	133.4	108.0	50.8	285.8	279.4	249.2	198.4	88.9

FRAME SIZE	C	BS	B	EV	2F	2XF	N	SHAFT AND KEY				WEIGHT KG. (5)	
								N-N(6)	UC2	V	SO		LGTH.
180T	396.7	63.9	177.8	19.1	---	114.3	76.2	63.9	28.58	63.5	6.35	44.5	39
184T	396.7	63.9	177.8	19.1	139.7	---	76.2	63.9	28.58	63.5	6.35	44.5	41
188T	434.8	88.9	215.9	19.1	---	114.3	76.2	63.9	28.58	63.5	6.35	44.5	53
191T	434.8	88.9	215.9	19.1	139.7	---	76.2	63.9	28.58	63.5	6.35	44.5	55
213T	490.5	88.9	215.9	19.1	---	139.7	91.9	85.9	34.93	79.2	7.92	60.5	61
215T	490.5	88.9	215.9	19.1	177.8	---	91.9	85.9	34.93	79.2	7.92	60.5	66
L213T	512.8	100.1	231.7	15.7	---	139.7	91.9	85.9	34.93	79.2	7.92	60.5	79
L215T	512.8	100.1	231.6	15.7	177.8	---	91.9	85.9	34.93	79.2	7.92	60.5	84

- (1) SPECIAL DIMENSIONS APPLYING TO THIS ORDER ON THIS LINE.
- (2) * MAY VARY +.0000, -.7620
- (3) * VARIES +.0000, -.0127
- (4) ALL FRAMES HAVE MOUNTING HOLES FOR DUAL MOUNTING. FRAME SIZES WITHOUT THE "L" DESIGNATION ARE SUITABLE FOR CONVERSION TO F-2 MOUNTING. FRAME SIZES WITH THE "L" DESIGNATION ARE NOT SUITABLE FOR CONVERSION TO F-2 MOUNTING.
- (5) MOTOR WEIGHTS MAY VARY BY 15% DEPENDING UPON RATING.
- (6) *N-W* VARIES +.00, -.635

CONDUIT BOX LOCATED ON OPPOSITE SIDE WHEN F-2,W-1, W-4,W-5,W-7, OR C-1 MOUNTING IS SPECIFIED.
 IF MOUNTING CLEARANCE DETAILS ARE REQUIRED, CONSULT FACTORY.
 MAXIMUM PERMISSIBLE SHAFT RUNOUT WHEN MEASURED AT END OF STD. SHAFT EXTENSION IS .025 T.I.R.

FRAME- _____ TYPE- _____ CERTIFIED FOR- _____
 ORDER- _____ ITEM- _____ HP- _____ RPM- _____ PH- _____ HZ _____ VOLTS _____
 RELIANCE SALES ORDER- _____ APPROVED BY- _____ DATE _____

RELIANCE ELECTRIC
 CLEVELAND, OHIO 44117 U.S.A.

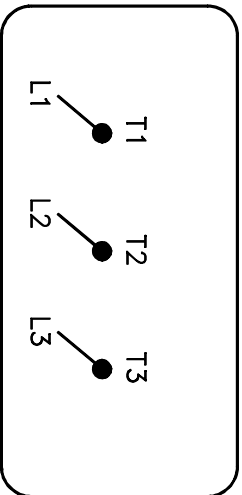
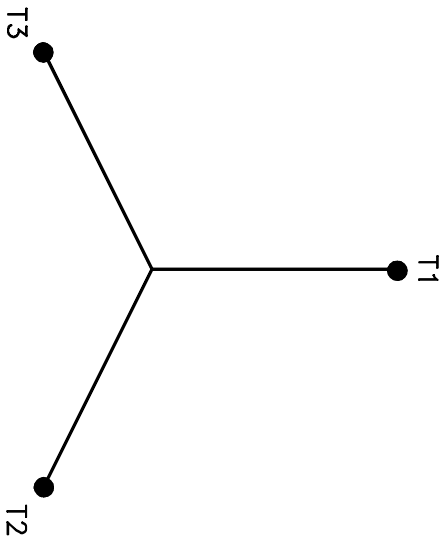
DR. BY G. ARTHUR
 CK. BY R. BRYANT
 APP. BY J.H. PDNITZER
 DATE 1-22-99

DIMENSION SHEET 615470-841
 SHEET 2 OF 2
 ISSUE DATE: JANUARY 16, 2001

C/R 32289

DIST - 10-541-05

A-C MOTOR
CONNECTION DIAGRAM
STANDARD 3 LEAD Y CONNECTED



(N.P. 1575-BA)

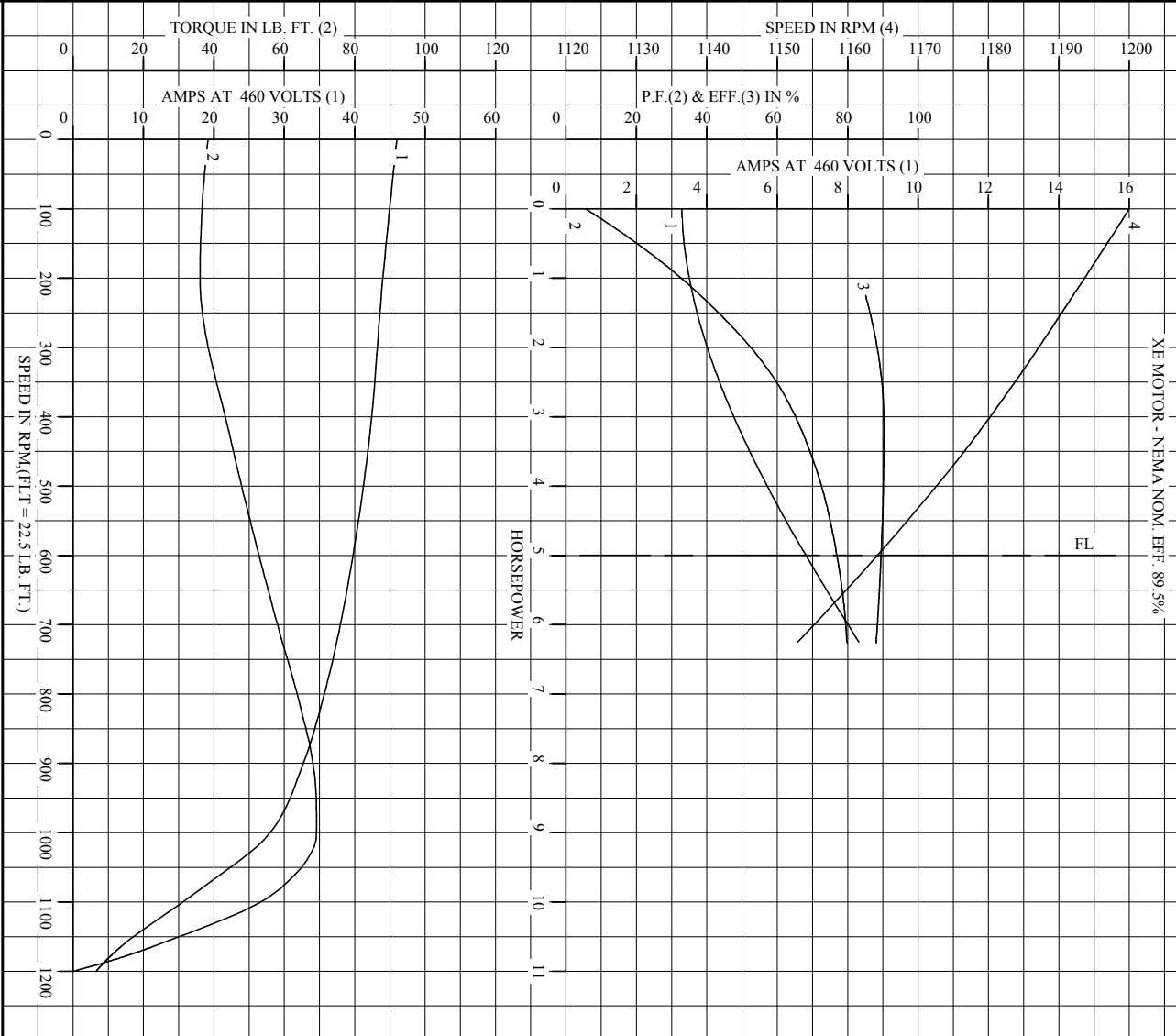
C/R

CUSTOMER _____	CUSTOMER ORDER NO. _____	RELIANCE S.O. NO. _____
RELIANCE ELECTRIC CLEVELAND, OHIO 44117	DR. BY - NEJ CK. BY - SS APP. BY - HE DATE 10/8/76	CONNECTION DIAGRAM 416820-24 ISSUE DATE APRIL 7, 1977

E:\DIAG\416820\024 RAG

10-541-04

RFL S.O. RPM 1165 S.F. 1.15 ROTOR 418425-40DE
 FRAME L215T VOLTS 460 NEMA DESIGN B TEST S.O. TYPICAL DATA
 HP 5 AMPS 6.8 CODE LETTER J TEST DATE ---
 TYPE P DUTY CONT ENCLOSURE TEFC STATOR RES. @ 25 °C 2.48
 PHASE/HERTZ 3/60 AMB °C/INSUL 40/F E/S 584984 OHMS (BETWEEN LINES)



AMPERES SHOWN FOR 460 VOLT CONNECTION, IF OTHER VOLTAGE CONNECTIONS ARE AVAILABLE, THE AMPERES WILL VARY INVERSELY WITH THE RATED VOLTAGE.

BALDOR DR. BY C.R. THOMPSON
 CK. BY K.W. KANOUE
 APP. BY K.W. KANOUE
 DATE 09/17/97

A-C MOTOR PERFORMANCE CURVES E01383-B-F006
 ISSUE DATE 10/07/97

Printed on 7/21/08 9:59 @ ragsun

REL. S.O.	FRAME	HP	TYPE	PHASE/HERTZ	RPM	VOLTS
	L215T	5	P	3/60	1165	460
AMPS	DUTY	AMB °C/ INSUL.	S.F.	NEMA DESIGN	CODE LETTER	ENCL.
6.8	CONT	40/F	1.15	B	J	TEFC
E/S	ROTOR	TEST S.O.	TEST DATE	STATOR RES. @25 °C (OHMS (BETWEEN LINES))		
584984	418425-40DE	---	---	2.48		

PERFORMANCE


LOAD	HP	AMPERES	RPM	POWER FACTOR %	EFFICIENCY %
NO LOAD	0	3.3	1200	5.57	0
1/4	1.25	3.6	1192	38.2	85.1
2/4	2.50	4.4	1184	59.8	89.7
3/4	3.75	5.5	1175	71.0	90.2
4/4	5.00	6.8	1165	76.9	89.5
5/4	6.25	8.3	1153	79.8	88.1

SPEED TORQUE

	RPM	TORQUE % FULL LOAD	TORQUE LB.-FT.	AMPERES
LOCKED ROTOR	0	170	38.3	46.0
PULL UP	200	160	36.1	44.0
BREAKDOWN	1000	307	69.2	28.0
FULL LOAD	1165	100	22.5	6.8

AMPERES SHOWN FOR 460. VOLT CONNECTION. IF OTHER VOLTAGE CONNECTIONS ARE AVAILABLE, THE AMPERES WILL VARY INVERSELY WITH THE RATED VOLTAGE

REMARKS: TYPICAL DATA
XE MOTOR - NEMA NOM. EFF. 89.5%

 BALDOR • DODGE • RELIANCE	DR. BY C.R. THOMPSON	A-C MOTOR PERFORMANCE DATA E01383-B-F006 ISSUE DATE 10/07/97
	CK. BY K.W. KANOUFF APP. BY K.W. KANOUFF DATE 09/17/97	