



BALDOR® • *RELIANCE*

Product Information Packet

ECTM2332T

10HP,1180RPM,3PH,60HZ,256T,0960M,TEAO,F1

Product Detail							
Revision:	G	Status:	PRD/A	Change #:		Proprietary:	No
Type:	AC	Prod Type:	0960M	Elec. Spec:	09WGX826	CD Diagram:	CD0180
Enclosure	TEAO	Mfg Plant:		Mech Spec:	09G943	Layout:	09LYG943
Frame:	256T	Mounting:	F1	Poles:	06	Created Date:	02-08-2006
Base:	RG	Rotation:	R	Insulation:	F	Eff. Date:	07-03-2008
Leads:	9#12	Literature:		Elec. Diagram:		Replaced By:	

Nameplate NP1260E									
CAT.NO.	ECTM2332T								
SPEC.	09G943X826G1								
HP	10								
VOLTS	230/460								
AMP	28.4/14.2								
RPM	1180								
FRAME	256T	HZ			60	PH	3		
SER.F.	1.15	CODE			J	DES	B	CL	F
NEMA-NOM-EFF	91.7	PF			72				
RATING	40C AMB-CONT								
CC				USABLE AT 208V		30			
DE	6309	ODE			6208				
ENCL	TEAO	SN							
1800 FPM @ 250CFM									

Parts List			
Product ID	Description	Quantity	List Price
SA138676	SA 09G943X826G1	1.000	1,483.00
RA128217	RA 09G943X826G1	1.000	1,236.00
S/P107-000-005	SUPER-E PROC'S(254/6 FR.) ZK PLANT - POL	1.000	
09CB1002A25P	KOBX W/1.25 NPT LEAD HOLE & 2.38 MTG HOL	1.000	67.00
09GS1010	GASKET, DWG, LEADWIRE SEPERATOR	1.000	23.00
10XN2520K12	1/4-20 X.75 GRD 5	4.000	2.00
HW1001A25	LOCKWASHER 1/4, ZINC PLT .493 OD, .255 I	4.000	2.00
HA4044A00	PLUG,PIPE 1/8 NPT PLASTIC SQUARE HEAD	2.000	2.00
WD1000B16	KPA-4C BURNDY TERMINAL	1.000	4.00
10XN2520K06	1/4-20 X 3/8" HX HD SCREWGRADE 5, ZINC P	1.000	2.00
HW1001A25	LOCKWASHER 1/4, ZINC PLT .493 OD, .255 I	1.000	2.00
09EP1100C03P	FR ENDPLATE, MACH W/EPOXY PRIMER	1.000	165.00
10XN3816K28	3/8-16 X 1.75 HEX HD CAP SCREW, GRADE 5	4.000	2.00
HW1001A38	LOCKWASHER 3/8, ZINC PLT .688 OD, .382 I	4.000	2.00
HA7205	"L" SHAPE LIFTING LUG FOR 37,39 & 40 FRA	2.000	8.00
HW5100A08	W3118-035 WVY WSHR (WB)	1.000	2.00
09EP1101A44P	PU ENDPLATE, MACH W/NO GREASER HOLES	1.000	178.00
10XN3816K24	3/8-16 X 1.50 HEX HD CAP SCREW, GRADE 5	4.000	2.00
HW4600B44SP	V-RING SLINGER 1.500 X 2.290 X 0.280	1.000	5.00
10XN2520K36	1/4-20 X 2.25" HX HD SCRWGRADE 5, ZINC P	4.000	2.00
12CB1503A01P	KOLD MACH, W/LIP & EPOXY PRIMER	1.000	94.00
12GS1002	GASKET, CONDUIT BOX LID, NEOP	1.000	9.00
10XN3118K16	5/16-18 X 1" GRADE #5, STL, ZINC PLATE	2.000	2.00
HW1001A31	LOCKWASHER 5/16, ZINC PLT.591 OD, .319 I	2.000	2.00

Parts List (continued)			
Product ID	Description	Quantity	List Price
HW2501G25	KEY, 3/8 SQ X 2.875	1.000	5.00
MJ5001A14	DYNAPRO SEAL, CP MOTORS VC#2508050 (603	0.023	151.00
MJ5001A01	46-665 RED SEALER	0.031	57.00
LB1115	LABEL,LIFTING DEVICE (ON ROLLS0	1.000	2.00
LB1002	LABEL,MARINE DUTY (ON ROLLS)	1.000	2.00
LB1182	WARNING LABEL FOR MOTORS WITH EYENUTS	1.000	6.00
LB5040	INSTRUCTION TAG, AC & DC	1.000	2.00
HA4001A01SP	DRAIN PLUG, PLASTIC (MICRO PLAS)	1.000	2.00
MJ1000A02	GREASE, POLYREX EM EXXON	0.080	10.00
HA4001A01SP	DRAIN PLUG, PLASTIC (MICRO PLAS)	1.000	2.00
MG1025G05	PAINT DRK MET.GRAY,W/ACTIVATOR	0.050	182.00
85XU0407S04	4X1/4 U DRIVE PIN STAINLESS	2.000	2.00
LB1119	WARNING LABEL	1.000	2.00
LB1125C02	SUPER-E (STOCK CTN LABEL SUPER-E WITH FL	4.000	2.00
LB1357	ENERGY GUIDE LABEL (BOX LABEL)	1.000	2.00
LC0181	CONNECTION LABEL	1.000	6.00
NP1260E	STD NAMEPLATE,CP,SUPER-E,SS,UL,CSA,CC, N	1.000	
09PA1000	PACKAGING GROUP COMBINED PRINT	1.000	96.00

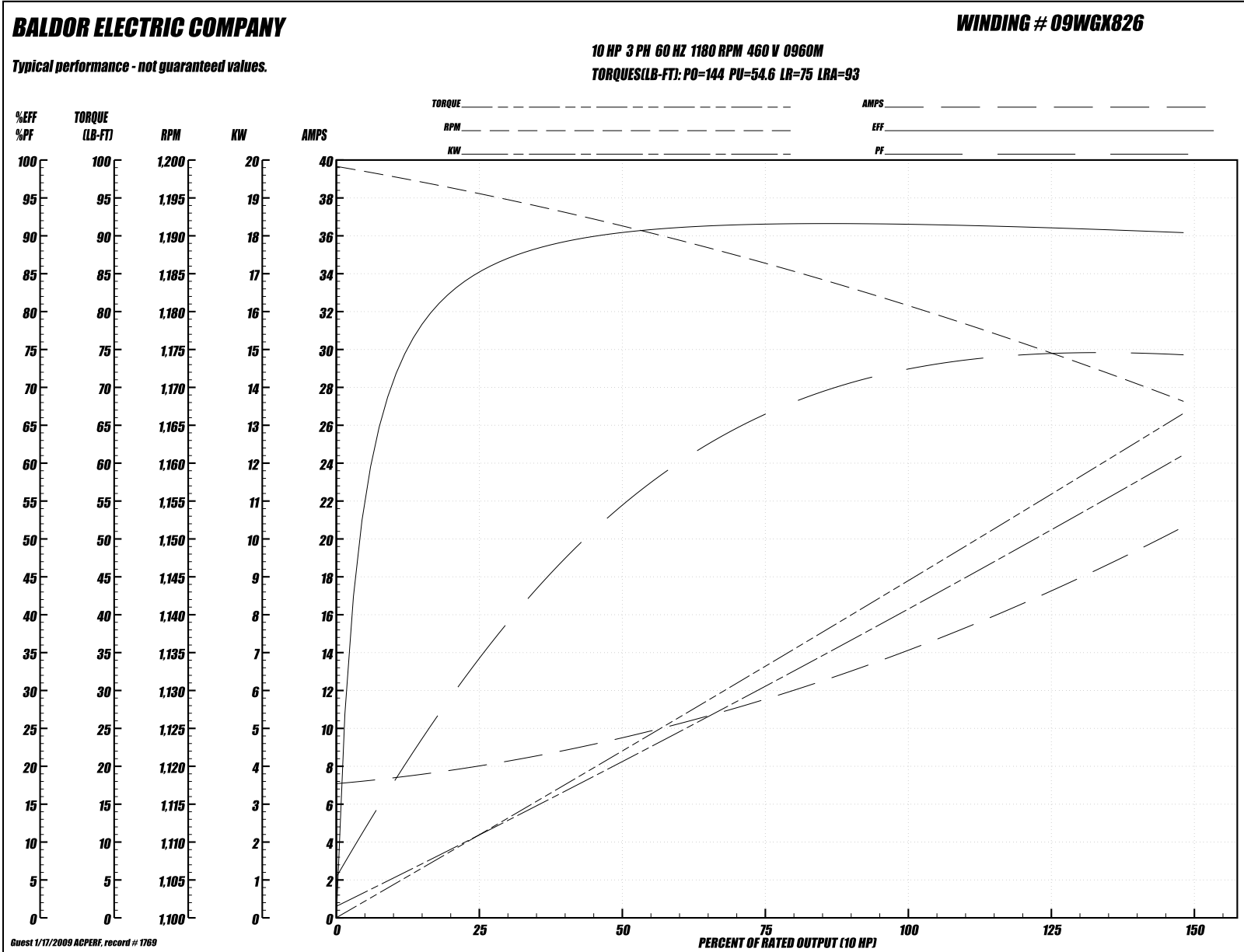
Performance Data at 460V, 60Hz, 10.0HP (Typical performance - Not guaranteed values)
General Characteristics

Full Load Torque:	44.4 LB-FT	Start Configuration:	DOL
No-Load Current:	7.15 Amps	Break-Down Torque:	144.0 LB-FT
Line-line Res. @ 25°C.:	0.676 Ohms A Ph / 0.0 Ohms B Ph	Pull-Up Torque:	54.6 LB-FT
Temp. Rise @ Rated Load:	44°C	Locked-Rotor Torque:	75.0 LB-FT
Temp. Rise @ S.F. Load:	58°C	Starting Current:	93.0 Amps

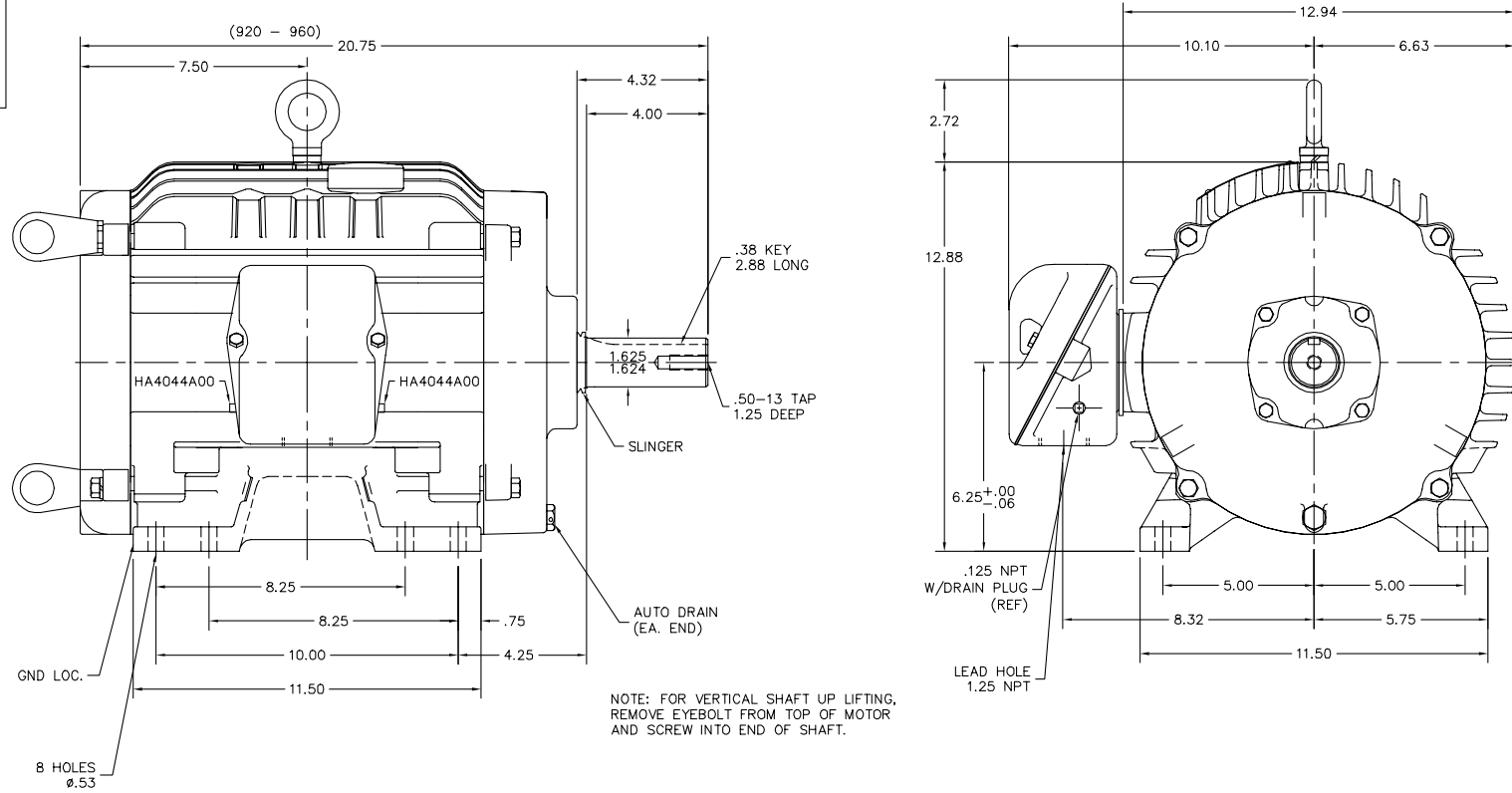
Load Characteristics

% of Rated Load:	25	50	75	100	125	150	S.F.
Power Factor:	35.0	55.0	66.0	72.0	74.0	76.0	73.0
Efficiency:	84.4	90.2	91.6	91.7	91.2	90.3	91.4
Speed:	1196.0	1191.0	1186.0	1181.0	1175.0	1168.0	1177.0
Line Amperes:	8.0	9.39	11.57	14.2	17.24	20.55	16.02

Performance Graph at 460V, 60Hz, 10.0HP (Typical performance - Not guaranteed values)



09LYG943



09LYG943

CUSTOMER IS RESPONSIBLE FOR DETERMINING THAT BALDOR'S PRODUCT WILL PERFORM SUITABLY IN THE INTENDED APPLICATION.

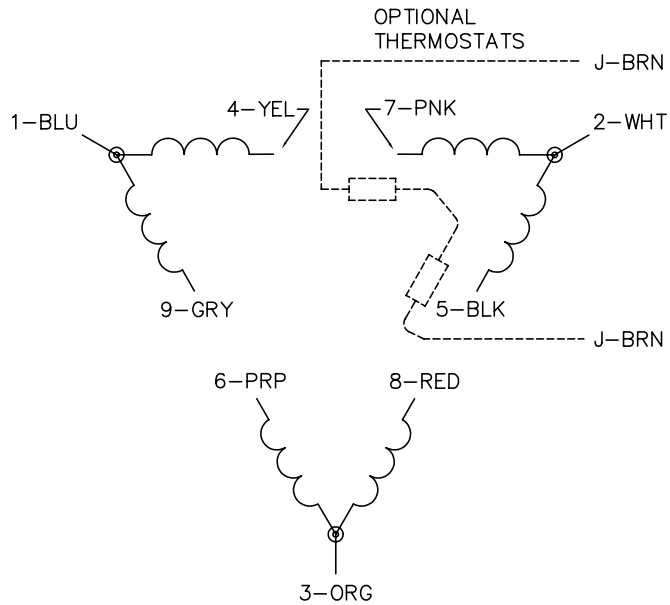
REV. DESC: OMIT Z FROM TZ IN DESCRIPTION	VERSION: 02	TDR: 000000469017
REV. LTR: B	REVISED: 10:11:33 06/30/2008	BY: ENGREHO
FILE: \AAA\00133\606		
MTL: -		

BALDOR • DODGE • RELIANCE

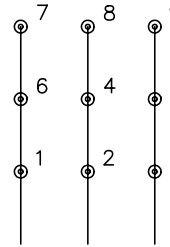
HORZ TEAO 254-6T CP COOLING TOWER MTR, SLD BRGS, VERT LIFT

SH 1 of 1

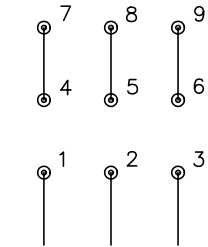
CD0180



LOW VOLTAGE
(2D)



HIGH VOLTAGE
(1D)



NOTES:

1. INTERCHANGE ANY TWO LINE LEADS TO REVERSE ROTATION.
2. OPTIONAL THERMOSTATS ARE PROVIDED WHEN SPECIFIED.
3. ACTUAL NUMBER OF INTERNAL PARALLEL CIRCUITS MAY BE A MULTIPLE OF THOSE SHOWN ABOVE.
4. LEAD COLORS ARE OPTIONAL. LEADS MUST ALWAYS BE NUMBERED AS SHOWN.

REV. DESC: REVISE TO SHOW OPTIONAL COLORS			
REV. LTR: C	BY: JLP	REVISED: 01/21/99 2:28	TDR: 0171435
0810D0		FILE: AAA00005148	MDL: -
		MTL: -	

BALDOR ELECTRIC Co.

3PH, DV, 9 LEADS, DELTA CONNECTION

CD0180