



BALDOR® • *RELIANCE*

Product Information Packet

ECTM4100T

15HP,1180RPM,3PH,60HZ,284T,1050M,TEAO,F1

Product Detail							
Revision:	G	Status:	PRD/A	Change #:		Proprietary:	No
Type:	AC	Prod Type:	1050M	Elec. Spec:	10WGX905	CD Diagram:	CD0180
Enclosure	TEAO	Mfg Plant:		Mech Spec:	10G189	Layout:	10LYG189
Frame:	284T	Mounting:	F1	Poles:	06	Created Date:	02-09-2006
Base:	RG	Rotation:	R	Insulation:	F	Eff. Date:	08-14-2008
Leads:	9#10	Literature:		Elec. Diagram:		Replaced By:	

Nameplate NP1260E									
CAT.NO.	ECTM4100T								
SPEC.	10G189X905G1								
HP	15								
VOLTS	230/460								
AMP	39/19.5								
RPM	1180								
FRAME	284T	HZ			60	PH	3		
SER.F.	1.15	CODE			H	DES	B	CL	F
NEMA-NOM-EFF	92.4	PF			77				
RATING	40C AMB-CONT								
CC				USABLE AT 208V		41			
DE	6311	ODE			6309				
ENCL	TEAO	SN							
	2050 FPM @ 520CFM								

Parts List			
Product ID	Description	Quantity	List Price
SA138898	SA 10G189X905G1	1.000	1,977.00
RA128415	RA 10G189X905G1	1.000	1,648.00
S/P107-000-006	SUPER-E(284 FR. & UP)-ZK PLANT,POLYREX E	1.000	
HW1002A63	WASHER, 5/8 HI-COLLAR SPRLCKWASHER	1.000	2.00
10CB1000A132P	SPL KOBX W/1.50 NPT LD & 2 .125 NPT DRAI	1.000	102.00
HA4044A00	PLUG,PIPE 1/8 NPT PLASTIC SQUARE HEAD	2.000	2.00
09GS1010	GASKET, DWG, LEADWIRE SEPERATOR	1.000	23.00
10XN3118K16	5/16-18 X 1" GRADE #5, STL, ZINC PLATE	4.000	2.00
HW1001A31	LOCKWASHER 5/16, ZINC PLT.591 OD, .319 I	4.000	2.00
WD1000B16	KPA-4C BURNDY TERMINAL	1.000	4.00
10XN2520K06	1/4-20 X 3/8" HX HD SCREWGRADE 5, ZINC P	1.000	2.00
HW1001A25	LOCKWASHER 1/4, ZINC PLT .493 OD, .255 I	1.000	2.00
10EP1104A25P	FR EP. MACH W/EPOXY PRIMER LESS GREASER	1.000	242.00
HA7205	"L" SHAPE LIFTING LUG FOR 37,39 & 40 FRA	2.000	8.00
10XN3816K28	3/8-16 X 1.75 HEX HD CAP SCREW, GRADE 5	4.000	2.00
HW5100A11	W3917-042 WVY WSHR (WB)	1.000	4.00
10EP1105A15P	PU EP. MACH W/EPOXY PRIMER, LESS GREASER	1.000	262.00
10XN3816K28	3/8-16 X 1.75 HEX HD CAP SCREW, GRADE 5	4.000	2.00
HW4600B40	V-RING SLINGER 2.000 X 2.680 X 0.280	1.000	6.00
10XN3118K40	5/16-18 X 2.50" HEX HD, GRADE 5	4.000	2.00
10CB1503A01P	CONDUIT BOX LIPPED LID, MACH W/EPXY PRMR	1.000	64.00
14GS1003	GASKET CONDUIT BOX LID, NEOP	1.000	2.00
10XN2520K16	1/4-20 X 1" HX HD SCRW GRADE 5, ZINC P	4.000	2.00
HW1001A25	LOCKWASHER 1/4, ZINC PLT .493 OD, .255 I	4.000	2.00

Parts List (continued)			
Product ID	Description	Quantity	List Price
HW2501H28	KEY, 1/2 SQ X 3.250	1.000	2.00
MJ5001A01	46-665 RED SEALER	0.031	57.00
MJ5001A14	DYNAPRO SEAL, CP MOTORS VC#2508050 (603	0.026	151.00
LB1115	LABEL,LIFTING DEVICE (ON ROLLS0	1.000	2.00
LB1182	WARNING LABEL FOR MOTORS WITH EYENUTS	1.000	6.00
LB1002	LABEL,MARINE DUTY (ON ROLLS)	1.000	2.00
LB5040	INSTRUCTION TAG, AC & DC	1.000	2.00
HA4001A01SP	DRAIN PLUG, PLASTIC (MICRO PLAS)	1.000	2.00
MJ1000A02	GREASE, POLYREX EM EXXON	0.130	10.00
HA4001A01SP	DRAIN PLUG, PLASTIC (MICRO PLAS)	1.000	2.00
MG1025G05	PAINT DRK MET.GRAY,W/ACTIVATOR	0.070	182.00
85XU0407S04	4X1/4 U DRIVE PIN STAINLESS	2.000	2.00
LB1119	WARNING LABEL	1.000	2.00
LB1125C02	SUPER-E (STOCK CTN LABEL SUPER-E WITH FL	4.000	2.00
LB1357	ENERGY GUIDE LABEL (BOX LABEL)	1.000	2.00
LC0181	CONNECTION LABEL	1.000	6.00
NP1260E	STD NAMEPLATE,CP,SUPER-E,SS,UL,CSA,CC, N	1.000	
40PA1005	PACKAGING GROUP, 09 STD	1.000	112.00

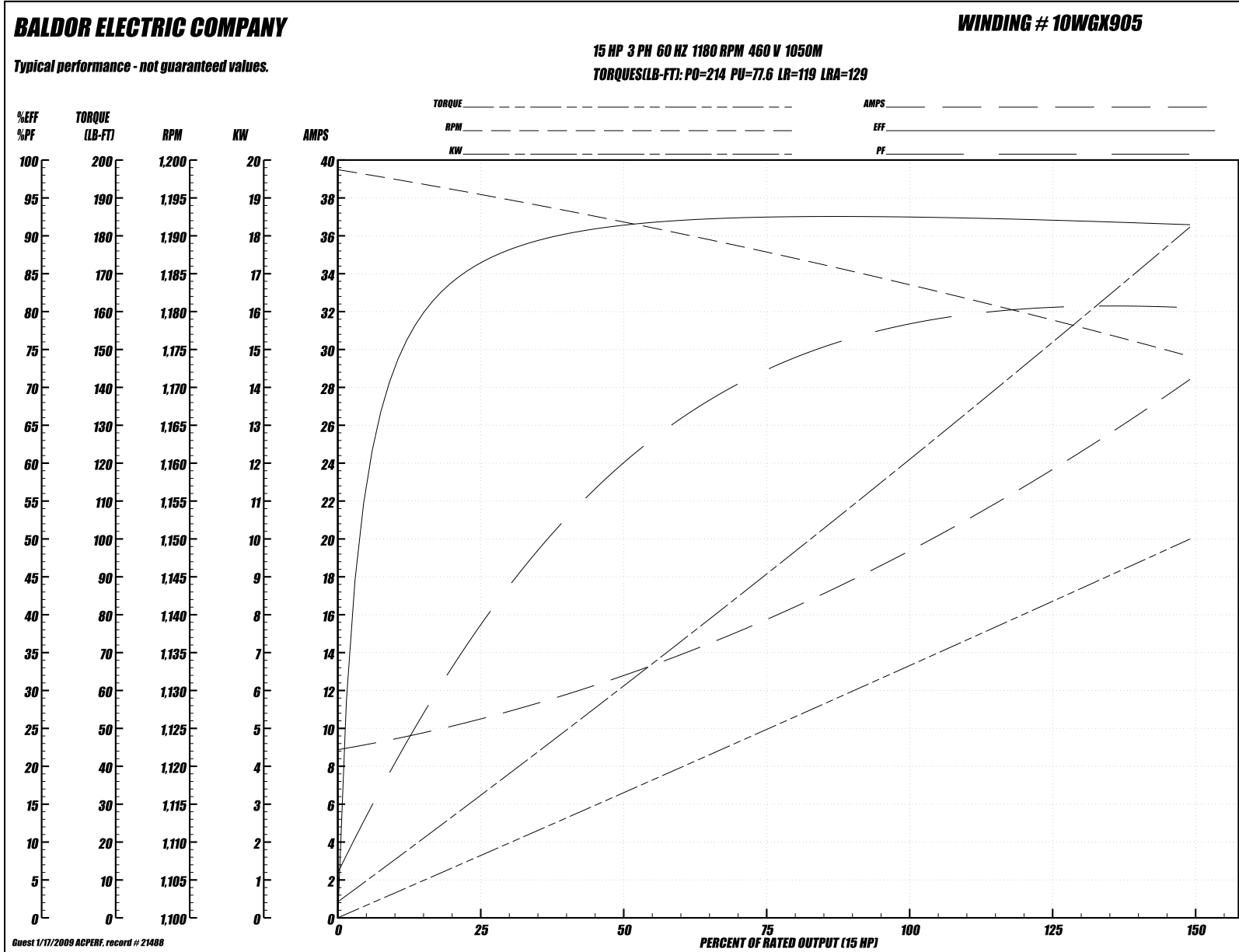
Performance Data at 460V, 60Hz, 15.0HP (Typical performance - Not guaranteed values)
General Characteristics

Full Load Torque:	65.6 LB-FT	Start Configuration:	DOL
No-Load Current:	9.16 Amps	Break-Down Torque:	214.0 LB-FT
Line-line Res. @ 25°C.:	0.498 Ohms A Ph / 0.0 Ohms B Ph	Pull-Up Torque:	77.6 LB-FT
Temp. Rise @ Rated Load:	43°C	Locked-Rotor Torque:	119.0 LB-FT
Temp. Rise @ S.F. Load:	51°C	Starting Current:	129.0 Amps

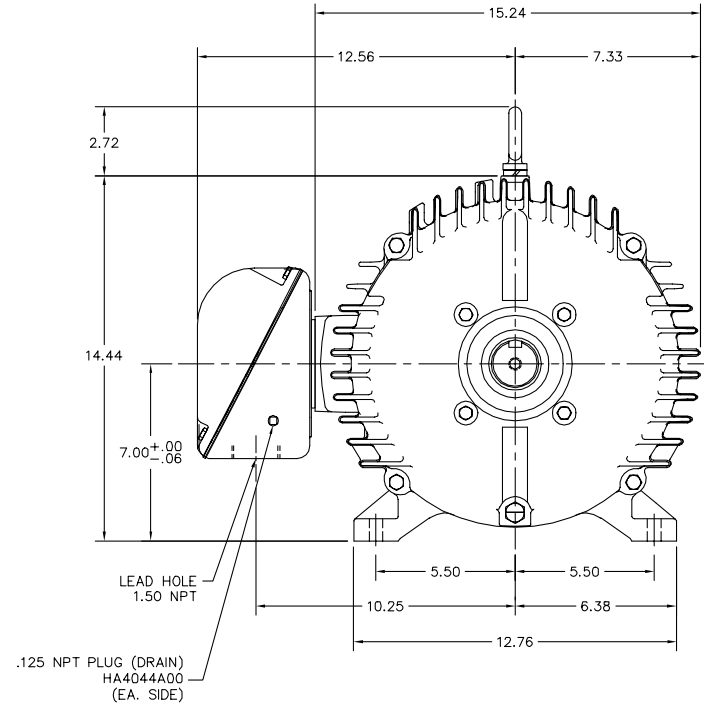
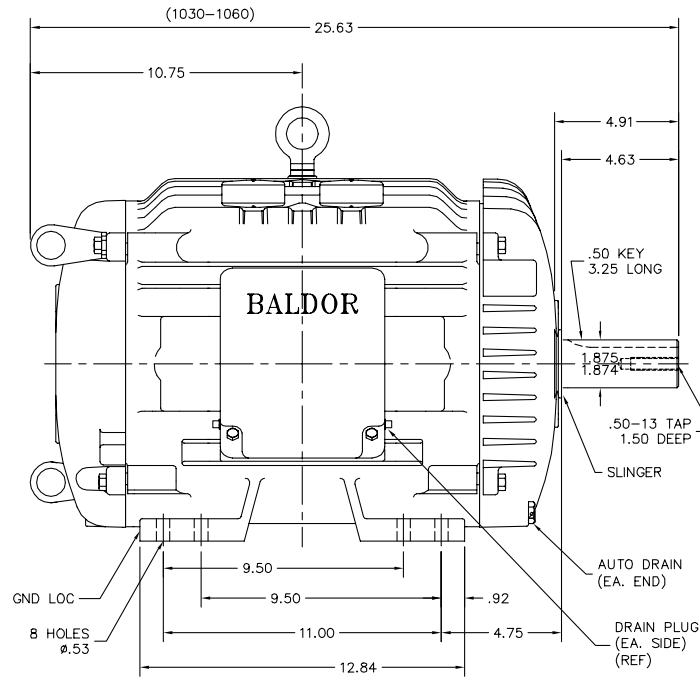
Load Characteristics

% of Rated Load:	25	50	75	100	125	150	S.F.
Power Factor:	40.0	61.0	72.0	77.0	80.0	81.0	79.0
Efficiency:	86.1	91.2	92.5	92.6	92.2	91.5	92.4
Speed:	1195.0	1192.0	1188.0	1184.0	1179.0	1174.0	1181.0
Line Amperes:	10.2	12.4	15.7	19.5	23.7	28.2	22.0

Performance Graph at 460V, 60Hz, 15.0HP (Typical performance - Not guaranteed values)



10LYG189



FOR VERTICAL SHAFT UP LIFTING,
REMOVE EYEBOLT FROM TOP OF MOTOR
AND SCREW INTO END OF SHAFT

CUSTOMER IS RESPONSIBLE FOR DETERMINING THAT MOTOR PERFORMANCE IS SUITABLE IN THE APPLICATION.

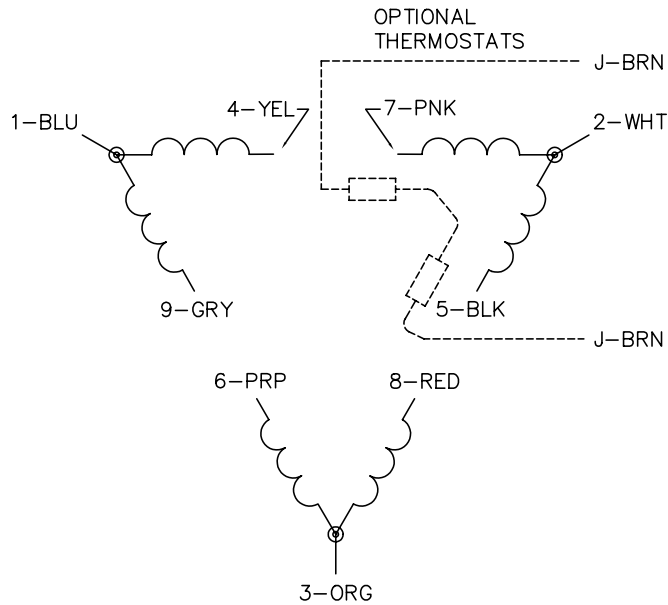
REV. DESC: REPLACED 10EP1105A41P W/ 10EP1105A15P	VERSION: 02	TDR: 000000455748
REV. LTR: B	REVISD: 13:46:19 02/06/2008	BY: ENCHRG0
FILE: \AAA\00133\696		
MTL: -		

BALDOR • DODGE • RELIANCE

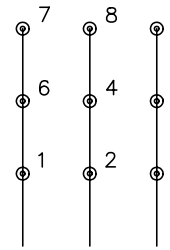
HORZ TEAO 284-6T CP, COOLING TOWER MTR, SLD BRGS, VERT LIFT

10LYG189

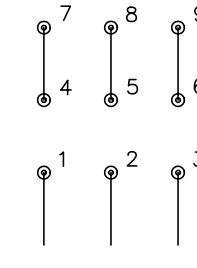
CD0180



LOW VOLTAGE
(2D)



HIGH VOLTAGE
(1D)



NOTES:

1. INTERCHANGE ANY TWO LINE LEADS TO REVERSE ROTATION.
2. OPTIONAL THERMOSTATS ARE PROVIDED WHEN SPECIFIED.
3. ACTUAL NUMBER OF INTERNAL PARALLEL CIRCUITS MAY BE A MULTIPLE OF THOSE SHOWN ABOVE.
4. LEAD COLORS ARE OPTIONAL. LEADS MUST ALWAYS BE NUMBERED AS SHOWN.

REV. DESC: REVISE TO SHOW OPTIONAL COLORS			
REV. LTR: C	BY: JLP	REVISED: 01/21/99 2:28	TDR: 0171435
0810D0		FILE: AAA00005148	MDL: -
		MTL: -	

BALDOR ELECTRIC Co.

3PH, DV, 9 LEADS, DELTA CONNECTION

CD0180