



BALDOR® • *RELIANCE*

Product Information Packet

ECTM4117T

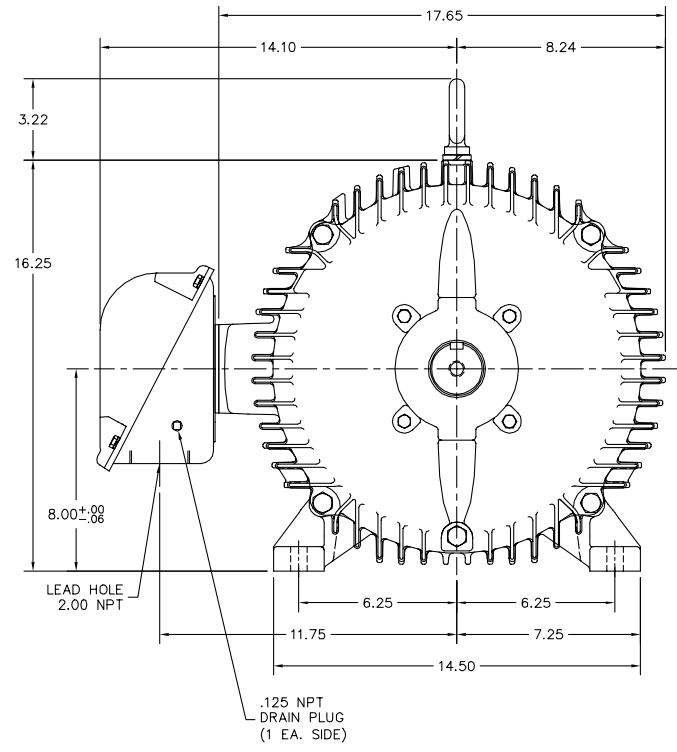
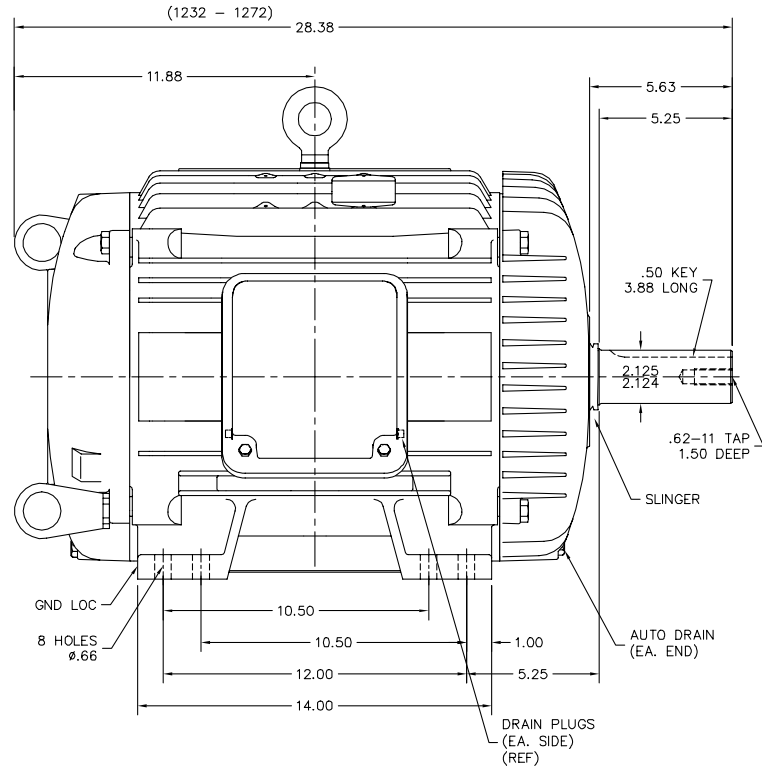
30HP,1180RPM,3PH,60HZ,324T,1260M,TEAO,F1

Product Detail									
Revision:	F	Status:	UNR/A	Change #:		Proprietary:	No		
Type:	AC	Prod Type:	1260M	Elec. Spec:	12WGX511	CD Diagram:			
Enclosure	TEAO	Mfg Plant:		Mech Spec:	12E837	Layout:	12LYE837		
Frame:	326T	Mounting:	F1	Poles:	06	Created Date:	02-09-2006		
Base:	RG	Rotation:	R	Insulation:	F	Eff. Date:	08-18-2008		
Leads:		Literature:		Elec. Diagram:		Replaced By:			
Nameplate NP1260E									
CAT.NO.	ECTM4117T								
SPEC.	12E837X511G1								
HP	30								
VOLTS	230/460								
AMP	78/39								
RPM	1180								
FRAME	326T	HZ			60	PH	3		
SER.F.	1.15	CODE			J	DES	A	CL	F
NEMA-NOM-EFF	93	PF			79				
RATING	40C AMB-CONT								
CC	USABLE AT 208V			81					
DE	6312	ODE			6311				
ENCL	TEAO	SN							
	2050 FPM @ 520CFM								

Parts List			
Product ID	Description	Quantity	List Price
SA138893	SA 12E837X511G1	1.000	3,442.00
RA128410	RA 12E837X511G1	1.000	2,869.00
S/P107-000-004	SUPER-E(284 FR. & UP)-CL PLANT,POLYREX E	1.000	
10CB1000A131P	SPL KOBX W/2.00 NPT LD & 2 .125 NPT DRAI	1.000	183.00
09GS1010	GASKET, DWG, LEADWIRE SEPERATOR	1.000	23.00
10XN3118K16	5/16-18 X 1" GRADE #5, STL, ZINC PLATE	4.000	2.00
HW1001A31	LOCKWASHER 5/16, ZINC PLT.591 OD, .319 I	4.000	2.00
HA4044A00	PLUG,PIPE 1/8 NPT PLASTIC SQUARE HEAD	2.000	2.00
WD1000B16	KPA-4C BURNDY TERMINAL	1.000	4.00
10XN2520K08	1/4-20 X .50 GRADE #5, STL, ZINC PLATE	1.000	2.00
HW1001A25	LOCKWASHER 1/4, ZINC PLT .493 OD, .255 I	1.000	2.00
12EP1107B12P	FREP MACH W/EPOXY PRIMER	1.000	286.00
10XN5013K32	1/2-13 X 2.00" HEX HD GRD 5 (20051)	4.000	2.00
HA7204	"L" SHAPE LIFTING LUG FOR 42 FRAME MOTOR	2.000	201.00
HW5100A13	W4627-047 WVY WSHER	1.000	10.00
12EP1106A07P	PU ENDPLATE, MACH NO GREASER,W/EPOXY PRI	1.000	495.00
10XN5013K28	1/2-13 X 1.75 HEX HEAD MACH SCREW,GRAD	4.000	2.00
HW4600B41	V-RING SLINGER 2.125 X 2.880 X 0.280	1.000	6.00
10XN3118K40	5/16-18 X 2.50" HEX HD, GRADE 5	4.000	2.00
10CB1503A01P	CONDUIT BOX LIPPED LID, MACH W/EPXY PRMR	1.000	64.00
14GS1003	GASKET CONDUIT BOX LID, NEOP	1.000	2.00
10XN2520K16	1/4-20 X 1" HX HD SCRW GRADE 5, ZINC P	4.000	2.00
HW1001A25	LOCKWASHER 1/4, ZINC PLT .493 OD, .255 I	4.000	2.00
HW2501H33	KEY, 1/2 SQ X 3.875	1.000	2.00

Parts List (continued)			
Product ID	Description	Quantity	List Price
MJ5001A01	46-665 RED SEALER	0.031	57.00
MJ5001A14	DYNAPRO SEAL, CP MOTORS VC#2508050 (603	0.030	151.00
LB1115	LABEL,LIFTING DEVICE (ON ROLLS0	1.000	2.00
LB1002	LABEL,MARINE DUTY (ON ROLLS)	1.000	2.00
LB1182	WARNING LABEL FOR MOTORS WITH EYENUTS	2.000	6.00
LB5040	INSTRUCTION TAG, AC & DC	1.000	2.00
HA4001A01SP	DRAIN PLUG, PLASTIC (MICRO PLAS)	1.000	2.00
MJ1000A02	GREASE, POLYREX EM EXXON	0.200	10.00
HA4001A01SP	DRAIN PLUG, PLASTIC (MICRO PLAS)	1.000	2.00
MG1025G05	PAINT DRK MET.GRAY,W/ACTIVATOR	0.080	182.00
85XU0407S04	4X1/4 U DRIVE PIN STAINLESS	2.000	2.00
LB1125C02	SUPER-E (STOCK CTN LABEL SUPER-E WITH FL	4.000	2.00
LB1357	ENERGY GUIDE LABEL (BOX LABEL)	1.000	2.00
LC0005E02	SPL CONN.DIA./WARN.LABEL(LC0005/LB1119)	1.000	2.00
NP1260E	STD NAMEPLATE,CP,SUPER-E,SS,UL,CSA,CC, N	1.000	
12PA1000	PACKAGING GROUP COMBINED PRINT PK1024A06	1.000	157.00

12LYE837



NOTE: FOR VERTICAL SHAFT UP LIFTING, REMOVE EYEBOLT FROM TOP OF MOTOR & SCREW INTO END OF SHAFT

CUSTOMER IS RESPONSIBLE FOR DETERMINING THAT MOTOR PERFORMANCE IS SUITABLE IN THE APPLICATION.

REV. DESC: REMOVE FAN HOUSING		
REV. LTR: B	VERSION: 02	TDR: 000000458104
FILE: \AAA\00133\715	REVISED: 10:09:47 03/04/2008	BY: ENGREHO
MTL: -		

BALDOR • DODGE • RELIANCE
 HORZ TEAO 324-6T CP COOLING TOWER MTR, SLD BRGS, VERT LIFT
 SH 1 of 1

12LYE837