



# **BALDOR® • *RELIANCE***

## **Product Information Packet**

### **EFM3116T**

**1HP,1740RPM,3PH,60HZ,145T,3520M,OPSB,F2**

**Product Detail**

<b>Revision:</b>	H	<b>Status:</b>	PRD/A	<b>Change #:</b>		<b>Proprietary:</b>	No
<b>Type:</b>	AC	<b>Prod Type:</b>	3520M	<b>Elec. Spec:</b>	35WGQ030	<b>CD Diagram:</b>	CD0005
<b>Enclosure</b>	OPSB	<b>Mfg Plant:</b>		<b>Mech Spec:</b>	35L654	<b>Layout:</b>	35LYL654
<b>Frame:</b>	145T	<b>Mounting:</b>	F2	<b>Poles:</b>	04	<b>Created Date:</b>	
<b>Base:</b>	RG	<b>Rotation:</b>	R	<b>Insulation:</b>	F	<b>Eff. Date:</b>	12-16-2008
<b>Leads:</b>	9#18	<b>Literature:</b>		<b>Elec. Diagram:</b>		<b>Replaced By:</b>	

**Nameplate NP1259L**

<b>CAT.NO.</b>	EFM3116T						
<b>SPEC.</b>	35L654Q030						
<b>HP</b>	1						
<b>VOLTS</b>	208-230/460						
<b>AMP</b>	3-2.8/1.4						
<b>RPM</b>	1740						
<b>FRAME</b>	145T	<b>HZ</b>	60	<b>PH</b>	3		
<b>SER.F.</b>	1.15	<b>CODE</b>	K	<b>DES</b>	B	CL	F
<b>NEMA-NOM-EFF</b>	85.5	<b>PF</b>	78				
<b>RATING</b>	40C AMB-CONT						
<b>CC</b>	010A	<b>USABLE AT 208V</b>	3				
<b>DE</b>	6205	<b>ODE</b>	6203				
<b>ENCL</b>	OPSB	<b>SN</b>					

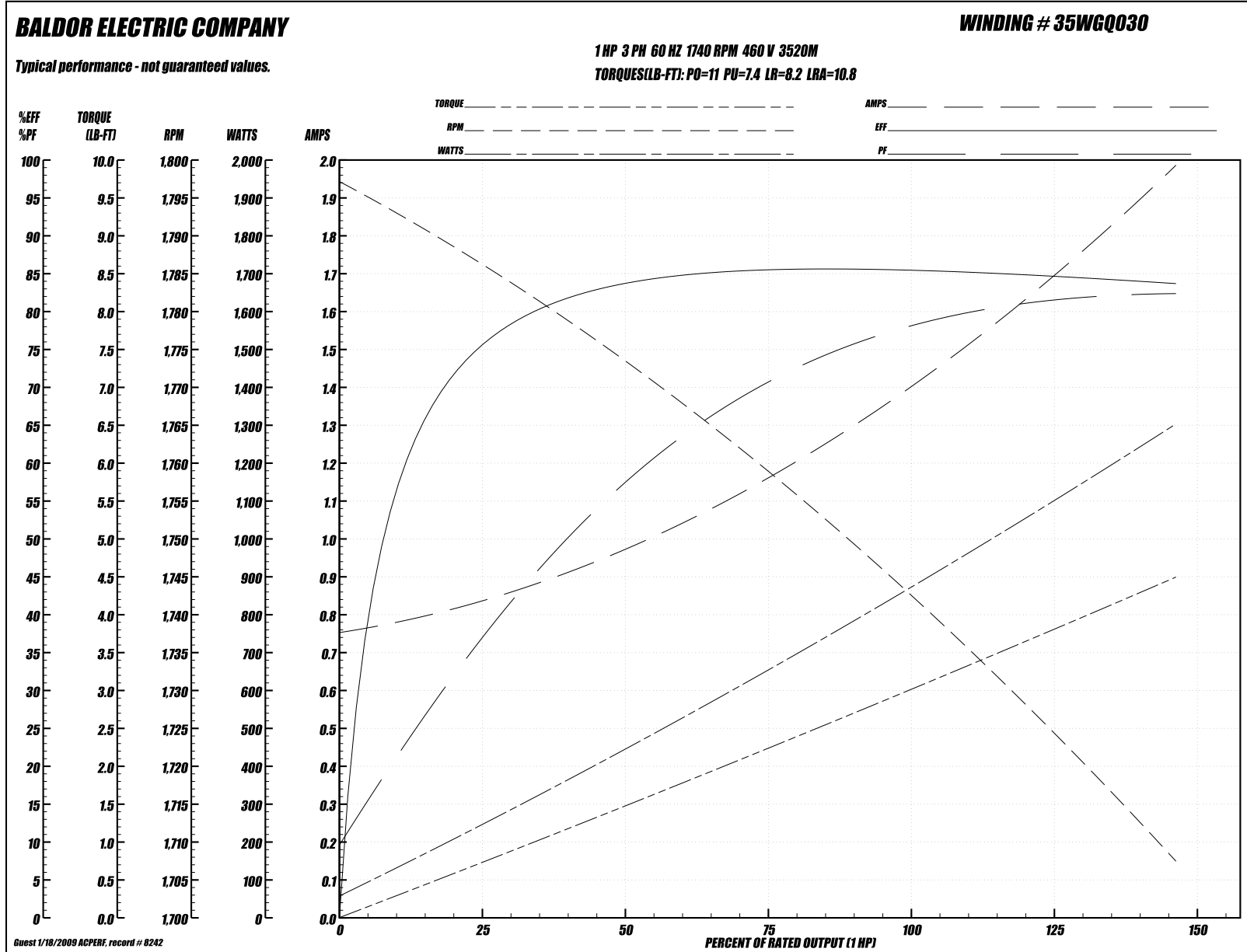
<b>Parts List</b>			
<b>Product ID</b>	<b>Description</b>	<b>Quantity</b>	<b>List Price</b>
SA081891	SA 35L654Q030	1.000	313.00
RA075232	RA 35L654Q030	1.000	261.00
S/P107-000-001	SUPER E PROC'S-FS & WS PLTS-POLYREX EM G	1.000	
NS2512A01	INSULATOR, CONDUIT BOX X X	1.000	3.00
35CB3007	35 CB CASTING W/.88 DIA. LEAD HOLE	1.000	33.00
51XB1016A07	10-16 X 7/16 HXWSSLD SERTYB	2.000	3.00
11XW1032G06	10-32 X .38, TAPTITE II, HEX WSHR SLTD U	1.000	4.00
35EP3201A01	STD FR ENDPLATE-OPEN-203 BRG W/GREASER	1.000	59.00
HW4500A01	1641B(ALEMITE)400 UNIV, GREASE FITT	1.000	3.00
HW5100A03SP	WAVY WASHER (W1543-017)	1.000	3.00
35EP3200A01	STD PU ENDPLATE-OPEN-205 BRG W/GREASER	1.000	59.00
HW4500A01	1641B(ALEMITE)400 UNIV, GREASE FITT	1.000	3.00
XY1032A02	10-32 HEX NUT DIRECTIONAL SERRATION	4.000	3.00
35CB4521	35 LIPPED CB LID (GALV & PHOSPH)	1.000	3.00
51XW0832A07	8-32 X .44, TAPTITE II, HEX WSHR SLTD SE	4.000	3.00
HW2501D13SP	KEY, 3/16 SQ X 1.375	1.000	3.00
HA7000A01	KEY RETAINER 7/8" DIA SHAFT	1.000	3.00
10XF0440S02	04-40 X 1/8 TYPE F HEX HD STAINLESS STIC	2.000	4.00
MJ1000A02	GREASE, POLYREX EM EXXON	0.050	12.00
HA3100A15	THRUBOLT 10-32 X 8.375	4.000	3.00
MG1000Y03	WILCO 149-708 GOLD PAINT SUPER E	0.017	314.00
35AD2005A01	BAFFLE PLATE,MOD 35-SLTD BAND MTRS TDR	2.000	35.00
LB1125C02	SUPER-E (STOCK CTN LABEL SUPER-E WITH FL	1.000	3.00
LC0005E01	CONN.DIA./WARNING LABEL (LC0005/LB1119)	1.000	3.00

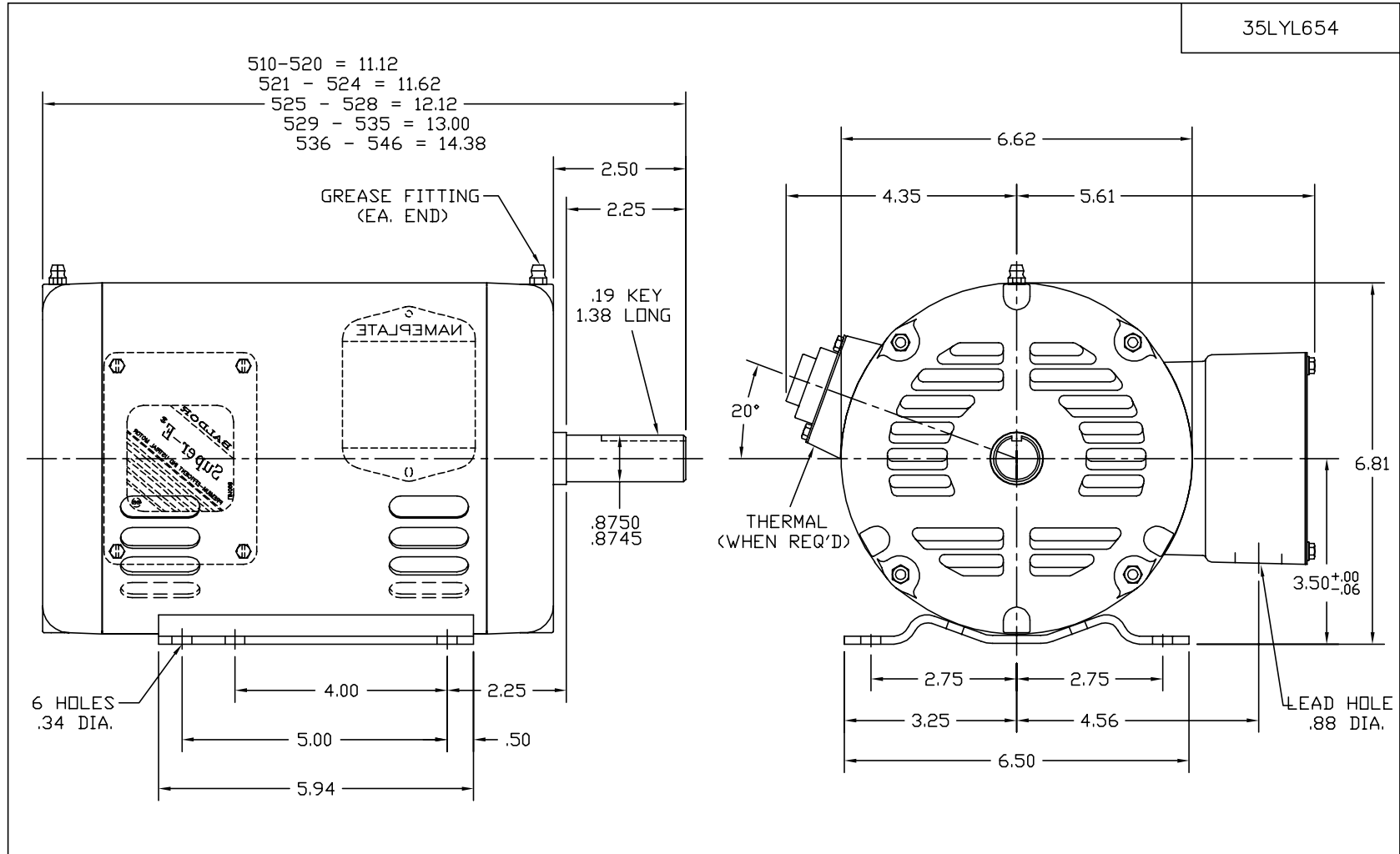
<b>Parts List (continued)</b>			
<b>Product ID</b>	<b>Description</b>	<b>Quantity</b>	<b>List Price</b>
NP1259L	STD LASER ENGRAVED, SUPER E,UL CSA CC, W	1.000	
PA1068	PACK GROUP 35 SHORT W OSB BASE	1.000	15.00
LB1357	ENERGY GUIDE LABEL (BOX LABEL)	1.000	3.00

**Performance Data at 460V, 60Hz, 1.0HP (Typical performance - Not guaranteed values)**

General Characteristics							
<b>Full Load Torque:</b>	3.0 LB-FT			<b>Start Configuration:</b>	DOL		
<b>No-Load Current:</b>	0.76 Amps			<b>Break-Down Torque:</b>	11.0 LB-FT		
<b>Line-line Res. @ 25°C.:</b>	17.1 Ohms A Ph / 0.0 Ohms B Ph			<b>Pull-Up Torque:</b>	7.4 LB-FT		
<b>Temp. Rise @ Rated Load:</b>	22°C			<b>Locked-Rotor Torque:</b>	8.2 LB-FT		
<b>Temp. Rise @ S.F. Load:</b>	26°C			<b>Starting Current:</b>	10.8 Amps		
Load Characteristics							
<b>% of Rated Load:</b>	<b>25</b>	<b>50</b>	<b>75</b>	<b>100</b>	<b>125</b>	<b>150</b>	<b>S.F.</b>
<b>Power Factor:</b>	37.0	57.0	70.0	78.0	82.0	84.0	80.0
<b>Efficiency:</b>	74.7	83.3	85.6	85.8	85.0	83.5	85.3
<b>Speed:</b>	1785.0	1772.0	1760.0	1743.0	1726.0	1707.0	1733.0
<b>Line Amperes:</b>	0.83	0.97	1.17	1.4	1.68	1.98	1.57

Performance Graph at 460V, 60Hz, 1.0HP (Typical performance - Not guaranteed values)





35LYL654

CUSTOMER IS RESPONSIBLE FOR DETERMINING THAT MOTOR PERFORMANCE IS SUITABLE IN THE APPLICATION.

REV. DESC: OMITTED LB1098 LEADER NOTE			
REV. LTR: F	BY: SSS	REVISED: 08:35:02 10/11/2001	TDR: 252051
49971654		FILE: AAA00014039	REF: 35LYL654
		MTL: -	

**BALDOR ELECTRIC Co.**

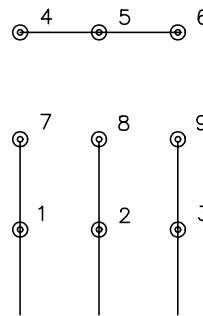
STD HDRZ 35M OPEN 143-5T SLOTTED BAND F-2 MTG (SUPER-E)

35LYL654

CD0005

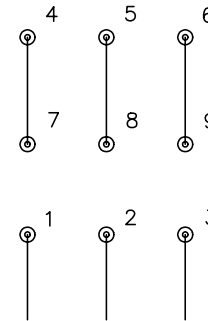


LOW VOLTAGE  
(2Y)



LINE

HIGH VOLTAGE  
(1Y)



LINE

NOTES:

1. INTERCHANGE ANY TWO LINE LEADS TO REVERSE ROTATION.
2. OPTIONAL THERMOSTATS ARE PROVIDED WHEN SPECIFIED.
3. ACTUAL NUMBER OF INTERNAL PARALLEL CIRCUITS MAY BE A MULTIPLE OF THOSE SHOWN ABOVE.
4. LEAD COLORS ARE OPTIONAL. LEADS MUST ALWAYS BE NUMBERED AS SHOWN.

REV. DESC: REVISE TO SHOW OPTIONAL COLORS			
REV. LTR: E	BY: JLP	REVISED: 01/19/99 10:15	TDR: 0171435
900000		FILE: AAA00005140	MDL: -
		MTL: -	

**BALDOR ELECTRIC Co.**

3PH, DV, 9 LEADS

CD0005