



BALDOR® • *RELIANCE*

Product Information Packet

EH3M9206

1HP,3450RPM,3PH,60HZ,56,3423M,OPEN,F3,N

Product Detail							
Revision:	A	Status:	PRD/A	Change #:		Proprietary:	No
Type:	AC	Prod Type:	3423M	Elec. Spec:	34WGY138	CD Diagram:	CD0005
Enclosure	OPEN	Mfg Plant:		Mech Spec:	34K976	Layout:	34LYK976
Frame:	56	Mounting:	F3	Poles:	02	Created Date:	12-07-2007
Base:	RG	Rotation:	R	Insulation:	B	Eff. Date:	08-15-2008
Leads:	9#18	Literature:		Elec. Diagram:		Replaced By:	

Nameplate NP1892A01

CAT.NO.	EH3M9206						
SPEC.	34K976Y138G1						
HP	1						
VOLTS	230/460						
AMPS	2.5/1.25						
RPM	3450						
FRAME	56	HZ			60	PH	3
SER.F.	1.25	CODE			J	DES	B CL B
NEMA-NOM-EFF	82.5	PF			88		
RATING	40C AMB-CONT						
CC				USABLE AT 200V	3.2		
DE	6203	ODE			6203		
AUTO	N	MANUAL			N	NONE	Y
ENCL	OPEN	SN					
BLANK	SFA 3.2/1.6						

Parts List			
Product ID	Description	Quantity	List Price
SA165647	SA 34K976Y138G1	1.000	228.00
RA154046	RA 34K976Y138G1	1.000	190.00
S/P107-000-001	SUPER E PROC'S-FS & WS PLTS-POLYREX EM G	1.000	
NS2512A01	INSULATOR, CONDUIT BOX X X	1.000	2.00
WD4100A01	DP-875 HEYCO PLUG OR 62MP0875 MICRO PLAS	1.000	2.00
35CB4006A04	KOBX, STAMPED STEEL (REL# 79097-18B)	1.000	20.00
35GS3009	GASKET, KOBX 35CB4006 (411881-15A)	1.000	2.00
51XB1016A06	10-16X3/8 HXWSSLD SERTYB	2.000	2.00
11XW1032G06	10-32 X .38, TAPTITE II, HEX WSHR SLTD U	1.000	3.00
34EP3200A01SP	FR ENDPLATE, MACH	1.000	37.00
HW5100A03SP	WAVY WASHER (W1543-017)	1.000	2.00
34EP3200A02SP	FR/PU ENDPLATE, MACH	1.000	37.00
XY1032A02	10-32 HEX NUT DIRECTIONAL SERRATION	4.000	2.00
35CB4517	CB LIPPED LID,AUTOPHORETIC,REL#79329-15A	1.000	15.00
51XW0832A07	8-32 X .44, TAPTITE II, HEX WSHR SLTD SE	4.000	2.00
HW2501D13SP	KEY, 3/16 SQ X 1.375	1.000	2.00
HA7000A04	KEY RETAINER 0.625 DIA SHAFTS	1.000	2.00
HA3100A45	THRUBOLT 10-32 X 8.875	4.000	5.00
MG1000G59	PAINT, 689.959 WILKO SILVER	0.014	456.00
LB1125C02	SUPER-E (STOCK CTN LABEL SUPER-E WITH FL	1.000	2.00
NP1892A01	NP LABEL W/CD0005 (FOR PREM EFFICIENCY H	1.000	
34PA1005	PACKING GROUP, BALDOR	1.000	10.00
LB5040	INSTRUCTION TAG, AC & DC	1.000	2.00
LB1357	ENERGY GUIDE LABEL (BOX LABEL)	1.000	2.00

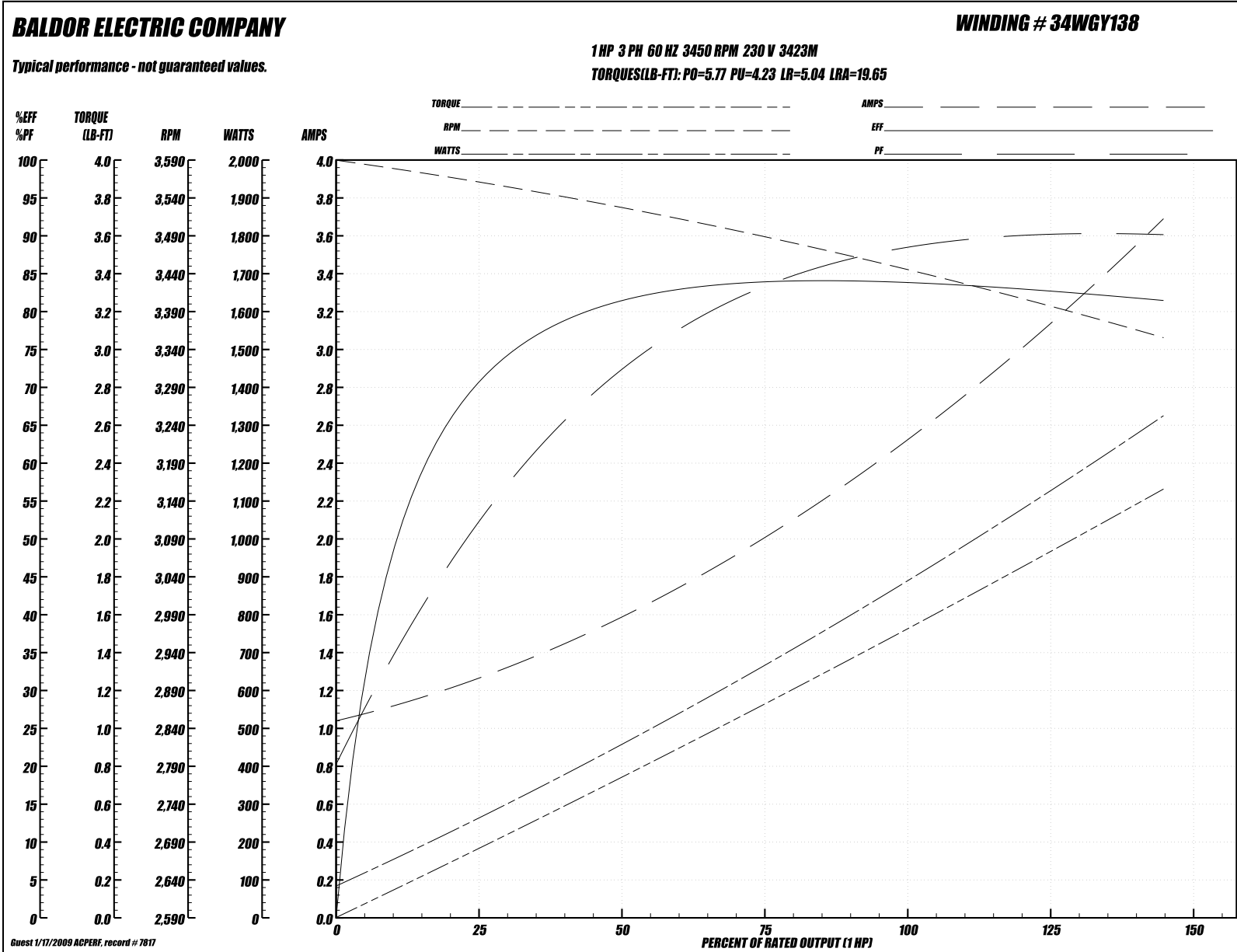
Performance Data at 230V, 60Hz, 1.0HP (Typical performance - Not guaranteed values)
General Characteristics

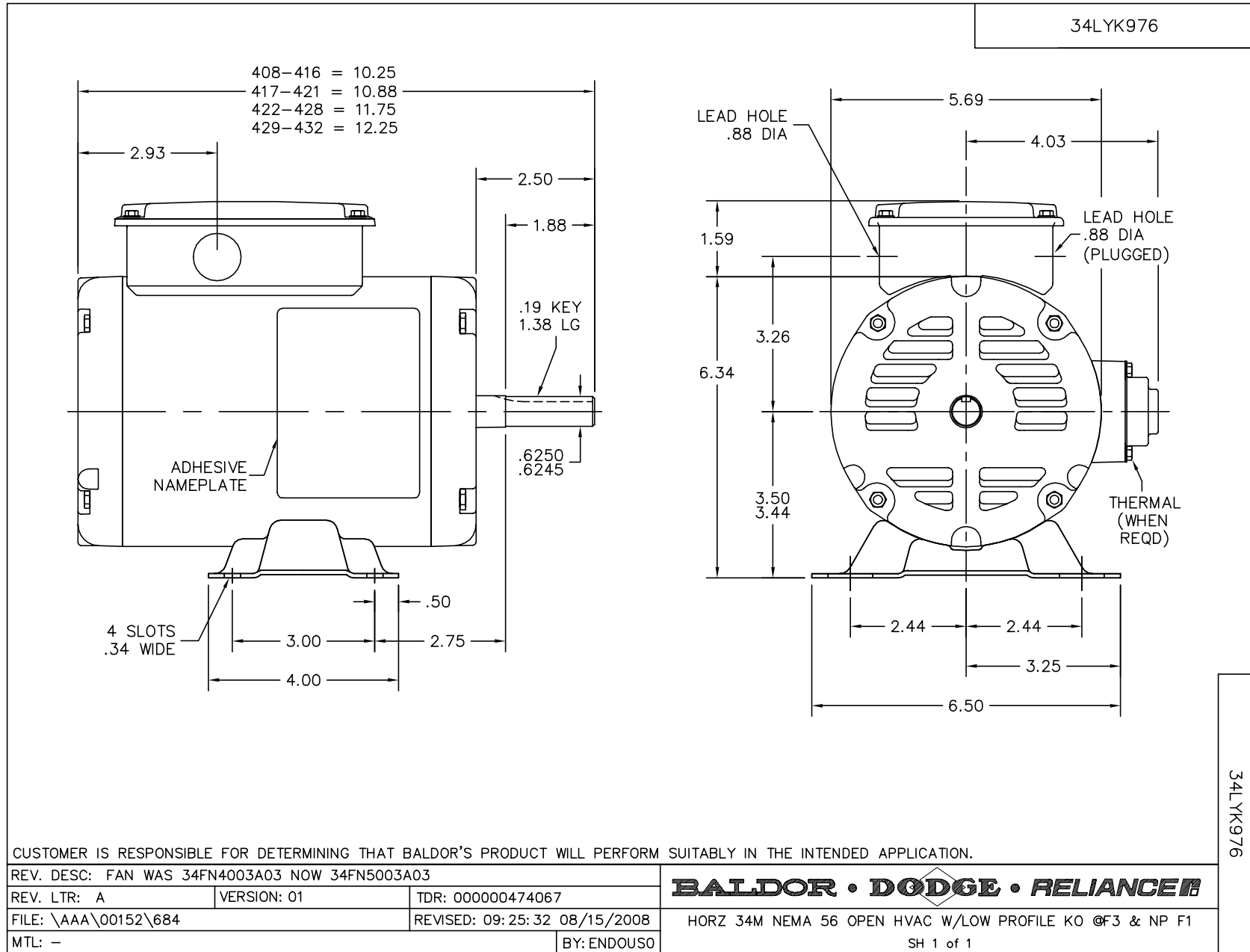
Full Load Torque:	1.51 LB-FT	Start Configuration:	DOL
No-Load Current:	1.072 Amps	Break-Down Torque:	5.77 LB-FT
Line-line Res. @ 25°C.:	4.573 Ohms A Ph / 0.0 Ohms B Ph	Pull-Up Torque:	4.23 LB-FT
Temp. Rise @ Rated Load:	0°C	Locked-Rotor Torque:	5.04 LB-FT
Temp. Rise @ S.F. Load:	0°C	Starting Current:	19.65 Amps

Load Characteristics

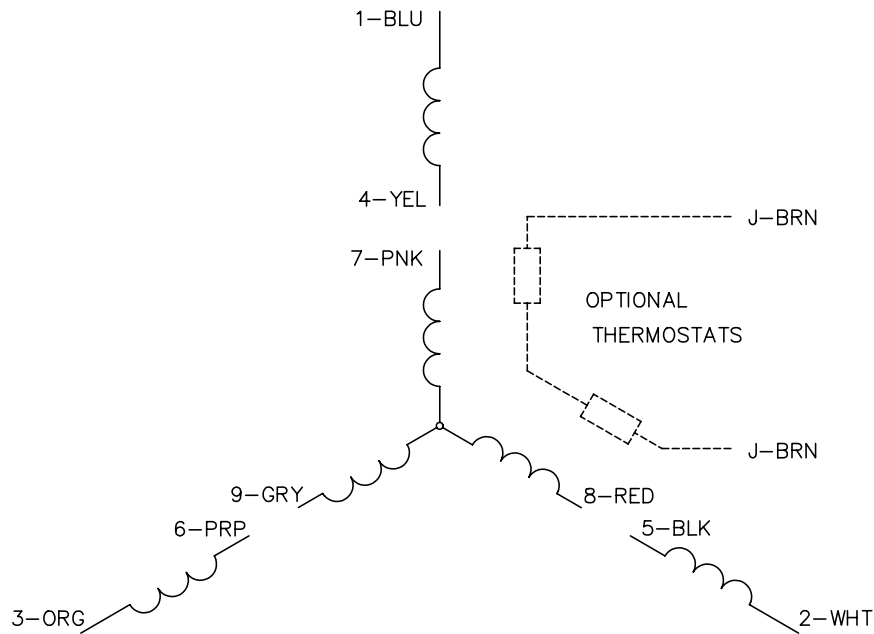
% of Rated Load:	25	50	75	100	125	150	S.F.
Power Factor:	54.0	75.0	82.0	88.0	89.0	91.0	89.0
Efficiency:	71.5	81.5	84.3	83.8	82.6	81.6	82.6
Speed:	3560.0	3526.0	3488.0	3449.0	3401.0	3356.0	3401.0
Line Amperes:	1.241	1.557	2.03	2.514	3.121	3.647	3.12

Performance Graph at 230V, 60Hz, 1.0HP (Typical performance - Not guaranteed values)

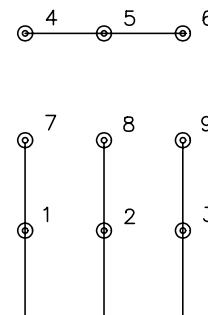




CD0005

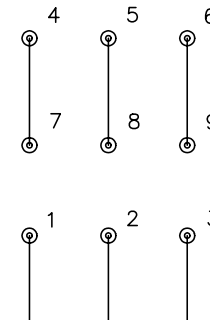


LOW VOLTAGE
(2Y)



LINE

HIGH VOLTAGE
(1Y)



LINE

NOTES:

1. INTERCHANGE ANY TWO LINE LEADS TO REVERSE ROTATION.
2. OPTIONAL THERMOSTATS ARE PROVIDED WHEN SPECIFIED.
3. ACTUAL NUMBER OF INTERNAL PARALLEL CIRCUITS MAY BE A MULTIPLE OF THOSE SHOWN ABOVE.
4. LEAD COLORS ARE OPTIONAL. LEADS MUST ALWAYS BE NUMBERED AS SHOWN.

REV. DESC: REVISE TO SHOW OPTIONAL COLORS			
REV. LTR: E	BY: JLP	REVISED: 01/19/99 10:15	TDR: 0171435
900000		FILE: AAA00005140	MDL: -
		MTL: -	

BALDOR ELECTRIC Co.

3PH, DV, 9 LEADS

CD0005