



BALDOR® • *RELIANCE*

Product Information Packet

EH3M9210T

1HP,1740RPM,3PH,60HZ,143T,3518M,OPSB,F3



Product Detail							
Revision:	B	Status:	PRD/A	Change #:		Proprietary:	No
Type:	AC	Prod Type:	3518M	Elec. Spec:	35WGR650	CD Diagram:	CD0005
Enclosure	OPSB	Mfg Plant:		Mech Spec:	35W822	Layout:	35LYW822
Frame:	143T	Mounting:	F3	Poles:	04	Created Date:	09-05-2007
Base:	RG	Rotation:	R	Insulation:	F	Eff. Date:	05-30-2008
Leads:	9#18	Literature:		Elec. Diagram:		Replaced By:	

Nameplate NP1892A01

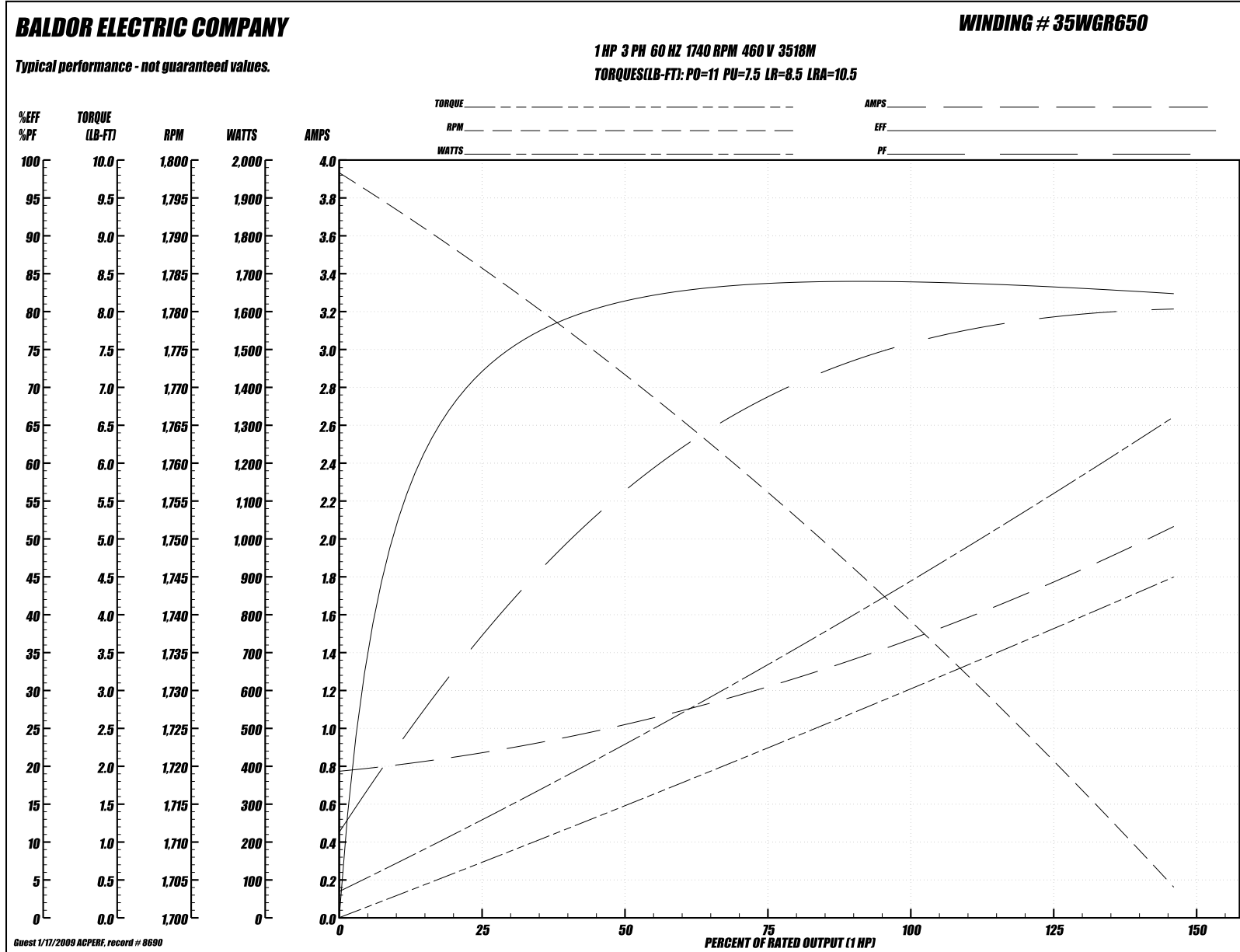
CAT.NO.	EH3M9210T						
SPEC.	35W822R650G1						
HP	1						
VOLTS	208-230/460						
AMPS	3.2-3/1.5						
RPM	1740						
FRAME	143T	HZ	60	PH	3		
SER.F.	1.15	CODE	K	DES	B	CL	F
NEMA-NOM-EFF	84	PF	77				
RATING	40C AMB-CONT						
CC	010A	USABLE AT 200V	3.2				
DE	6205	ODE	6203				
AUTO	N	MANUAL	N	NONE	Y		
ENCL	OPSB	SN					
BLANK							

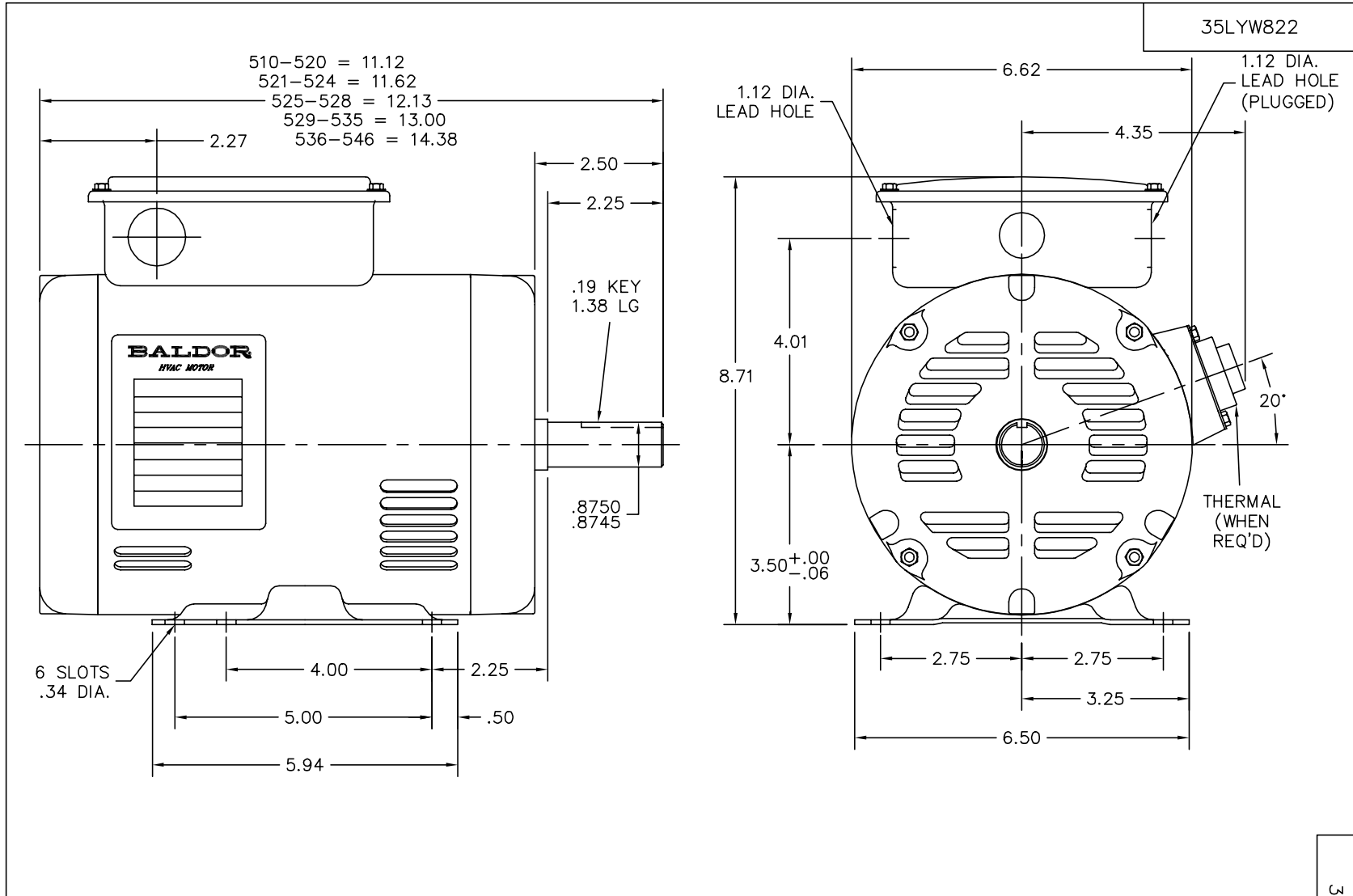
Parts List			
Product ID	Description	Quantity	List Price
SA162582	SA 35W822R650G1	1.000	298.00
RA151107	RA 35W822R650G1	1.000	249.00
NS2512A01	INSULATOR, CONDUIT BOX X X	1.000	2.00
35CB4007	KOBX, AUTOPHORETIC (REL# 79097-49-C)	1.000	10.00
WD4100A110	CAPLUG,BP-1 1/8, PLUG W/RECESSED HEAD	1.000	2.00
51XB1016A06	10-16X3/8 HXWSSLD SERTYB	3.000	2.00
11XW1032G06	10-32 X .38, TAPTITE II, HEX WSHR SLTD U	1.000	3.00
35EP3201A03	STD FR EP OPEN-203BRG-35L OR M FRAME--LE	1.000	66.00
HW5100A03SP	WAVY WASHER (W1543-017)	1.000	2.00
35EP3200A02	STD PU ENDPLATE-OPEN-205 BRG	1.000	66.00
XY1032A02	10-32 HEX NUT DIRECTIONAL SERRATION	4.000	2.00
35CB4519	CB LID RAW & UNPRIMED, REL# 79097-50-B	1.000	5.00
51XW0832A07	8-32 X .44, TAPTITE II, HEX WSHR SLTD SE	4.000	2.00
HW2501D13SP	KEY, 3/16 SQ X 1.375	1.000	2.00
HA7000A01	KEY RETAINER 7/8" DIA SHAFT	1.000	2.00
MJ1000A02	GREASE, POLYREX EM EXXON	0.050	10.00
MG1000G59	PAINT, 689.959 WILKO SILVER	0.017	456.00
HA3100A15	THRUBOLT 10-32 X 8.375	4.000	2.00
35AD2005A01	BAFFLE PLATE,MOD 35-SLTD BAND MTRS TDR	2.000	29.00
LB1125C01	STD (STOCK) CARTON LABEL BALDOR WITH FLA	1.000	2.00
NP1892A01	NP LABEL W/CD0005 (FOR PREM EFFICIENCY H	1.000	
36PA1000	PACK GROUP W/LB5001	1.000	17.00

Performance Data at 460V, 60Hz, 1.0HP (Typical performance - Not guaranteed values)

General Characteristics							
Full Load Torque:	3.0 LB-FT			Start Configuration:	DOL		
No-Load Current:	0.78 Amps			Break-Down Torque:	11.0 LB-FT		
Line-line Res. @ 25°C.:	17.3729 Ohms A Ph / 0.0 Ohms B Ph			Pull-Up Torque:	7.5 LB-FT		
Temp. Rise @ Rated Load:	25°C			Locked-Rotor Torque:	8.5 LB-FT		
Temp. Rise @ S.F. Load:	30°C			Starting Current:	10.5 Amps		
Load Characteristics							
% of Rated Load:	25	50	75	100	125	150	S.F.
Power Factor:	40.0	57.0	70.0	77.0	82.0	84.0	80.0
Efficiency:	72.3	80.9	83.7	84.2	83.5	82.2	83.8
Speed:	1784.0	1772.0	1756.0	1740.0	1722.0	1704.0	1729.0
Line Amperes:	0.87	1.01	1.23	1.47	1.75	2.06	1.64

Performance Graph at 460V, 60Hz, 1.0HP (Typical performance - Not guaranteed values)





CUSTOMER IS RESPONSIBLE FOR DETERMINING THAT MOTOR PERFORMANCE IS SUITABLE IN THE APPLICATION.

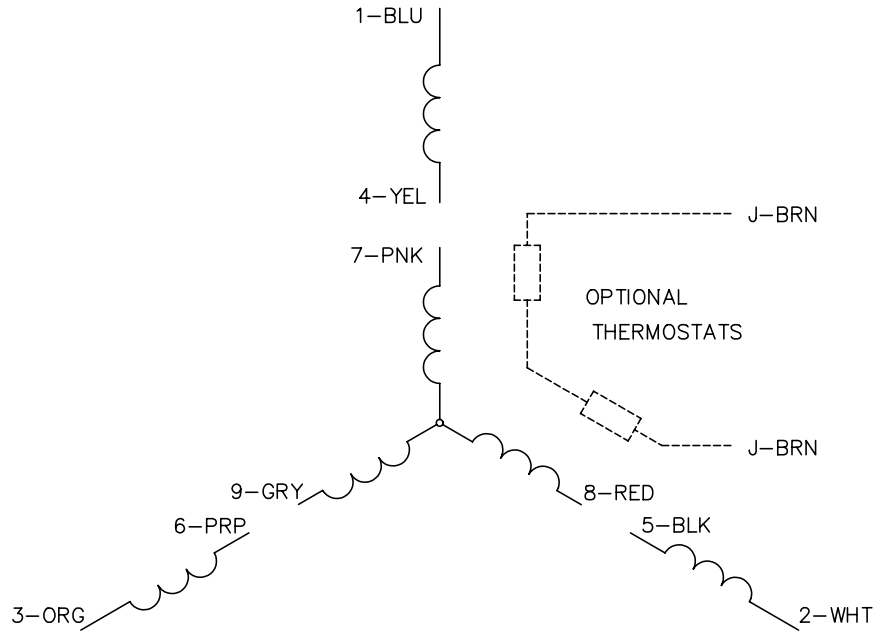
REV. DESC: NEW		
REV. LTR: -	VERSION: 00	TDR: 000000436650
ZZ8MΛ79C	FILE: \AAA\00150\474	REVISED: 14:16:15 09/04/2007
	MTL: -	BY: ENMARMO

Baldor • Dodge • Reliance

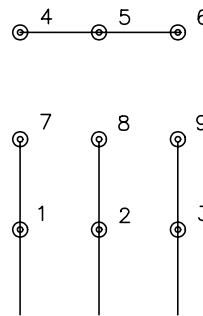
HORZ 143-5T OPSB 35M (HVAC) W/RELIANCE KOBX @ 12

35LYW822

CD0005

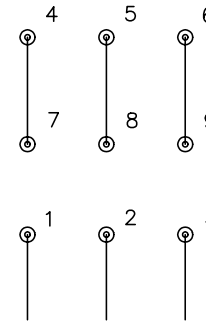


LOW VOLTAGE
(2Y)



LINE

HIGH VOLTAGE
(1Y)



LINE

NOTES:

1. INTERCHANGE ANY TWO LINE LEADS TO REVERSE ROTATION.
2. OPTIONAL THERMOSTATS ARE PROVIDED WHEN SPECIFIED.
3. ACTUAL NUMBER OF INTERNAL PARALLEL CIRCUITS MAY BE A MULTIPLE OF THOSE SHOWN ABOVE.
4. LEAD COLORS ARE OPTIONAL. LEADS MUST ALWAYS BE NUMBERED AS SHOWN.

REV. DESC: REVISE TO SHOW OPTIONAL COLORS

REV. LTR: E BY: JLP

REVISED: 01/19/99 10:15

TDR: 0171435

90000

FILE: AAA00005140

MDL: -

MTL: -

BALDOR ELECTRIC Co.

3PH, DV, 9 LEADS

CD0005