



# **BALDOR® • *RELIANCE***

## **Product Information Packet**

### **EHM2515T**

**20HP,1765RPM,3PH,60HZ,256T,3944M,OPSB,F1**



**Product Detail**

<b>Revision:</b>	B	<b>Status:</b>	PRD/A	<b>Change #:</b>		<b>Proprietary:</b>	No
<b>Type:</b>	AC	<b>Prod Type:</b>	3944M	<b>Elec. Spec:</b>	39WGW915	<b>CD Diagram:</b>	CD0180
<b>Enclosure</b>	OPSB	<b>Mfg Plant:</b>		<b>Mech Spec:</b>	39R006	<b>Layout:</b>	39LYR006
<b>Frame:</b>	256T	<b>Mounting:</b>	F1	<b>Poles:</b>	04	<b>Created Date:</b>	06-19-2006
<b>Base:</b>	RG	<b>Rotation:</b>	R	<b>Insulation:</b>	F	<b>Eff. Date:</b>	03-27-2007
<b>Leads:</b>	9#10	<b>Literature:</b>		<b>Elec. Diagram:</b>		<b>Replaced By:</b>	

**Nameplate NP1891A02**

<b>CAT.NO.</b>	EHM2515T						
<b>SPEC.</b>	39R006W915G1						
<b>HP</b>	20						
<b>VOLTS</b>	230/460						
<b>AMPS</b>	47/23.5						
<b>RPM</b>	1765						
<b>FRAME</b>	256T	<b>HZ</b>	60	<b>PH</b>	3		
<b>SER.F.</b>	1.15	<b>CODE</b>	H	<b>DES</b>	B	CL	F
<b>NEMA-NOM-EFF</b>	93	<b>PF</b>	86				
<b>RATING</b>	40C AMB-CONT						
<b>CC</b>	010A	<b>USABLE AT 208V</b>	49.4				
<b>DE</b>	6309	<b>ODE</b>	6208				
<b>AUTO</b>		<b>MANUAL</b>		<b>NONE</b>			
<b>ENCL</b>	OPSB	<b>SN</b>					
<b>BLANK</b>							

<b>Parts List</b>			
<b>Product ID</b>	<b>Description</b>	<b>Quantity</b>	<b>List Price</b>
SA144442	SA 39R006W915G1	1.000	1,210.00
RA133633	RA 39R006W915G1	1.000	1,009.00
S/P107-000-005	SUPER-E PROC'S(254/6 FR.) ZK PLANT - POL	1.000	
HA6361A01	LIFTING LUG FOR 37, 39 & 40 FRAME (AUTOP	2.000	2.00
39CB4000A01	CONDUIT BOX 39, STAMPED	1.000	34.00
19XW2520A08	SCREW,1/4-20X1/2 TAPTITE-II OR ROLOC 91	2.000	2.00
HW1001A25	LOCKWASHER 1/4, ZINC PLT .493 OD, .255 I	2.000	2.00
WD1000B16	KPA-4C BURNDY TERMINAL	1.000	4.00
39EP3200A01SP	FR/PU ENDPLATE, MACH	1.000	111.00
HW4500A20	1/8NPT SL PIPE PLUG	2.000	2.00
HW5100A08	W3118-035 WVY WSHR (WB)	1.000	2.00
39EP3201A13	PU ENDPLATE, MACH	1.000	155.00
HW4500A20	1/8NPT SL PIPE PLUG	2.000	2.00
XY3816A12	3/8-16 FINISHED NUT	8.000	2.00
39CB4500A01	CONDUIT BOX LID 39, STAMPED, AUTOPHORETI	1.000	34.00
51XF1032A08	10/32X1/2 HXWSHR HD, SL, TYPE F ,SERATED	2.000	2.00
HW2501G25	KEY, 3/8 SQ X 2.875	1.000	5.00
39AD2002A01	BAFFLE PLATE 39 OPEN, SLOTTED BAND MTRS	1.000	13.00
MJ1000A02	GREASE, POLYREX EM EXXON	0.030	10.00
39AD2002A01	BAFFLE PLATE 39 OPEN, SLOTTED BAND MTRS	1.000	13.00
HA3154A09	TB STUD 3/8-16 X 16.25	4.000	3.00
MG1000G27	PAINT- S9282E CHARCOAL GREY	0.050	4,000.00
LB1125C02	SUPER-E (STOCK CTN LABEL SUPER-E WITH FL	4.000	2.00
LB1357	ENERGY GUIDE LABEL (BOX LABEL)	1.000	2.00

<b>Parts List (continued)</b>			
<b>Product ID</b>	<b>Description</b>	<b>Quantity</b>	<b>List Price</b>
NP1891A02	PREM EFF HVAC MTR, W/CD0180 CONNS	1.000	
39PA1000	PACKAGING GROUP COMBINED	1.000	134.00

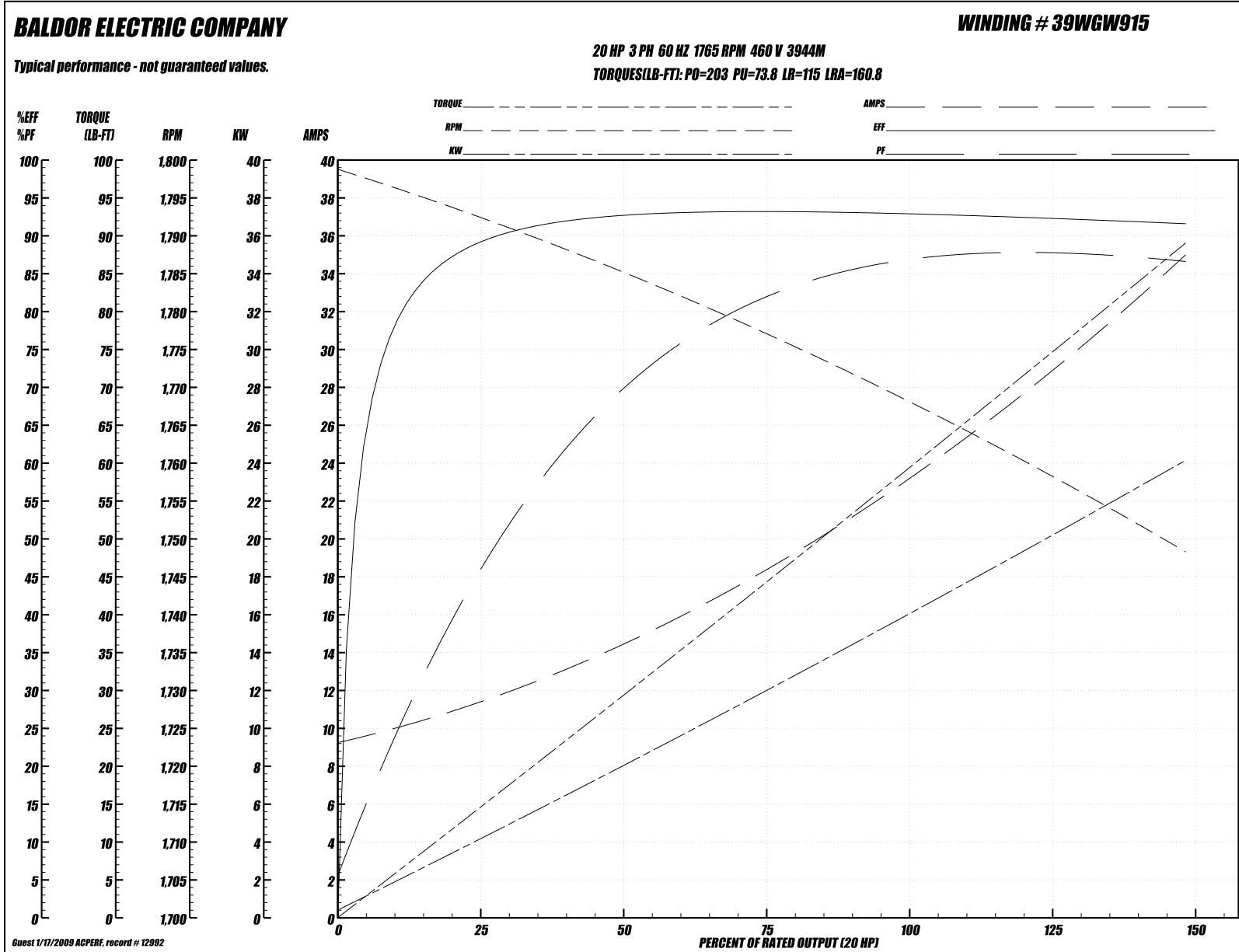
**Performance Data at 460V, 60Hz, 20.0HP (Typical performance - Not guaranteed values)**
**General Characteristics**

<b>Full Load Torque:</b>	59.4 LB-FT	<b>Start Configuration:</b>	DOL
<b>No-Load Current:</b>	9.55 Amps	<b>Break-Down Torque:</b>	203.0 LB-FT
<b>Line-line Res. @ 25°C.:</b>	0.437 Ohms A Ph / 0.0 Ohms B Ph	<b>Pull-Up Torque:</b>	73.8 LB-FT
<b>Temp. Rise @ Rated Load:</b>	33°C	<b>Locked-Rotor Torque:</b>	115.0 LB-FT
<b>Temp. Rise @ S.F. Load:</b>	44°C	<b>Starting Current:</b>	160.8 Amps

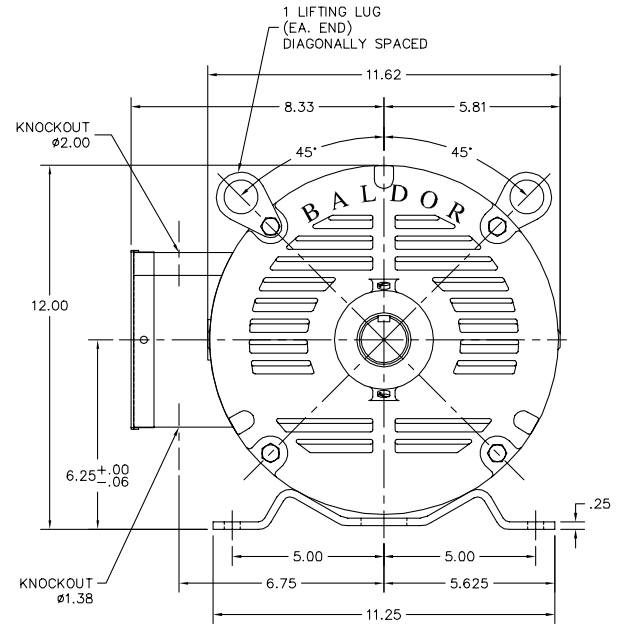
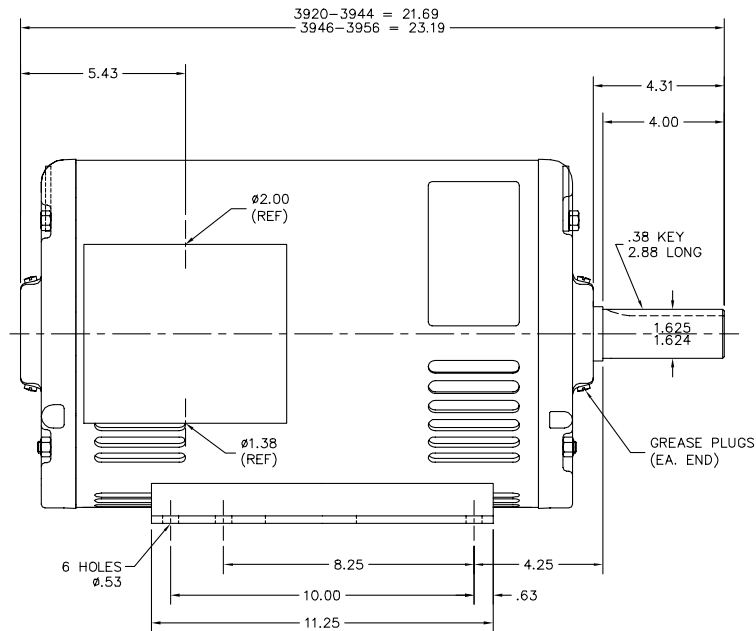
**Load Characteristics**

<b>% of Rated Load:</b>	<b>25</b>	<b>50</b>	<b>75</b>	<b>100</b>	<b>125</b>	<b>150</b>	<b>S.F.</b>
<b>Power Factor:</b>	48.0	71.0	81.0	86.0	88.0	88.0	87.0
<b>Efficiency:</b>	88.5	92.5	93.2	93.1	92.4	91.5	92.7
<b>Speed:</b>	1792.0	1785.0	1777.0	1768.0	1759.0	1748.0	1763.0
<b>Line Amperes:</b>	11.06	14.3	18.54	23.44	28.92	34.77	26.69

Performance Graph at 460V, 60Hz, 20.0HP (Typical performance - Not guaranteed values)



39LYR006



CUSTOMER IS RESPONSIBLE FOR DETERMINING THAT MOTOR PERFORMANCE IS SUITABLE IN THE APPLICATION.

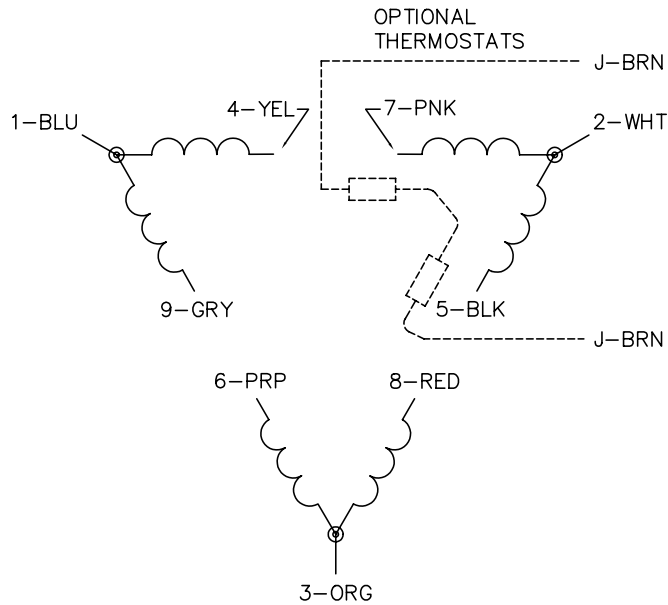
REV. DESC: OPEN IN ACAD SO THE REV WILL MATCH BUS		
REV. LTR: B	VERSION: 02	TDR: 000000425504
FILE: \AAA\00081\398	REVISED: 12:06:07 03/20/2007	BY: ENBREWO
MTL: -		

**BALDOR ELECTRIC Co.**

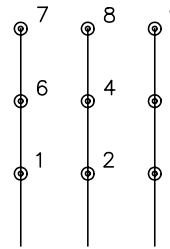
HORZ OPSB 254-6T W/ GREASE PLUGS (HVAC MOTOR) PREMIUM EFF.

39LYR006

CD0180

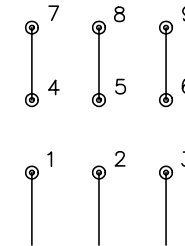


LOW VOLTAGE  
(2D)



LINE

HIGH VOLTAGE  
(1D)



LINE

NOTES:

1. INTERCHANGE ANY TWO LINE LEADS TO REVERSE ROTATION.
2. OPTIONAL THERMOSTATS ARE PROVIDED WHEN SPECIFIED.
3. ACTUAL NUMBER OF INTERNAL PARALLEL CIRCUITS MAY BE A MULTIPLE OF THOSE SHOWN ABOVE.
4. LEAD COLORS ARE OPTIONAL. LEADS MUST ALWAYS BE NUMBERED AS SHOWN.

REV. DESC: REVISE TO SHOW OPTIONAL COLORS			
REV. LTR: C	BY: JLP	REVISED: 01/21/99 2:28	TDR: 0171435
0810D0		FILE: AAA00005148	MDL: -
		MTL: -	

**BALDOR ELECTRIC Co.**

3PH, DV, 9 LEADS, DELTA CONNECTION

CD0180