



BALDOR® • *RELIANCE*

Product Information Packet

EHM9110T

1HP,1740RPM,3PH,60HZ,143T,3518M,TEFC,F1

Product Detail							
Revision:	H	Status:	PRD/A	Change #:		Proprietary:	No
Type:	AC	Prod Type:	3518M	Elec. Spec:	35WGR662	CD Diagram:	CD0005
Enclosure	TEFC	Mfg Plant:		Mech Spec:	35R176	Layout:	35LYR176
Frame:	143T	Mounting:	F1	Poles:	04	Created Date:	
Base:	RG	Rotation:	R	Insulation:	F	Eff. Date:	06-23-2006
Leads:	9#18	Literature:		Elec. Diagram:		Replaced By:	

Nameplate NP1891A01

CAT.NO.	EHM9110T						
SPEC.	35R176R662G1						
HP	1						
VOLTS	208-230/460						
AMPS	3/1.5						
RPM	1740						
FRAME	143T	HZ	60	PH	3		
SER.F.	1.15	CODE	K	DES	B	CL	F
NEMA-NOM-EFF	84	PF	77				
RATING	40C AMB-CONT						
CC	010A	USABLE AT 208V	3				
DE	6205	ODE	6203				
AUTO	N	MANUAL	N	NONE	Y		
ENCL	TEFC	SN					
BLANK							

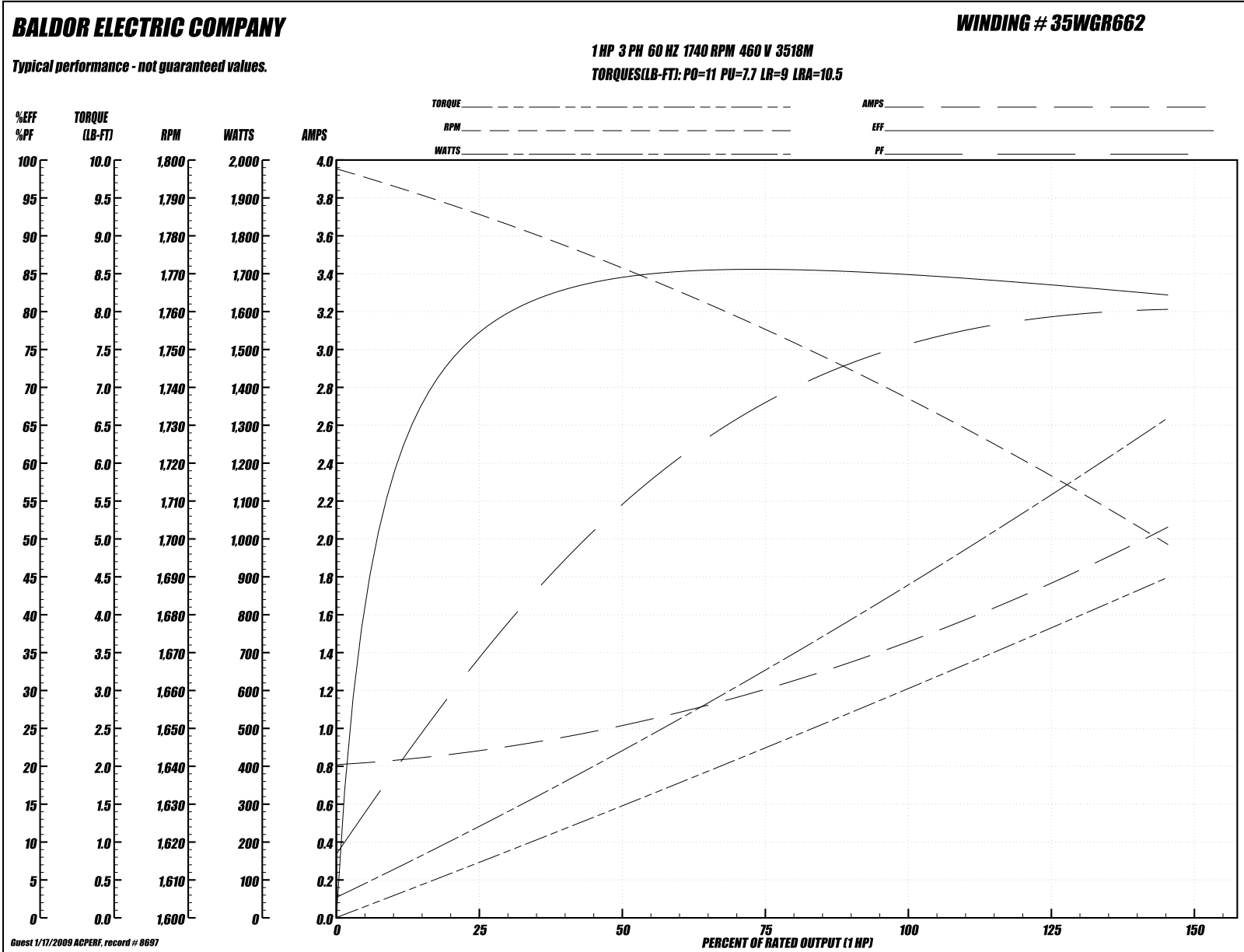
Parts List			
Product ID	Description	Quantity	List Price
SA063223	SA 35R176R662G1	1.000	338.00
RA057436	RA 35R176R662G1	1.000	282.00
NS2512A01	INSULATOR, CONDUIT BOX X X	1.000	2.00
35CB4004A13	CONDUIT BOX FOR LIC 35CB4509, .88 DIA	1.000	30.00
35GS1027	CONDUIT BOX GASKET FOR 35CB4004	1.000	2.00
51XT1032A04	10-32X1/4 HX WA SL SR TYT (F/S)	4.000	2.00
11XW1032G06	10-32 X .38, TAPTITE II, HEX WSHR SLTD U	1.000	3.00
HW3001A01	D3019 BRASS WASHER(STIMP)	1.000	2.00
35EP3100M02	FREP TEFC 203 BRG W/O GRSR (RAISED FH MT	1.000	28.00
HW5100A03SP	WAVY WASHER (W1543-017)	1.000	2.00
35EP3101A02SP	STD PU ENDPLATE-ENCL-205 BRG LESS GREASE	1.000	69.00
XY1032A02	10-32 HEX NUT DIRECTIONAL SERRATION	4.000	2.00
51XB1214A16	12-14X1.00 HXWSSLD SERTYB	1.000	2.00
35FH4005A32SP	IEC FH NO GRSR W/3 HOLES - W/AUTOPHERETI	1.000	23.00
51XW1032A06	10-32 X .38, TAPTITE II, HEX WSHR SLTD S	3.000	3.00
35CB4509	BOX LID MODEL 35 FOR 35CB4004-GALV & PHO	1.000	2.00
35GS1028	GASKET FOR CONDUIT BOX LID (35CB4509)	1.000	2.00
51XB1016A05	10-16X5/16HX WA SL SR TYB (F/S)	4.000	2.00
HW2501D13SP	KEY, 3/16 SQ X 1.375	1.000	2.00
HA7000A01	KEY RETAINER 7/8" DIA SHAFT	1.000	2.00
MJ1000A02	GREASE, POLYREX EM EXXON	0.050	10.00
35FN3002A05SP	EXTERNAL FAN, PLASTIC, FOR .637 DIA JOUR	1.000	22.00
MG1000G55	682.62 LACQUER LIGHT GRAY LHAPS	0.017	61.00
HA3100A18	THRUBOLT 10-32 X 9.250	4.000	2.00

Parts List (continued)			
Product ID	Description	Quantity	List Price
LB1125C01	STD (STOCK) CARTON LABEL BALDOR WITH FLA	1.000	2.00
NP1891A01	PREM EFF HVAC MTR, W/CD0005 CONNS	1.000	
PA1000	PACKING GROUP 3500 SHORT	1.000	8.00

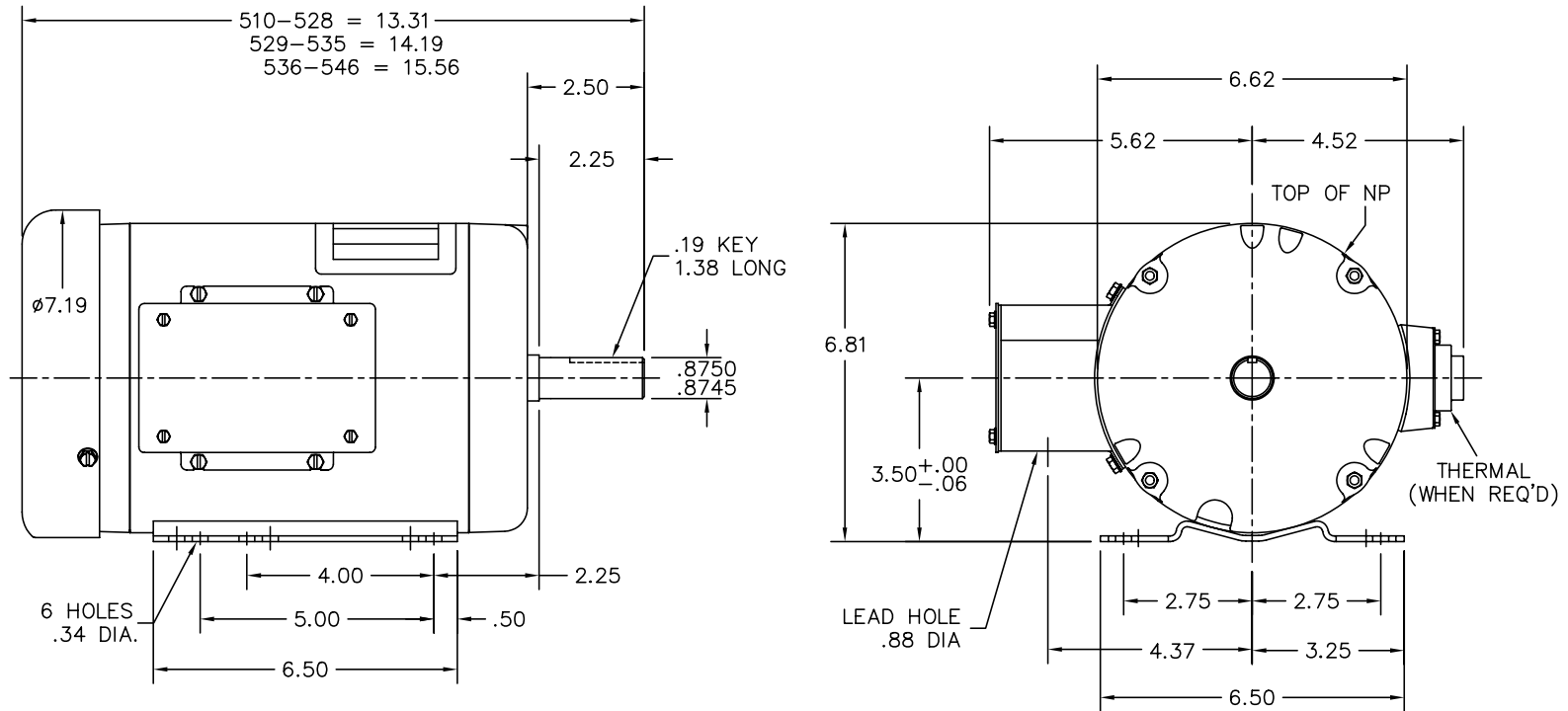
Performance Data at 460V, 60Hz, 1.0HP (Typical performance - Not guaranteed values)

General Characteristics							
Full Load Torque:	3.0 LB-FT			Start Configuration:	DOL		
No-Load Current:	0.81 Amps			Break-Down Torque:	11.0 LB-FT		
Line-line Res. @ 25°C.:	17.212 Ohms A Ph / 0.0 Ohms B Ph			Pull-Up Torque:	7.7 LB-FT		
Temp. Rise @ Rated Load:	37°C			Locked-Rotor Torque:	9.0 LB-FT		
Temp. Rise @ S.F. Load:	45°C			Starting Current:	10.5 Amps		
Load Characteristics							
% of Rated Load:	25	50	75	100	125	150	S.F.
Power Factor:	36.0	56.0	69.0	76.0	81.0	84.0	79.0
Efficiency:	77.0	84.1	85.5	85.1	84.0	82.0	84.4
Speed:	1784.0	1770.0	1755.0	1739.0	1720.0	1697.0	1728.0
Line Amperes:	0.88	1.02	1.21	1.46	1.72	2.07	1.62

Performance Graph at 460V, 60Hz, 1.0HP (Typical performance - Not guaranteed values)



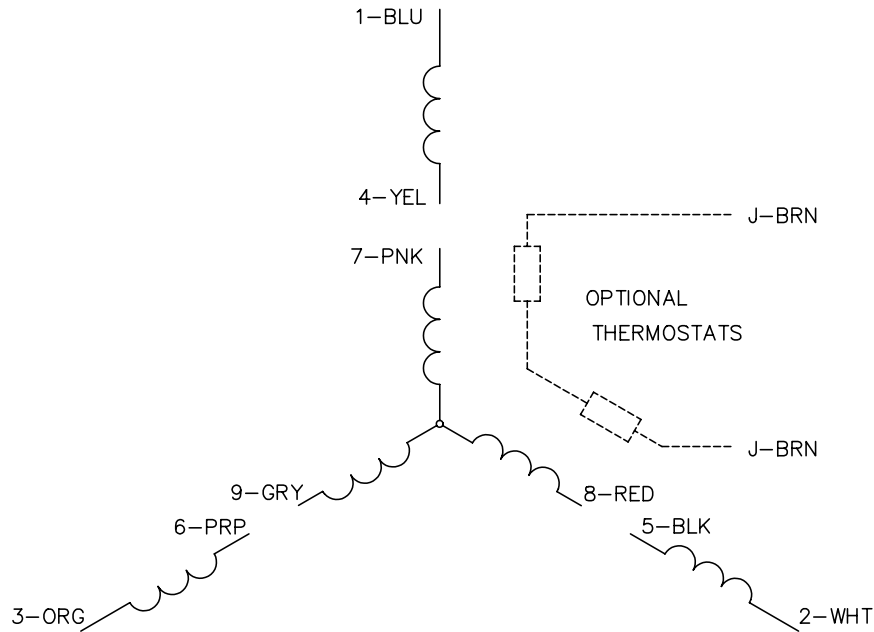
35LYR176



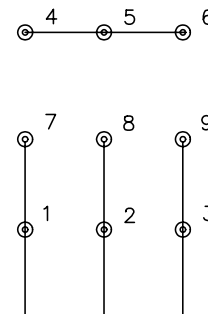
CUST. NAME		CUST. P.O.		CERTIFIED BY		MODEL		INSUL		AMB	
H.P.		MTG		TYPE		R.P.M.		VOLTS		ENCL	
PHASE		FREQ		FRAME		REV. DESC: 35SB1746 WAS 35SB1691, 35BA4013 WAS 35BA4009					
REV. LTR: A		BY: OD		REVISED: 07/03/00 3:50		TDR: 0213177					
9Z1R176		FILE: AAA00070849		MDL: -							
MTL: -		<p style="text-align: center;">BALDOR ELECTRIC Co.</p> <p style="text-align: center;">HORZ 143-5T TEFC 35M (HVAC)</p>									

35LYR176

CD0005

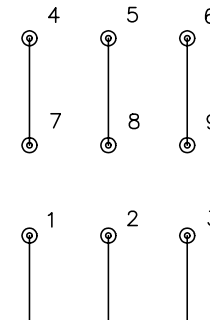


LOW VOLTAGE
(2Y)



LINE

HIGH VOLTAGE
(1Y)



LINE

NOTES:

1. INTERCHANGE ANY TWO LINE LEADS TO REVERSE ROTATION.
2. OPTIONAL THERMOSTATS ARE PROVIDED WHEN SPECIFIED.
3. ACTUAL NUMBER OF INTERNAL PARALLEL CIRCUITS MAY BE A MULTIPLE OF THOSE SHOWN ABOVE.
4. LEAD COLORS ARE OPTIONAL. LEADS MUST ALWAYS BE NUMBERED AS SHOWN.

REV. DESC: REVISE TO SHOW OPTIONAL COLORS			
REV. LTR: E	BY: JLP	REVISED: 01/19/99 10:15	TDR: 0171435
900000		FILE: AAA00005140	MDL: -
		MTL: -	

BALDOR ELECTRIC Co.

3PH, DV, 9 LEADS

CD0005