



BALDOR® • *RELIANCE*

Product Information Packet

EHM9214T

1.5HP,1740RPM,3PH,60HZ,145T,3524M,OPSB

Product Detail									
Revision:	E	Status:	PRD/A	Change #:		Proprietary:	No		
Type:	AC	Prod Type:	3524M	Elec. Spec:	35WGR659	CD Diagram:	CD0005		
Enclosure	OPSB	Mfg Plant:		Mech Spec:	35R148	Layout:	35LYR148		
Frame:	145T	Mounting:	F1	Poles:	04	Created Date:			
Base:	RG	Rotation:	R	Insulation:	F	Eff. Date:	06-23-2006		
Leads:	9#18	Literature:		Elec. Diagram:		Replaced By:			
Nameplate NP1891A01									
CAT.NO.	EHM9214T								
SPEC.	35R148R659G1								
HP	1.5								
VOLTS	208-230/460								
AMPS	4.2-4/2.1								
RPM	1740								
FRAME	145T	HZ			60	PH	3		
SER.F.	1.15	CODE			K	DES	B	CL	F
NEMA-NOM-EFF	85.5	PF			79				
RATING	40C AMB-CONT								
CC	010A	USABLE AT 208V			4.2				
DE	6205	ODE			6203				
AUTO	N	MANUAL			N	NONE	Y		
ENCL	OPSB	SN							
BLANK									

Parts List			
Product ID	Description	Quantity	List Price
SA071037	SA 35R148R659G1	1.000	283.00
RA064906	RA 35R148R659G1	1.000	236.00
NS2512A01	INSULATOR, CONDUIT BOX X X	1.000	2.00
35CB4004A13	CONDUIT BOX FOR LIC 35CB4509, .88 DIA	1.000	30.00
51XT1032A04	10-32X1/4 HX WA SL SR TYT (F/S)	4.000	2.00
11XW1032G06	10-32 X .38, TAPTITE II, HEX WSHR SLTD U	1.000	3.00
HW3001A01	D3019 BRASS WASHER(STIMP)	1.000	2.00
35EP3201A03	STD FR EP OPEN-203BRG-35L OR M FRAME--LE	1.000	66.00
HW5100A03SP	WAVY WASHER (W1543-017)	1.000	2.00
35EP3200A02	STD PU ENDPLATE-OPEN-205 BRG	1.000	66.00
XY1032A02	10-32 HEX NUT DIRECTIONAL SERRATION	4.000	2.00
35CB4509	BOX LID MODEL 35 FOR 35CB4004-GALV & PHO	1.000	2.00
51XB1016A05	10-16X5/16HX WA SL SR TYB (F/S)	4.000	2.00
HW2501D13SP	KEY, 3/16 SQ X 1.375	1.000	2.00
HA7000A01	KEY RETAINER 7/8" DIA SHAFT	1.000	2.00
MJ1000A02	GREASE, POLYREX EM EXXON	0.050	10.00
MG1000G55	682.62 LACQUER LIGHT GRAY LHAPS	0.017	61.00
35AD2005A01	BAFFLE PLATE,MOD 35-SLTD BAND MTRS TDR	2.000	29.00
HA3100A45	THRUBOLT 10-32 X 8.875	4.000	5.00
LB1125C01	STD (STOCK) CARTON LABEL BALDOR WITH FLA	1.000	2.00
NP1891A01	PREM EFF HVAC MTR, W/CD0005 CONNS	1.000	
PA1000	PACKING GROUP 3500 SHORT	1.000	8.00

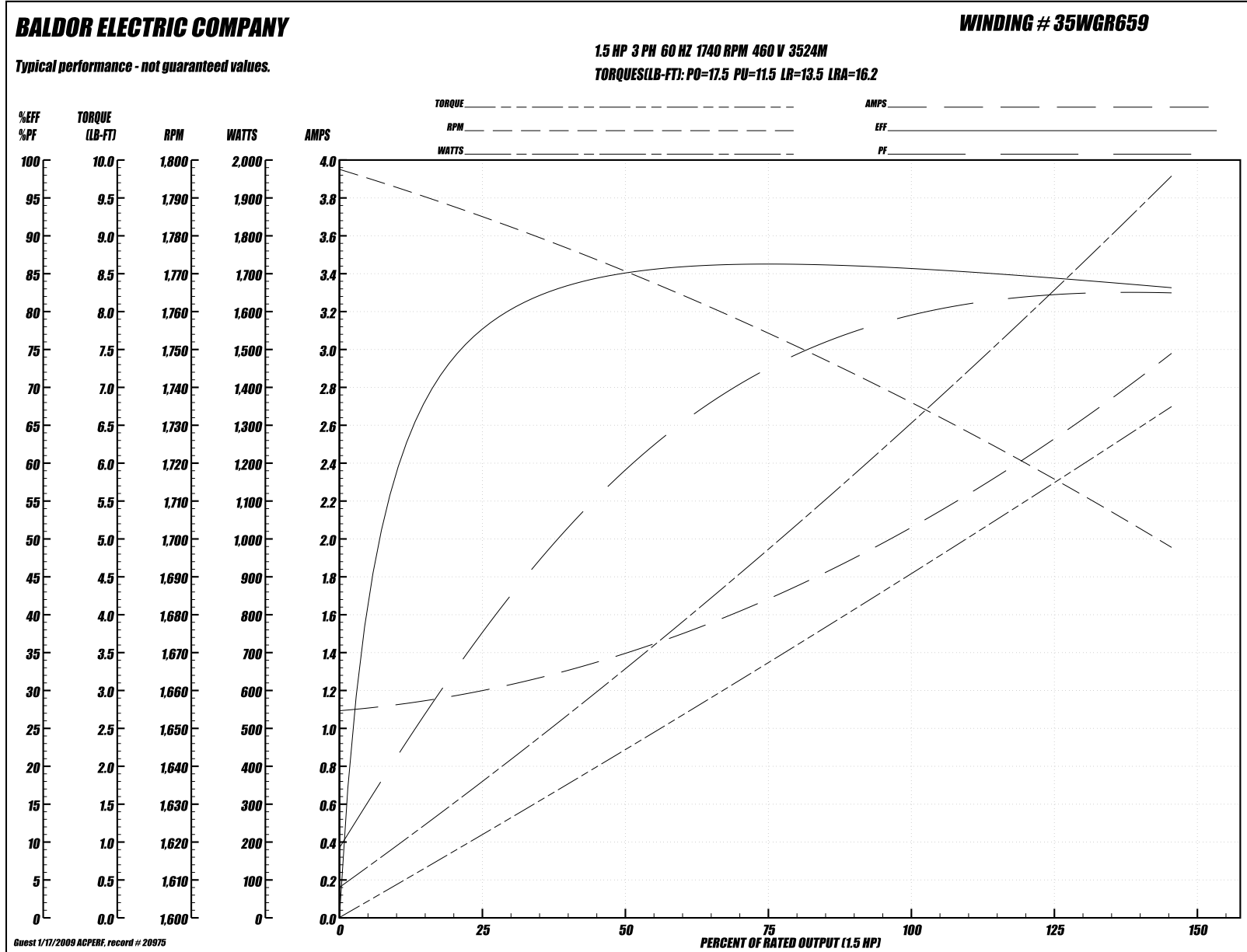
Performance Data at 460V, 60Hz, 1.5HP (Typical performance - Not guaranteed values)
General Characteristics

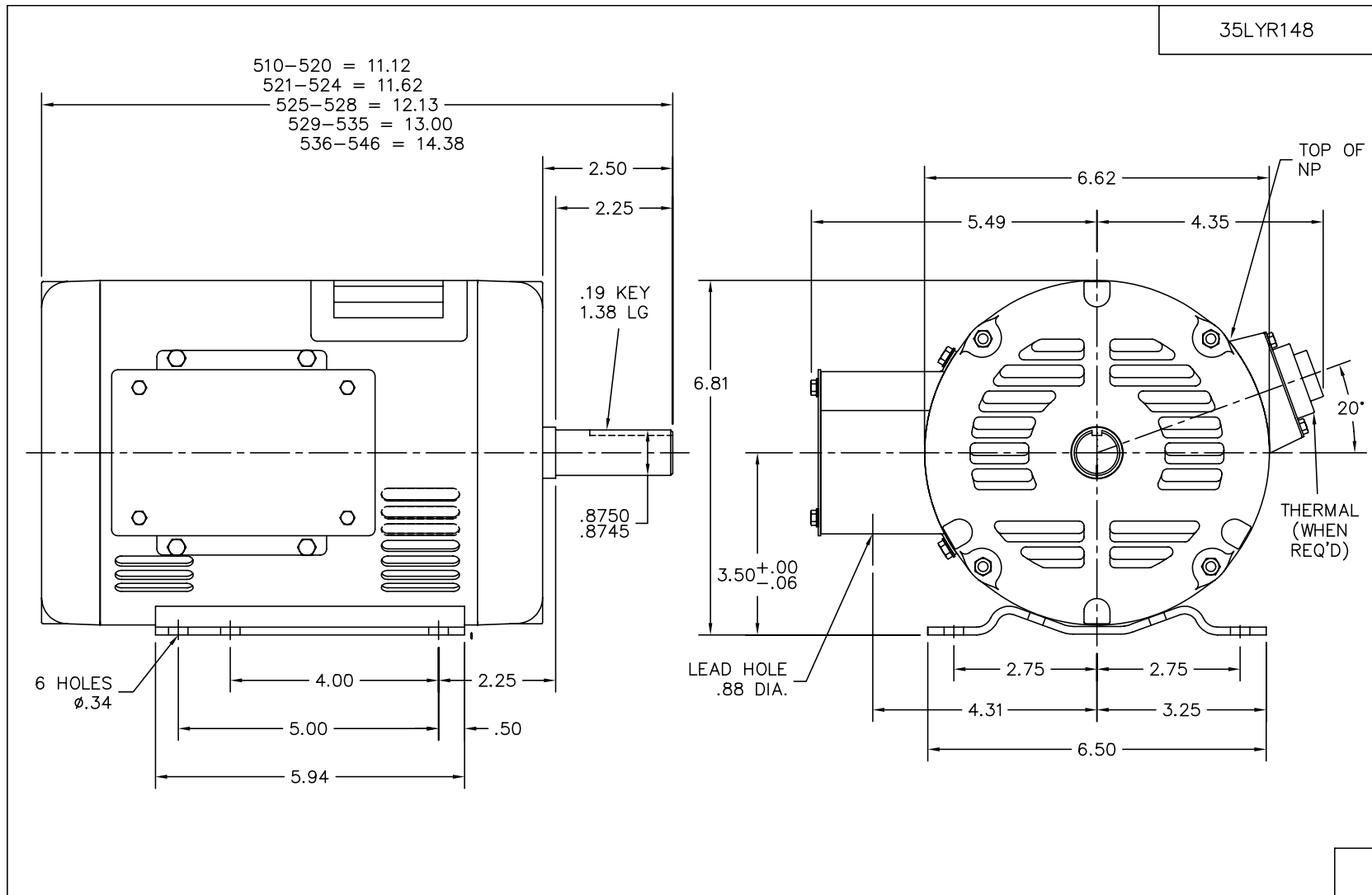
Full Load Torque:	4.5 LB-FT	Start Configuration:	DOL
No-Load Current:	1.09 Amps	Break-Down Torque:	17.5 LB-FT
Line-line Res. @ 25°C.:	11.106 Ohms A Ph / 0.0 Ohms B Ph	Pull-Up Torque:	11.5 LB-FT
Temp. Rise @ Rated Load:	0°C	Locked-Rotor Torque:	13.5 LB-FT
Temp. Rise @ S.F. Load:	0°C	Starting Current:	16.2 Amps

Load Characteristics

% of Rated Load:	25	50	75	100	125	150	S.F.
Power Factor:	38.0	59.0	72.0	79.0	83.0	85.0	81.0
Efficiency:	77.6	84.6	86.3	86.0	84.7	83.0	85.2
Speed:	1784.0	1770.0	1755.0	1737.0	1717.0	1698.0	1725.0
Line Amperes:	1.2	1.41	1.71	2.0	2.5	2.98	2.3

Performance Graph at 460V, 60Hz, 1.5HP (Typical performance - Not guaranteed values)

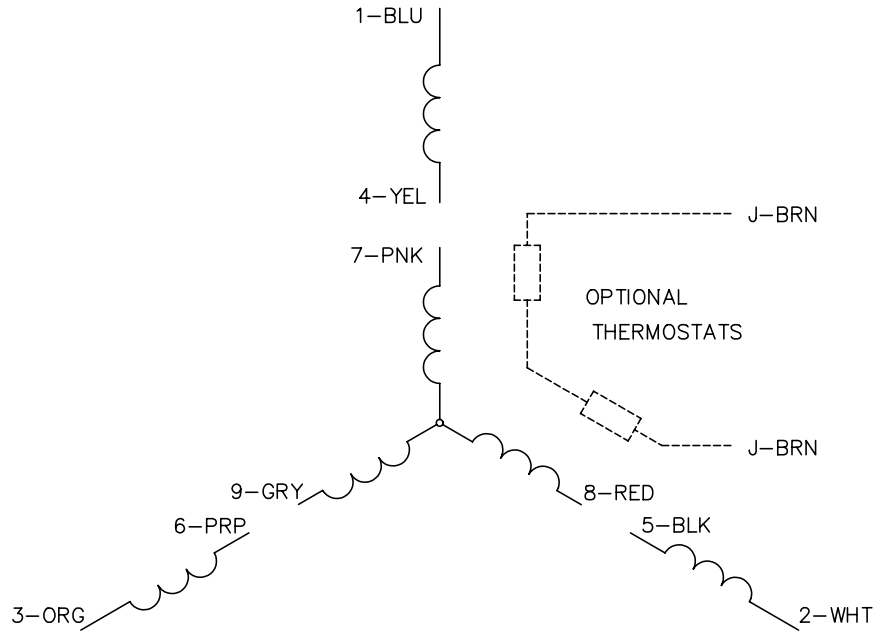




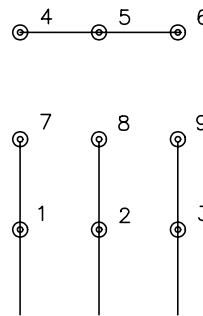
CUST. NAME		CUST. P.O.		CERTIFIED BY		MODEL		INSUL		AMB	
H.P.		MTG		TYPE		R.P.M.		VOLTS		ENCL	
PHASE		FREQ		FRAME							
REV. DESC: CORRECT THE STACKS TO MATCH THE BAND											
REV. LTR: A		BY: OD		REVISED: 07/03/00 2:48				TDR: 0213810			
FILE: AAA00070104				MDL: -							
35LYR148				MTL: -							
BALDOR ELECTRIC Co.											
HORZ 143-5T OPSB 35M (HVAC)											

35LYR148

CD0005

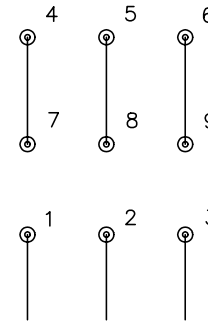


LOW VOLTAGE
(2Y)



LINE

HIGH VOLTAGE
(1Y)



LINE

NOTES:

1. INTERCHANGE ANY TWO LINE LEADS TO REVERSE ROTATION.
2. OPTIONAL THERMOSTATS ARE PROVIDED WHEN SPECIFIED.
3. ACTUAL NUMBER OF INTERNAL PARALLEL CIRCUITS MAY BE A MULTIPLE OF THOSE SHOWN ABOVE.
4. LEAD COLORS ARE OPTIONAL. LEADS MUST ALWAYS BE NUMBERED AS SHOWN.

REV. DESC: REVISE TO SHOW OPTIONAL COLORS			
REV. LTR: E	BY: JLP	REVISED: 01/19/99 10:15	TDR: 0171435
9000D		FILE: AAA00005140	MDL: -
		MTL: -	

BALDOR ELECTRIC Co.

3PH, DV, 9 LEADS

CD0005