



BALDOR® • *RELIANCE*

Product Information Packet

EJMM3611T

3HP,1760RPM,3PH,60HZ,182JM,3628M,TEFC,F1

Product Detail							
Revision:	K	Status:	PRD/A	Change #:		Proprietary:	No
Type:	AC	Prod Type:	3628M	Elec. Spec:	36WGY434	CD Diagram:	CD0005
Enclosure	TEFC	Mfg Plant:		Mech Spec:	36H017	Layout:	36LYH017
Frame:	182JM	Mounting:	F1	Poles:	04	Created Date:	
Base:	RG	Rotation:	R	Insulation:	F	Eff. Date:	04-25-2007
Leads:	9#16	Literature:		Elec. Diagram:		Replaced By:	

Nameplate NP1259L							
CAT.NO.	EJMM3611T						
SPEC.	36H017Y434E7						
HP	3						
VOLTS	208-230/460						
AMP	8.6-8.2/4.1						
RPM	1760						
FRAME	182JM	HZ	60	PH	3		
SER.F.	1.15	CODE	K	DES	B	CL	F
NEMA-NOM-EFF	89.5	PF	77				
RATING	40C AMB-CONT						
CC		USABLE AT 208V	8.6				
DE	6207	ODE	6205				
ENCL	TEFC	SN					

Parts List			
Product ID	Description	Quantity	List Price
SA036122	SA 36H017Y434E7	1.000	483.00
RA032149	RA 36H017Y434E7	1.000	403.00
36CB3004	36 CB CASTING W/1.09 DIA LEAD HOLE @ 6:0	1.000	19.00
36GS1000SP	GASKET-CONDUIT BOX, .06 THICK #SV-330 LE	1.000	5.00
51XB1016A08	10-16X 1/2HXWSSLD SERTYB	2.000	2.00
11XW1032G06	10-32 X .38, TAPTITE II, HEX WSHR SLTD U	1.000	3.00
HW3001A01	D3019 BRASS WASHER(STIMP)	1.000	2.00
36EP3104A04	FR ENDPLATE, MACH	1.000	58.00
HW4500A01	1641B(ALEMITE)400 UNIV, GREASE FITT	1.000	2.00
HW4500A17	317400 ALEMITE GREASE RELIEF	1.000	4.00
HW5100A05	WVY WSHR F/205 & 304 BRGS	1.000	2.00
36EP3405T03	PUEP ENCL 207 BRG T'SLV,GRSR,REL,DRAIN	1.000	98.00
HW4500A01	1641B(ALEMITE)400 UNIV, GREASE FITT	1.000	2.00
HW4500A17	317400 ALEMITE GREASE RELIEF	1.000	4.00
10XN2520A24	1/4-20X 1 1/2 HEX HD X	4.000	2.00
HW1001A25	LOCKWASHER 1/4, ZINC PLT .493 OD, .255 I	4.000	2.00
51XB1214A16	12-14X1.00 HXWSSLD SERTYB	1.000	2.00
36FH4009A103	IEC FH GREASER W/AUTOPHERETIC PRIMER	1.000	15.00
51XW1032A06	10-32 X .38, TAPTITE II, HEX WSHR SLTD S	3.000	3.00
36CB4516	36 LIPPED CB LID	1.000	2.00
37GS1001SP	GASKET, CONDUIT BOX LID, .06 THICK LEXID	1.000	3.00
51XW0832A07	8-32 X .44, TAPTITE II, HEX WSHR SLTD SE	4.000	2.00
HA1005A07SP	37-1412 SLINGER, 1.344 I.D., 2.25 O.D.	1.000	3.00
HW2501D13SP	KEY, 3/16 SQ X 1.375	1.000	2.00

Parts List (continued)			
Product ID	Description	Quantity	List Price
HA7000A01	KEY RETAINER 7/8" DIA SHAFT	1.000	2.00
10XF0440S02	04-40 X 1/8 TYPE F HEX HD STAINLESS STIC	2.000	2.00
MJ1000A02	GREASE, POLYREX EM EXXON	0.050	10.00
36FN3000A01SP	FAN EXTERNAL,PLASTIC, 7.00 OD, .912/.907	1.000	23.00
S/P107-000-001	SUPER E PROC'S-FS & WS PLTS-POLYREX EM G	1.000	
HA3101A25	THRUBOLT 1/4-20 X 11.000 OHIO ROD	4.000	2.00
MG1000Y03	WILCO 149-708 GOLD PAINT SUPER E	0.022	263.00
LB1125C02	SUPER-E (STOCK CTN LABEL SUPER-E WITH FL	1.000	2.00
LC0005E01	CONN.DIA./WARNING LABEL (LC0005/LB1119)	1.000	2.00
NP1259L	STD LASER ENGRAVED, SUPER E,UL CSA CC, W	1.000	
36PA1001	PACKAGING GROUP	1.000	25.00
LB1357	ENERGY GUIDE LABEL (BOX LABEL)	1.000	2.00

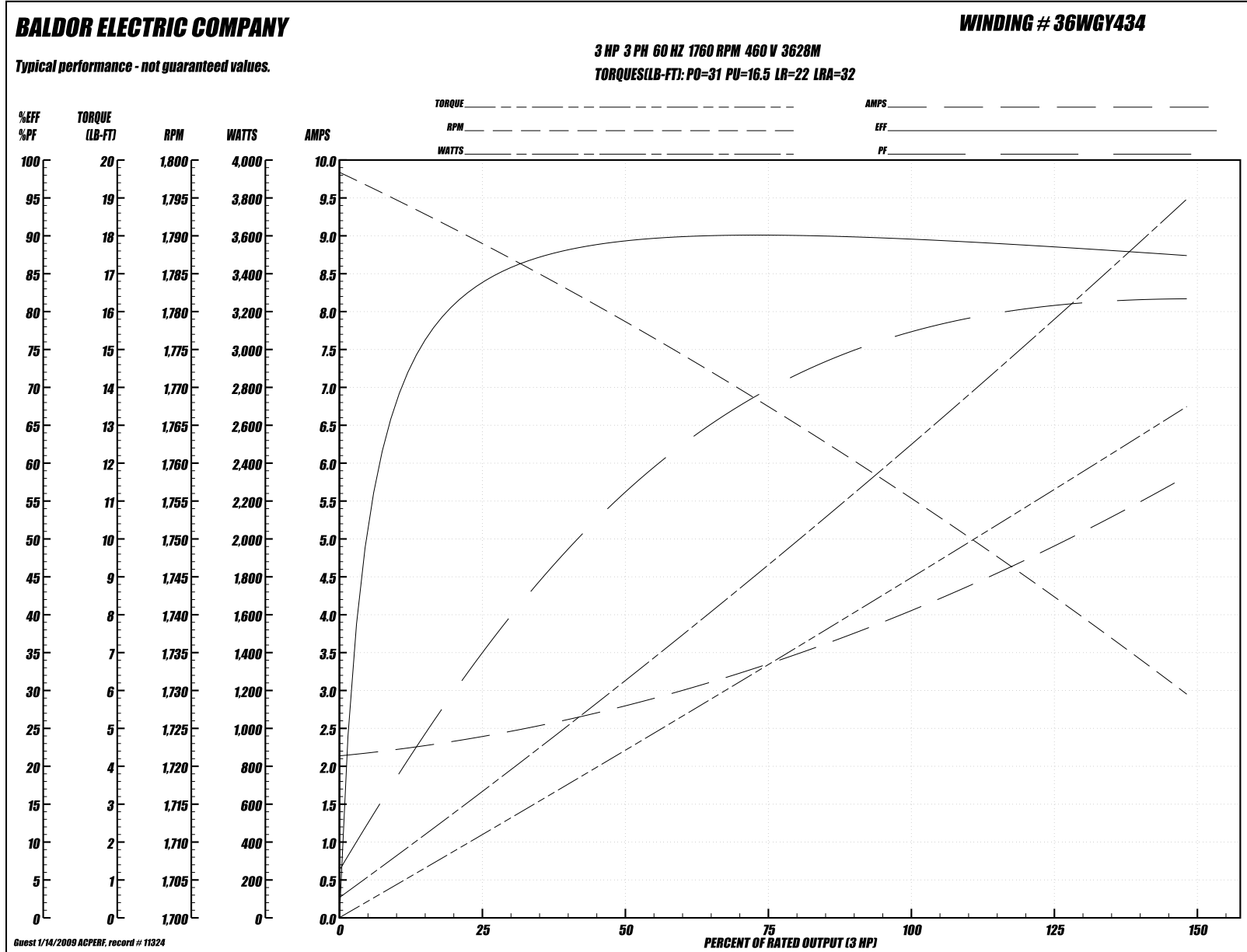
Performance Data at 460V, 60Hz, 3.0HP (Typical performance - Not guaranteed values)
General Characteristics

Full Load Torque:	9.0 LB-FT	Start Configuration:	DOL
No-Load Current:	2.2 Amps	Break-Down Torque:	31.0 LB-FT
Line-line Res. @ 25°C.:	3.84 Ohms A Ph / 0.0 Ohms B Ph	Pull-Up Torque:	16.5 LB-FT
Temp. Rise @ Rated Load:	41°C	Locked-Rotor Torque:	22.0 LB-FT
Temp. Rise @ S.F. Load:	50°C	Starting Current:	32.0 Amps

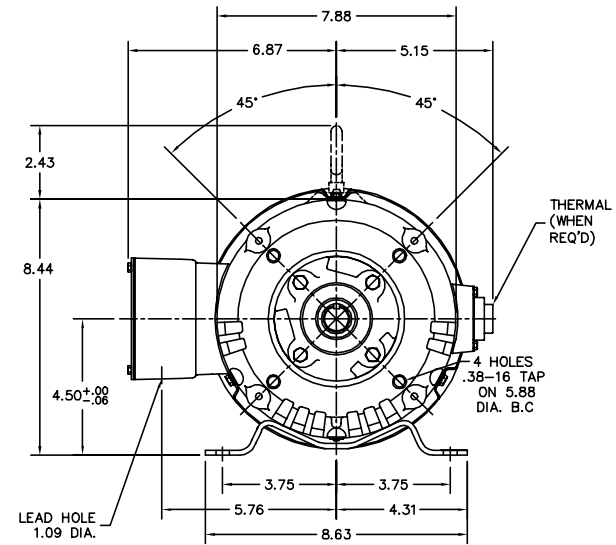
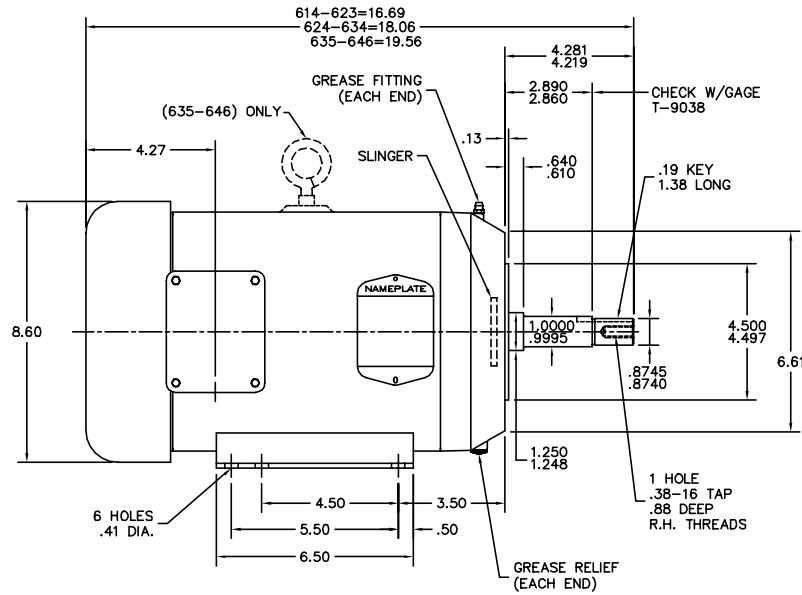
Load Characteristics

% of Rated Load:	25	50	75	100	125	150	S.F.
Power Factor:	37.0	58.0	71.0	77.0	81.0	83.0	79.0
Efficiency:	84.0	89.1	90.0	89.7	88.7	87.3	89.1
Speed:	1788.0	1778.0	1767.0	1756.0	1743.0	1729.0	1748.0
Line Amperes:	2.3	2.8	3.4	4.1	4.9	5.8	4.6

Performance Graph at 460V, 60Hz, 3.0HP (Typical performance - Not guaranteed values)



36LYH017



CUSTOMER IS RESPONSIBLE FOR DETERMINING THAT MOTOR PERFORMANCE IS SUITABLE IN THE APPLICATION.

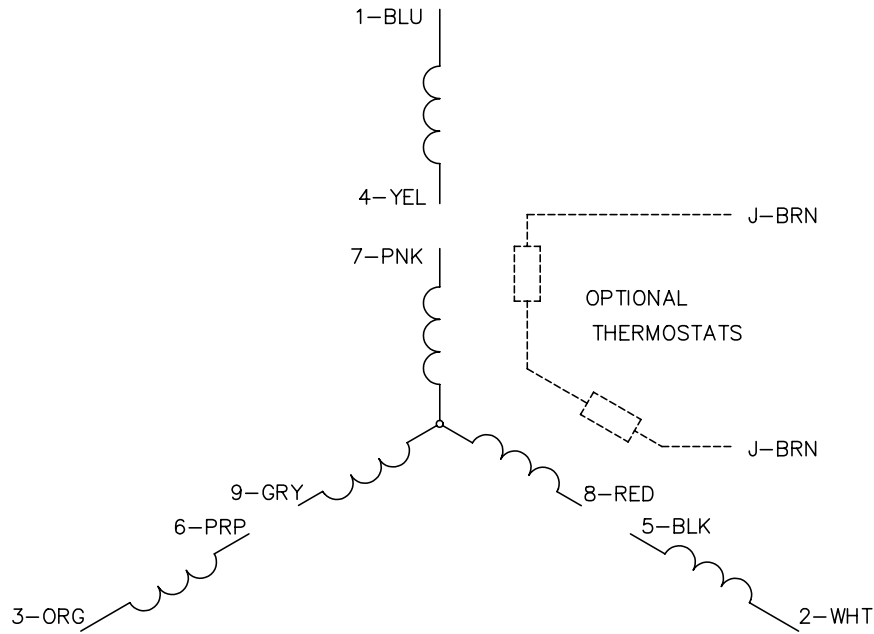
REV. DESC: ADDED KOBX LEAD HOLE DIM			
REV. LTR: M	BY: RMP	REVISED: 07:25:39 09/09/2004	TDR: 342770
FILE: AAA00004174		REF: 36LYH017	
MTL: -			

BALDOR ELECTRIC Co.

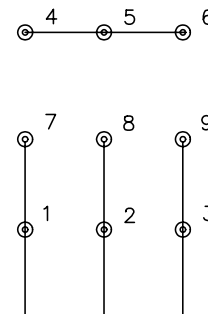
STD HORZ 182-4JM TEFC 36M

36LYH017

CD0005

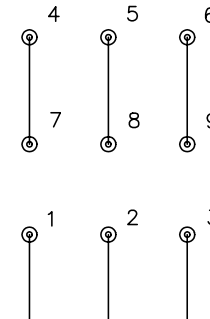


LOW VOLTAGE
(2Y)



LINE

HIGH VOLTAGE
(1Y)



LINE

NOTES:

1. INTERCHANGE ANY TWO LINE LEADS TO REVERSE ROTATION.
2. OPTIONAL THERMOSTATS ARE PROVIDED WHEN SPECIFIED.
3. ACTUAL NUMBER OF INTERNAL PARALLEL CIRCUITS MAY BE A MULTIPLE OF THOSE SHOWN ABOVE.
4. LEAD COLORS ARE OPTIONAL. LEADS MUST ALWAYS BE NUMBERED AS SHOWN.

REV. DESC: REVISE TO SHOW OPTIONAL COLORS			
REV. LTR: E	BY: JLP	REVISED: 01/19/99 10:15	TDR: 0171435
900000		FILE: AAA00005140	MDL: -
		MTL: -	

BALDOR ELECTRIC Co.

3PH, DV, 9 LEADS

CD0005