



BALDOR® • *RELIANCE*

Product Information Packet

EL3501

.33HP,1740RPM,1PH,60HZ,56,3418LC,TEFC,F1

Product Detail									
Revision:	W	Status:	PRD/A	Change #:		Proprietary:	No		
Type:	AC	Prod Type:	3418LC	Elec. Spec:	34WGX028	CD Diagram:	CD0055		
Enclosure	TEFC	Mfg Plant:		Mech Spec:	34G375	Layout:	34LYG375		
Frame:	56	Mounting:	F1	Poles:	04	Created Date:			
Base:	RG	Rotation:	R	Insulation:	F	Eff. Date:	04-30-2007		
Leads:	6#18	Literature:		Elec. Diagram:		Replaced By:			
Nameplate NP2031L									
CAT.NO.	EL3501								
SPEC.	34G375X28G1								
HP	.33								
VOLTS	115/230								
AMP	3.2/1.6								
RPM	1740								
FRAME	56	HZ			60	PH	1		
SER.F.	1.35	CODE			J	DES	-	CL	F
NEMA-NOM-EFF	77	PF			88				
RATING	40C AMB-CONT								
CC				USABLE AT 208V					
DE	6203	ODE			6203				
ENCL	TEFC	SN							
	SFA 4.2/2.1								

Parts List			
Product ID	Description	Quantity	List Price
SA006944	SA 34G375X28G1	1.000	214.00
RA003391	RA 34G375X28G1	1.000	179.00
OC3016F12SP	CYL OIL CAP 16MFD/370V	1.000	25.00
EC1145A02	ELEC CAP 115V 1.4 X 3.3 X	1.000	13.00
NS2512A01	INSULATOR, CONDUIT BOX X X	1.000	2.00
34CB3002A	CB CAST W/.88 DIA HOLE	1.000	13.00
34GS1029A01	GASKET, CONDUIT BOX	1.000	2.00
51XB1016A07	10-16 X 7/16 HXWSSLD SERTYB	2.000	2.00
11XW1032G06	10-32 X .38, TAPTITE II, HEX WSHR SLTD U	1.000	3.00
51XW0832A07	8-32 X .44, TAPTITE II, HEX WSHR SLTD SE	3.000	2.00
34EP3102A01SP	FR ENDPLATE, MACH	1.000	68.00
34CB3801	CAPACITOR BOX, DIE CAST	1.000	16.00
34GS3002	GASKET, CAPACITOR BOX	1.000	2.00
51XB1214A08	12-14 X 1/2HX WS SL SR TYBX	2.000	2.00
HW5100A03SP	WAVY WASHER (W1543-017)	1.000	2.00
34EP3102A02SP	FR/PU ENDPLATE, MACH	1.000	24.00
XY1032A02	10-32 HEX NUT DIRECTIONAL SERRATION	4.000	2.00
34FN3002A01SP	EXTERNAL FAN, PLASTIC, .637/.639 HUB W/	1.000	14.00
34FH4002A01SP	IEC FH NO GREASER	1.000	23.00
51XW1032A06	10-32 X .38, TAPTITE II, HEX WSHR SLTD S	3.000	3.00
34CB4517	CB LID 4 MTG HOLES .22 DIA STAMPED, FOR	1.000	5.00
34GS1031A01	GASKET, FLAT CONDUIT BOX LID (LEXIDE)	1.000	2.00
51XW0832A07	8-32 X .44, TAPTITE II, HEX WSHR SLTD SE	4.000	2.00
HW2501D13SP	KEY, 3/16 SQ X 1.375	1.000	2.00

Parts List (continued)			
Product ID	Description	Quantity	List Price
HA7000A04	KEY RETAINER 0.625 DIA SHAFTS	1.000	2.00
34GS5003A01	FOAM SLEEVE, ID = 2 1/16" X 4 3/8"	1.000	2.00
10XF0440S02	04-40 X 1/8 TYPE F HEX HD STAINLESS STIC	2.000	2.00
SP5056A18	MODEL 34 TYPE LC STATIONARY SWITCH WITH	1.000	27.00
HA3100A44	THRUBOLT 10-32 X 8.000	4.000	2.00
MG1000Y03	WILCO 149-708 GOLD PAINT SUPER E	0.014	263.00
LB5040	INSTRUCTION TAG, AC & DC	1.000	2.00
LB1125C02	SUPER-E (STOCK CTN LABEL SUPER-E WITH FL	1.000	2.00
LC0001A01	CONN LABEL / WARNING LABEL (LC0001 / LB1	1.000	2.00
NP2031L	NP LASER ENGRAVED SUPER-E, UL CSA CC, SS	1.000	
34PA1005	PACKING GROUP, BALDOR	1.000	10.00

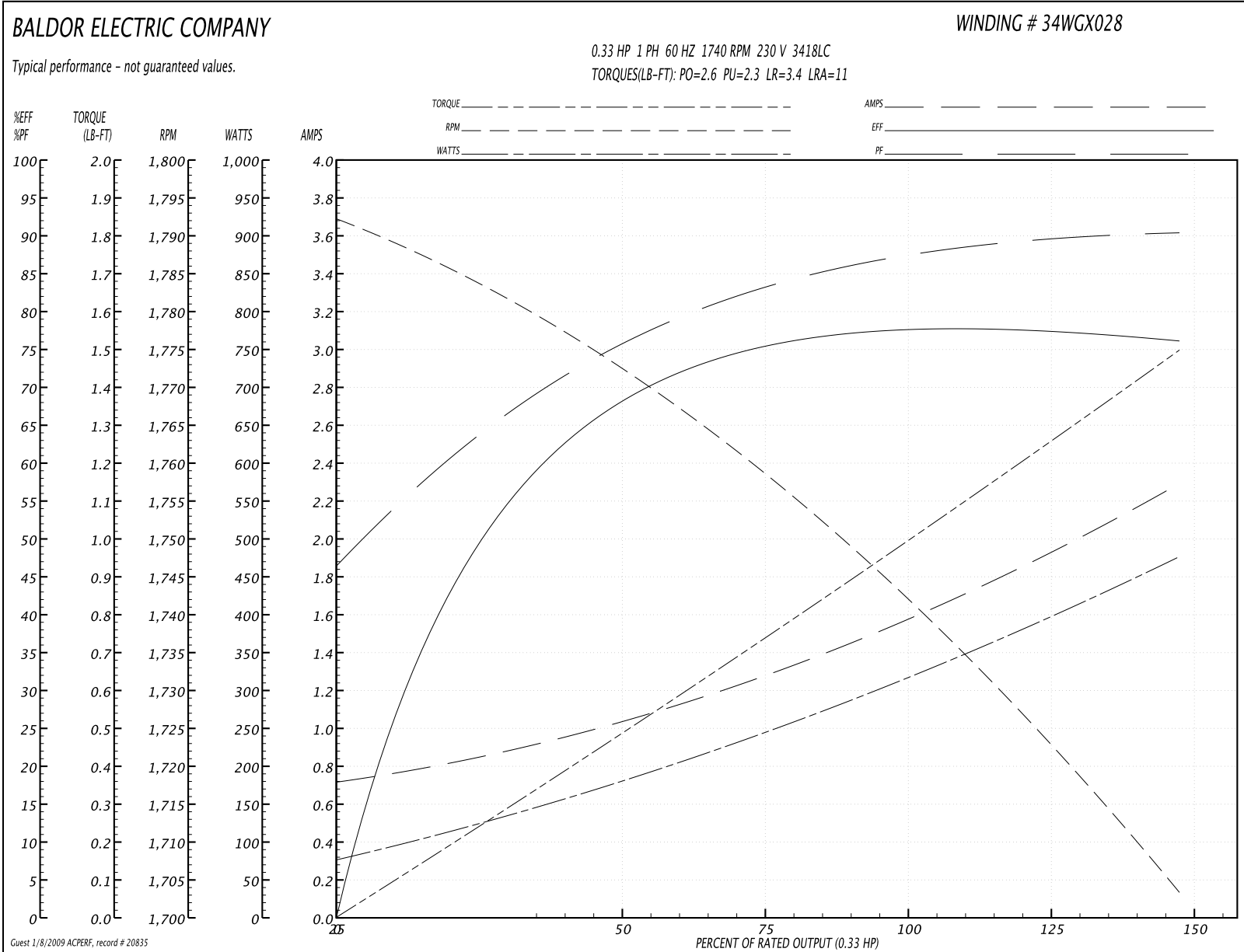
Performance Data at 230V, 60Hz, 0.33HP (Typical performance - Not guaranteed values)
General Characteristics

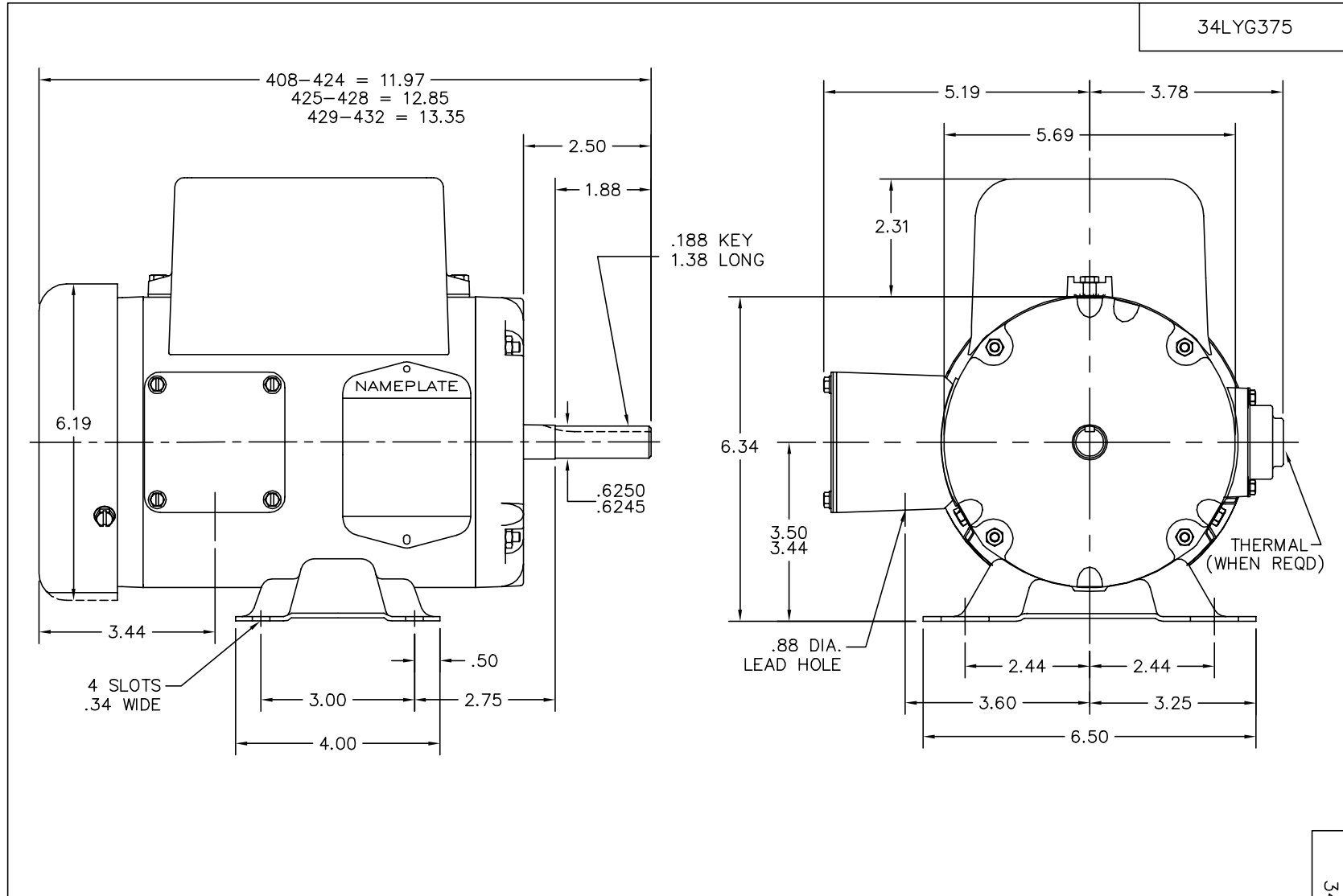
Full Load Torque:	1.0 LB-FT	Start Configuration:	DOL
No-Load Current:	0.7 Amps	Break-Down Torque:	2.6 LB-FT
Line-line Res. @ 25°C.:	7.34 Ohms A Ph / 5.89 Ohms B Ph	Pull-Up Torque:	2.3 LB-FT
Temp. Rise @ Rated Load:	31°C	Locked-Rotor Torque:	3.4 LB-FT
Temp. Rise @ S.F. Load:	37°C	Starting Current:	11.0 Amps

Load Characteristics

% of Rated Load:	25	50	75	100	125	150	S.F.
Power Factor:	60.0	80.0	83.0	87.0	90.0	90.0	91.0
Efficiency:	50.6	68.6	75.5	77.3	77.7	76.1	77.9
Speed:	1782.0	1772.0	1759.0	1741.0	1724.0	1703.0	1717.0
Line Amperes:	0.9	1.0	1.3	1.6	1.9	2.3	2.1

Performance Graph at 230V, 60Hz, 0.33HP (Typical performance - Not guaranteed values)





CUSTOMER IS RESPONSIBLE FOR DETERMINING THAT MOTOR PERFORMANCE IS SUITABLE IN THE APPLICATION.

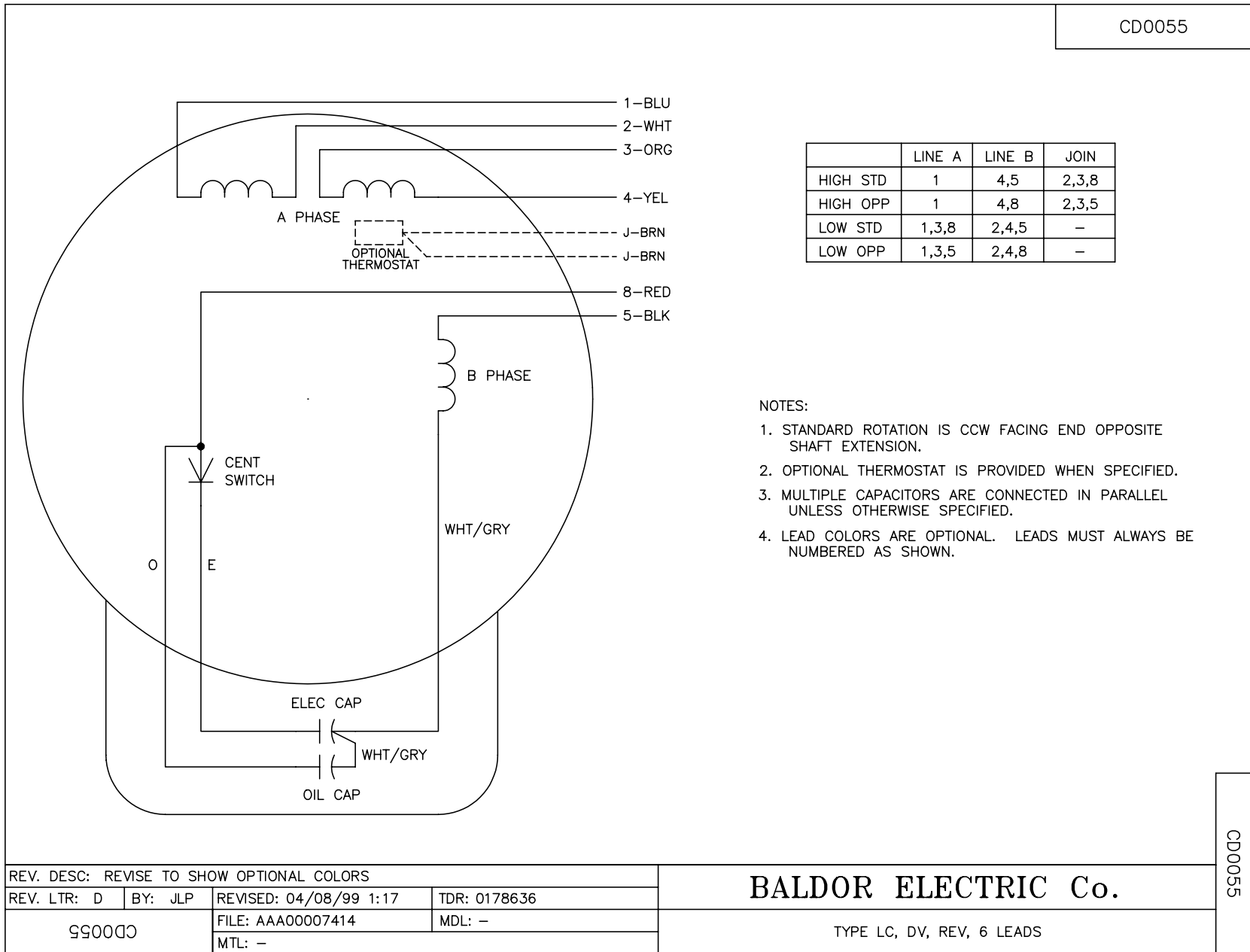
REV. DESC: UPDATE GRAPHIC TO MATCH WITH BOM		
REV. LTR: B	VERSION: 01	TDR: 000000410278
34YG375	FILE: \AAA\00038\540	REVISED: 07:05:10 10/06/2006
	MTL: -	BY: ENRSTO

BALDOR ELECTRIC Co.

HORZ 34LC NEMA 56 TEFC

34LYG375

CD0055



REV. DESC: REVISE TO SHOW OPTIONAL COLORS			
REV. LTR: D	BY: JLP	REVISED: 04/08/99 1:17	TDR: 0178636
99000		FILE: AAA00007414	MDL: -
		MTL: -	

BALDOR ELECTRIC Co.

TYPE LC, DV, REV, 6 LEADS

CD0055