



# **BALDOR® • *RELIANCE***

## **Product Information Packet**

### **EL3504**

**.5HP,1745RPM,1PH,60HZ,56,3424LC,TEFC,F1**

Product Detail									
Revision:	V	Status:	PRD/A	Change #:		Proprietary:	No		
Type:	AC	Prod Type:	3424LC	Elec. Spec:	34WGX029	CD Diagram:	CD0055		
Enclosure	TEFC	Mfg Plant:		Mech Spec:	34G375	Layout:	34LYG375		
Frame:	56	Mounting:	F1	Poles:	04	Created Date:			
Base:	RG	Rotation:	R	Insulation:	F	Eff. Date:	04-30-2007		
Leads:	6#18	Literature:		Elec. Diagram:		Replaced By:			
Nameplate NP2031L									
CAT.NO.	EL3504								
SPEC.	34G375X29G1								
HP	.5								
VOLTS	115/230								
AMP	4.6/2.3								
RPM	1745								
FRAME	56	HZ	60			PH	1		
SER.F.	1.25	CODE	K			DES	N	CL	F
NEMA-NOM-EFF	78.5	PF	89						
RATING	40C AMB-CONT								
CC				USABLE AT 208V					
DE	6203	ODE	6203						
ENCL	TEFC	SN							
	SFA 5.6/2.8								

<b>Parts List</b>			
<b>Product ID</b>	<b>Description</b>	<b>Quantity</b>	<b>List Price</b>
SA006945	SA 34G375X29G1	1.000	253.00
RA003392	RA 34G375X29G1	1.000	211.00
OC3020F12SP	CYL OIL CAP 20MFD/370V	1.000	24.00
EC1270A02SP	ELEC CAP, 270-324 MFD, 125V, 1.48D X 3.	1.000	15.00
NS2512A01	INSULATOR, CONDUIT BOX X X	1.000	2.00
34CB3002A	CB CAST W/.88 DIA HOLE	1.000	13.00
34GS1029A01	GASKET, CONDUIT BOX	1.000	2.00
51XB1016A07	10-16 X 7/16 HXWSSLD SERTYB	2.000	2.00
11XW1032G06	10-32 X .38, TAPTITE II, HEX WSHR SLTD U	1.000	3.00
51XW0832A07	8-32 X .44, TAPTITE II, HEX WSHR SLTD SE	3.000	2.00
34EP3102A01SP	FR ENDPLATE, MACH	1.000	68.00
34CB3801	CAPACITOR BOX, DIE CAST	1.000	16.00
34GS3002	GASKET, CAPACITOR BOX	1.000	2.00
51XB1214A08	12-14 X 1/2HX WS SL SR TYBX	2.000	2.00
HW5100A03SP	WAVY WASHER (W1543-017)	1.000	2.00
34EP3102A02SP	FR/PU ENDPLATE, MACH	1.000	24.00
XY1032A02	10-32 HEX NUT DIRECTIONAL SERRATION	4.000	2.00
34FN3002A01SP	EXTERNAL FAN, PLASTIC, .637/.639 HUB W/	1.000	14.00
34FH4002A01SP	IEC FH NO GREASER	1.000	23.00
51XW1032A06	10-32 X .38, TAPTITE II, HEX WSHR SLTD S	3.000	3.00
34CB4517	CB LID 4 MTG HOLES .22 DIA STAMPED, FOR	1.000	5.00
34GS1031A01	GASKET, FLAT CONDUIT BOX LID (LEXIDE)	1.000	2.00
51XW0832A07	8-32 X .44, TAPTITE II, HEX WSHR SLTD SE	4.000	2.00
HW2501D13SP	KEY, 3/16 SQ X 1.375	1.000	2.00

<b>Parts List (continued)</b>			
<b>Product ID</b>	<b>Description</b>	<b>Quantity</b>	<b>List Price</b>
HA7000A04	KEY RETAINER 0.625 DIA SHAFTS	1.000	2.00
34GS5003A01	FOAM SLEEVE, ID = 2 1/16" X 4 3/8"	1.000	2.00
10XF0440S02	04-40 X 1/8 TYPE F HEX HD STAINLESS STIC	2.000	2.00
SP5056A18	MODEL 34 TYPE LC STATIONARY SWITCH WITH	1.000	27.00
HA3100A44	THRUBOLT 10-32 X 8.000	4.000	2.00
MG1000Y03	WILCO 149-708 GOLD PAINT SUPER E	0.014	263.00
LB5040	INSTRUCTION TAG, AC & DC	1.000	2.00
LB1125C02	SUPER-E (STOCK CTN LABEL SUPER-E WITH FL	1.000	2.00
LC0001A01	CONN LABEL / WARNING LABEL (LC0001 / LB1	1.000	2.00
NP2031L	NP LASER ENGRAVED SUPER-E, UL CSA CC, SS	1.000	
34PA1005	PACKING GROUP, BALDOR	1.000	10.00

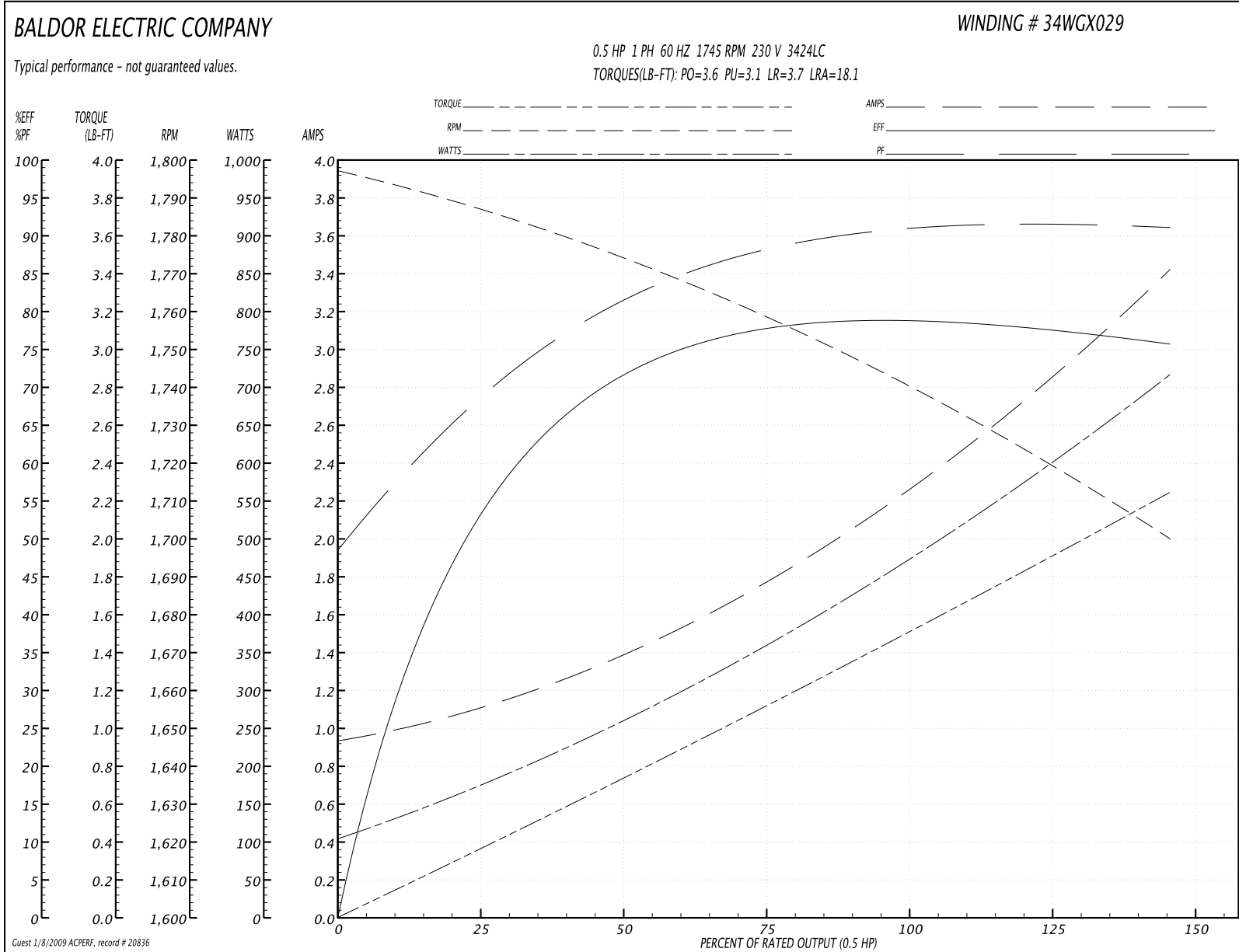
**Performance Data at 230V, 60Hz, 0.5HP (Typical performance - Not guaranteed values)**
**General Characteristics**

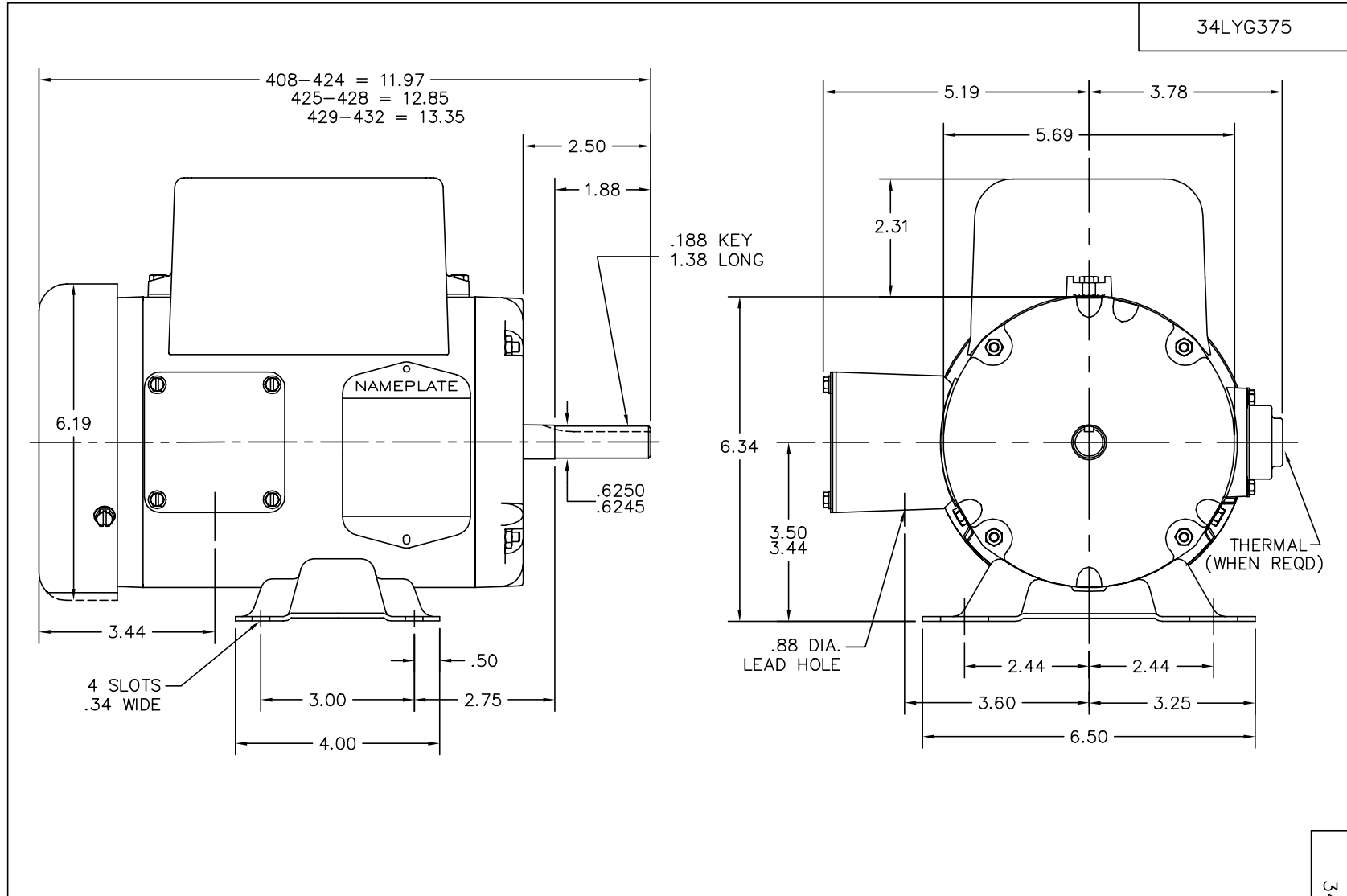
<b>Full Load Torque:</b>	1.5 LB-FT	<b>Start Configuration:</b>	DOL
<b>No-Load Current:</b>	1.0 Amps	<b>Break-Down Torque:</b>	3.6 LB-FT
<b>Line-line Res. @ 25°C.:</b>	5.16 Ohms A Ph / 4.01 Ohms B Ph	<b>Pull-Up Torque:</b>	3.1 LB-FT
<b>Temp. Rise @ Rated Load:</b>	57°C	<b>Locked-Rotor Torque:</b>	3.7 LB-FT
<b>Temp. Rise @ S.F. Load:</b>	71°C	<b>Starting Current:</b>	18.1 Amps

**Load Characteristics**

<b>% of Rated Load:</b>	<b>25</b>	<b>50</b>	<b>75</b>	<b>100</b>	<b>125</b>	<b>150</b>	<b>S.F.</b>
<b>Power Factor:</b>	64.0	79.0	87.0	90.0	92.0	93.0	92.0
<b>Efficiency:</b>	56.9	72.4	76.5	78.4	77.8	75.8	77.8
<b>Speed:</b>	1786.0	1773.0	1758.0	1742.0	1722.0	1699.0	1722.0
<b>Line Amperes:</b>	1.0	1.4	1.8	2.3	2.8	3.4	2.8

Performance Graph at 230V, 60Hz, 0.5HP (Typical performance - Not guaranteed values)





CUSTOMER IS RESPONSIBLE FOR DETERMINING THAT MOTOR PERFORMANCE IS SUITABLE IN THE APPLICATION.

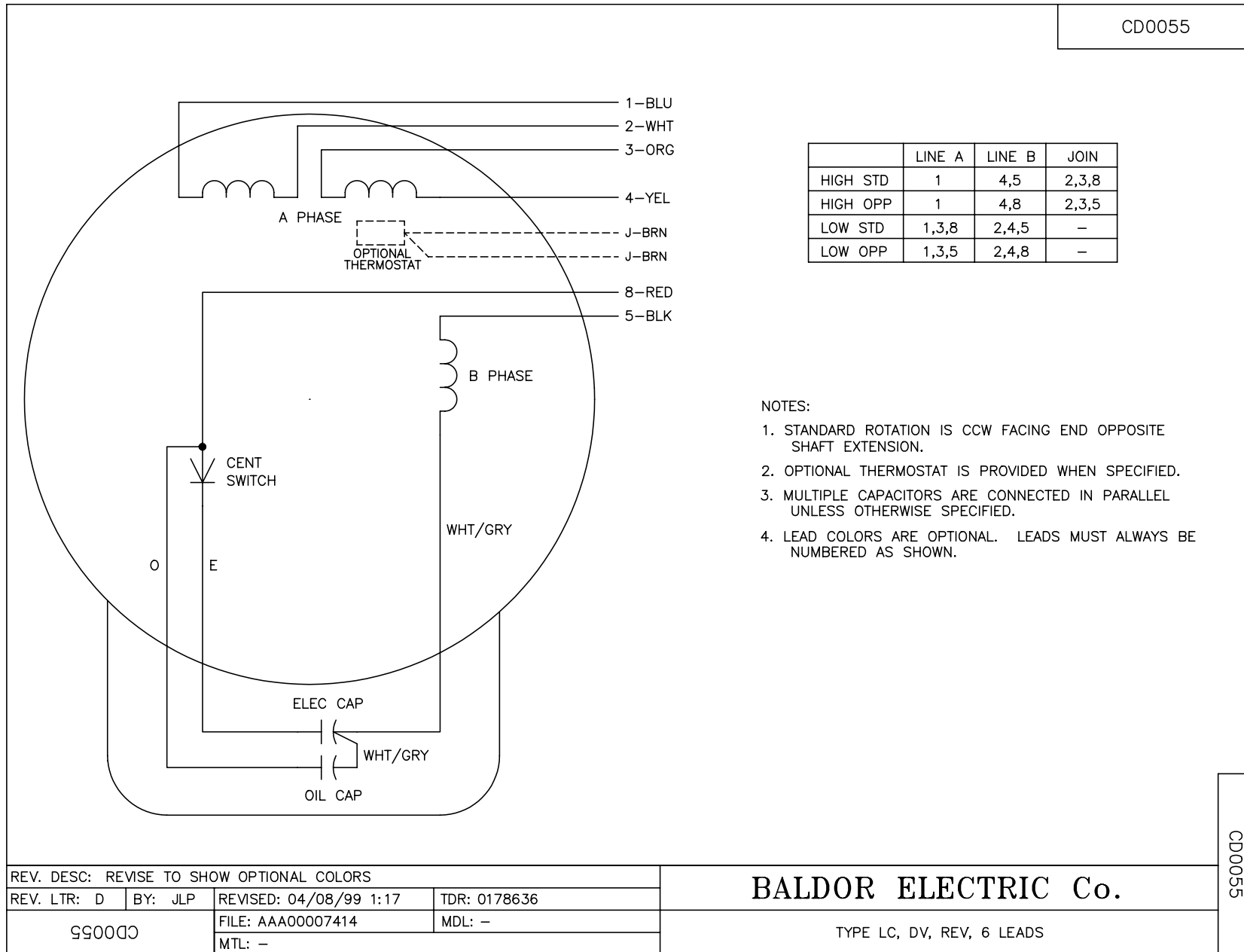
REV. DESC: UPDATE GRAPHIC TO MATCH WITH BOM		
REV. LTR: B	VERSION: 01	TDR: 000000410278
34YG375	FILE: \AAA\00038\540	REVISED: 07:05:10 10/06/2006
	MTL: -	BY: ENRSTO

**BALDOR ELECTRIC Co.**

HORZ 34LC NEMA 56 TEFC

34LYG375

CD0055



NOTES:

1. STANDARD ROTATION IS CCW FACING END OPPOSITE SHAFT EXTENSION.
2. OPTIONAL THERMOSTAT IS PROVIDED WHEN SPECIFIED.
3. MULTIPLE CAPACITORS ARE CONNECTED IN PARALLEL UNLESS OTHERWISE SPECIFIED.
4. LEAD COLORS ARE OPTIONAL. LEADS MUST ALWAYS BE NUMBERED AS SHOWN.

REV. DESC: REVISE TO SHOW OPTIONAL COLORS			
REV. LTR: D	BY: JLP	REVISED: 04/08/99 1:17	TDR: 0178636
990055		FILE: AAA00007414	MDL: -
		MTL: -	

**BALDOR ELECTRIC Co.**

TYPE LC, DV, REV, 6 LEADS

CD0055