



BALDOR® • *RELIANCE*

Product Information Packet

FM2531T

25HP,1760RPM,3PH,60HZ,284T,3942M,OPSB,F2

Product Detail							
Revision:	L	Status:	PRD/A	Change #:		Proprietary:	No
Type:	AC	Prod Type:	3942M	Elec. Spec:	39WGW918	CD Diagram:	CD0005
Enclosure	OPSB	Mfg Plant:		Mech Spec:	39L56	Layout:	39LYL056
Frame:	284T	Mounting:	F2	Poles:	04	Created Date:	
Base:	RG	Rotation:	R	Insulation:	B	Eff. Date:	03-03-2008
Leads:	9#10	Literature:		Elec. Diagram:		Replaced By:	

Nameplate NP1256L									
CAT.NO.	FM2531T								
SPEC.	39L056W918H1								
HP	25								
VOLTS	230/460								
AMP	62/31								
RPM	1760								
FRAME	284T	HZ			60	PH	3		
SER.F.	1.15	CODE			G	DES	B	CLASS	B
NEMA-NOM-EFF	91.7	PF			83				
RATING	40C AMB-CONT								
CC	010A	USABLE AT 208V			66				
DE	6311	ODE			6208				
ENCL	OPSB	SN							

Parts List			
Product ID	Description	Quantity	List Price
SA040425	SA 39L056W918H1	1.000	1,232.00
RA036312	RA 39L056W918H1	1.000	1,027.00
S/P101-000-003	EPACT PROC-ZK 280FR & UP,LARGE KOBX,POLY	1.000	
HA6361A01	LIFTING LUG FOR 37, 39 & 40 FRAME (AUTOP	2.000	3.00
09CB2800A03	ADAPTER MACH FOR 10CB3000	1.000	26.00
84XN3118J12	5/16-18 X 3/4 SOC HD CAP SCREW,BLK OXIDE	2.000	3.00
HW1001A31	LOCKWASHER 5/16, ZINC PLT.591 OD, .319 I	2.000	3.00
10CB3000SP	STD KO BOX MODEL 310,312,314 MTRS W/2.00	1.000	42.00
19XW3118A12	.31-18 HEX WASHER HEAD TAPTITE II	4.000	3.00
HW1001A31	LOCKWASHER 5/16, ZINC PLT.591 OD, .319 I	4.000	3.00
WD1000B16	KPA-4C BURNDY TERMINAL	1.000	5.00
51XF2520A08	SCREW, HEX SER SLT HD, ZN 1/4-20 X .50 L	1.000	3.00
39EP3200A01SP	FR/PU ENDPLATE, MACH	1.000	133.00
HA4051A00	PLASTIC CAP FOR GREASE FITTING	1.000	3.00
HW5100A08	W3118-035 WVY WSHR (WB)	1.000	3.00
39EP3202A01	ENDPLATE MACH	1.000	121.00
HA4051A00	PLASTIC CAP FOR GREASE FITTING	1.000	3.00
XY3816A12	3/8-16 FINISHED NUT	8.000	2.00
10CB3500SP	CONDUIT BOX LID, CAST	1.000	37.00
51XW2520A12	.25-20 X .75, TAPTITE II, HEX WSHR SLTD	4.000	3.00
HW2501H28	KEY, 1/2 SQ X 3.250	1.000	3.00
LB1115	LABEL,LIFTING DEVICE (ON ROLLS0	1.000	3.00
HW4500A03	GREASE FITTING, .125 NPT 1610(ALEMITE) 8	1.000	3.00
HW4500A20	1/8NPT SL PIPE PLUG	1.000	3.00

Parts List (continued)			
Product ID	Description	Quantity	List Price
MJ1000A02	GREASE, POLYREX EM EXXON	0.030	12.00
HW4500A03	GREASE FITTING, .125 NPT 1610(ALEMITE) 8	1.000	3.00
HW4500A20	1/8NPT SL PIPE PLUG	1.000	3.00
MG1000G27	PAINT- S9282E CHARCOAL GREY	0.050	4,000.00
85XU0407A04	#4-7 X 1/4 DRIVE PIN	2.000	3.00
39AD2002A01	BAFFLE PLATE 39 OPEN, SLOTTED BAND MTRS	2.000	16.00
HA3159A07	THRUBOLT .38-16 X 17.75LGSTUD	4.000	8.00
LB1125C04	STD-E (STOCK CTN LABEL STD-E WITH FLAG)	4.000	3.00
LC0005E01	CONN.DIA./WARNING LABEL (LC0005/LB1119)	1.000	3.00
NP1256L	NP STD LASER ENGRAVED, UL CSA CC, W/O TH	1.000	4.00
40PA1000	PACKAGING GROUP	1.000	80.00
LB5040	INSTRUCTION TAG, AC & DC	1.000	3.00

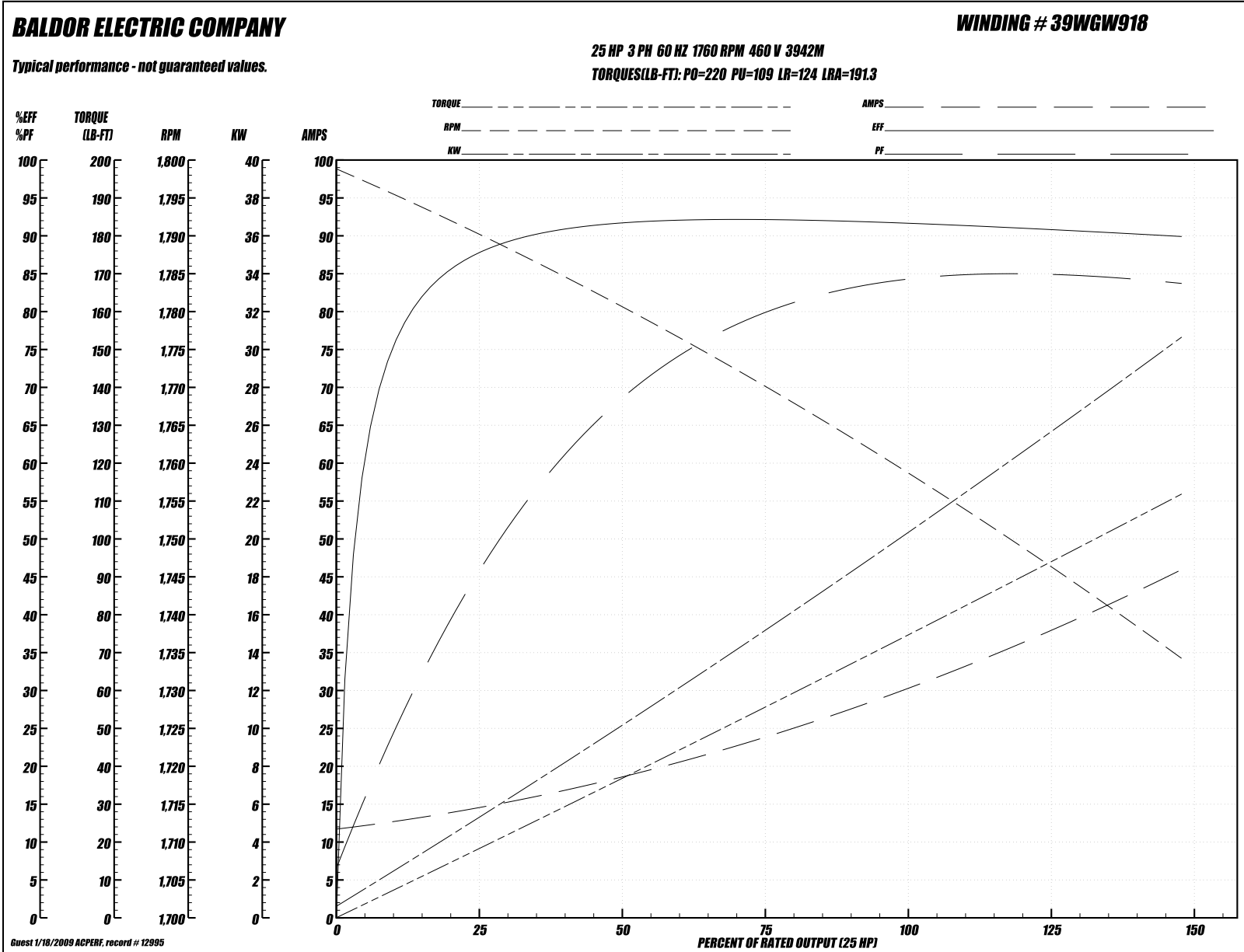
Performance Data at 460V, 60Hz, 25.0HP (Typical performance - Not guaranteed values)
General Characteristics

Full Load Torque:	74.6 LB-FT	Start Configuration:	DOL
No-Load Current:	12.11 Amps	Break-Down Torque:	220.0 LB-FT
Line-line Res. @ 25°C.:	0.398 Ohms A Ph / 0.0 Ohms B Ph	Pull-Up Torque:	109.0 LB-FT
Temp. Rise @ Rated Load:	42°C	Locked-Rotor Torque:	124.0 LB-FT
Temp. Rise @ S.F. Load:	56°C	Starting Current:	191.3 Amps

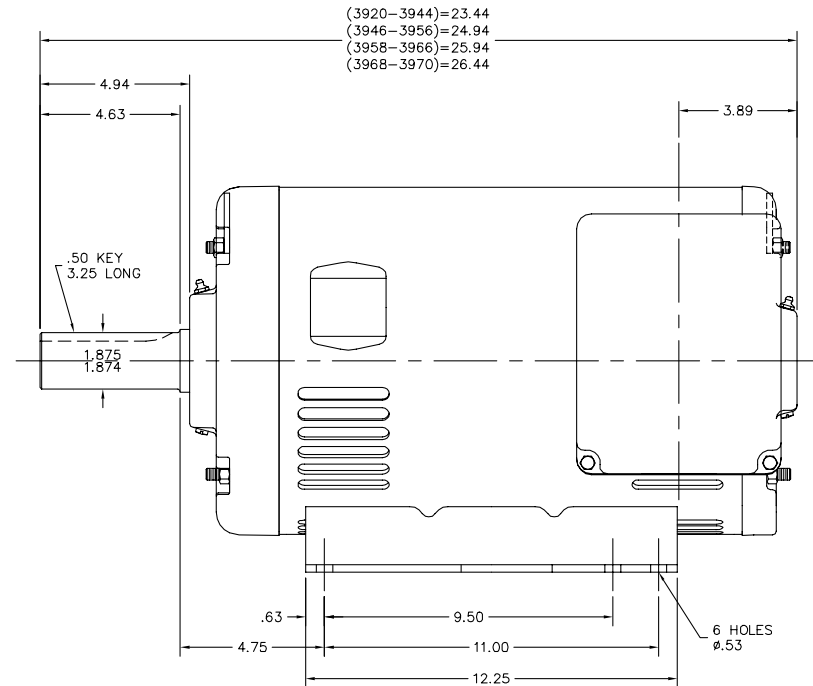
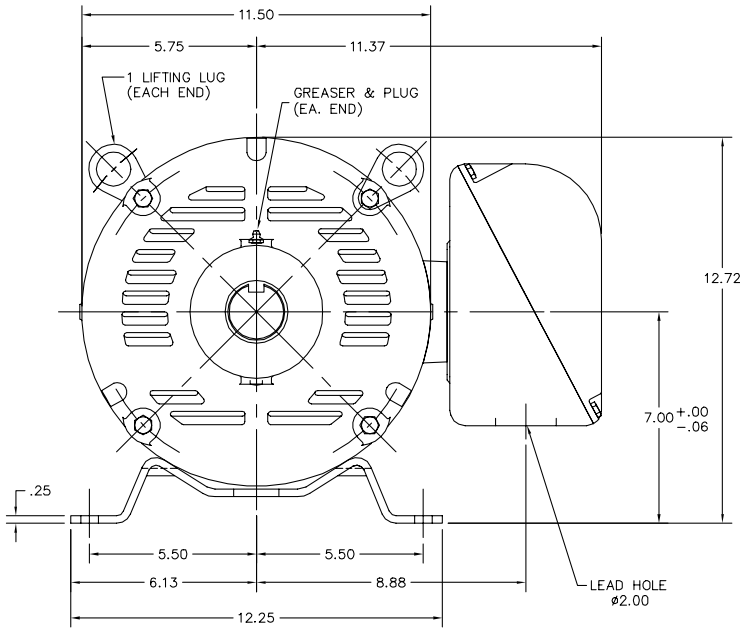
Load Characteristics

% of Rated Load:	25	50	75	100	125	150	S.F.
Power Factor:	48.0	69.0	79.0	83.0	85.0	86.0	84.0
Efficiency:	87.4	91.5	92.1	91.8	91.0	89.8	91.3
Speed:	1790.0	1780.0	1770.0	1759.0	1747.0	1734.0	1752.0
Line Amperes:	14.07	18.47	24.1	30.6	37.8	45.7	34.9

Performance Graph at 460V, 60Hz, 25.0HP (Typical performance - Not guaranteed values)



39LYL056



CUSTOMER IS RESPONSIBLE FOR DETERMINING THAT MOTOR PERFORMANCE IS SUITABLE IN THE APPLICATION.

REV. DESC: UPDATE DESC.	VERSION: 02	TDR: 000000475357
REV. LTR: C	REVISED: 10:45:00 08/29/2008	BY: ENKENTO
FILE: \AAA\00012\520		
MTL: -		

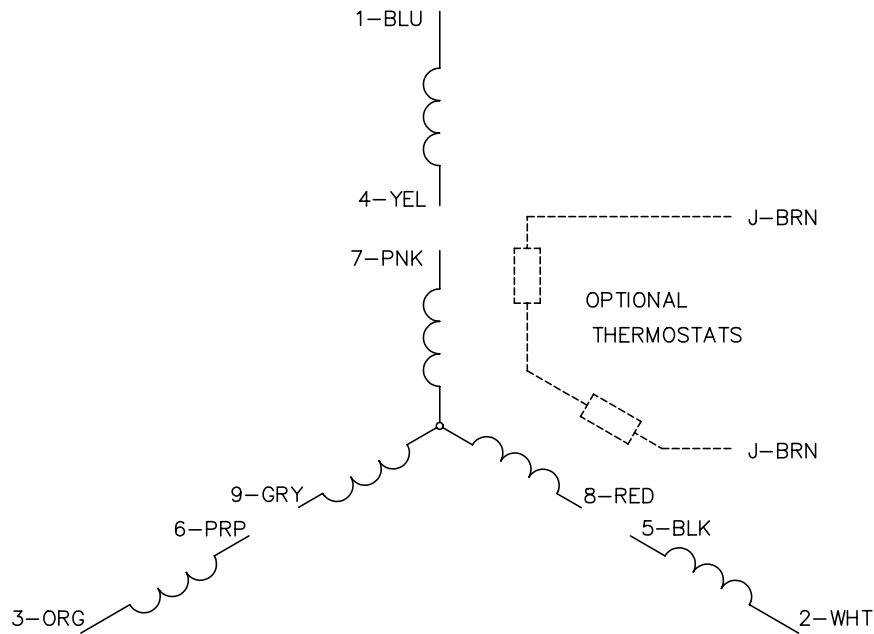
BALDOR • DODGE • RELIANCE

STD HOR OPSB 284-6T F2

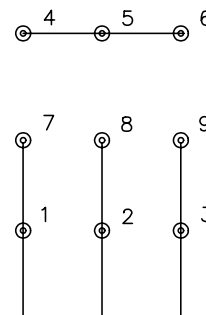
SH 1 of 1

39LYL056

CD0005

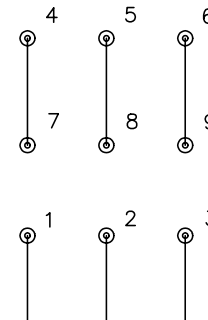


LOW VOLTAGE
(2Y)



LINE

HIGH VOLTAGE
(1Y)



LINE

NOTES:

1. INTERCHANGE ANY TWO LINE LEADS TO REVERSE ROTATION.
2. OPTIONAL THERMOSTATS ARE PROVIDED WHEN SPECIFIED.
3. ACTUAL NUMBER OF INTERNAL PARALLEL CIRCUITS MAY BE A MULTIPLE OF THOSE SHOWN ABOVE.
4. LEAD COLORS ARE OPTIONAL. LEADS MUST ALWAYS BE NUMBERED AS SHOWN.

REV. DESC: REVISE TO SHOW OPTIONAL COLORS			
REV. LTR: E	BY: JLP	REVISED: 01/19/99 10:15	TDR: 0171435
900000		FILE: AAA00005140	MDL: -
		MTL: -	

BALDOR ELECTRIC Co.

3PH, DV, 9 LEADS

CD0005