



BALDOR® • *RELIANCE*

Product Information Packet

FM3611T

3HP,1750RPM,3PH,60HZ,182T,3628M,TEFC,F2

Product Detail

Revision:	S	Status:	PRD/A	Change #:		Proprietary:	No
Type:	AC	Prod Type:	3628M	Elec. Spec:	36WGX865	CD Diagram:	CD0005
Enclosure	TEFC	Mfg Plant:		Mech Spec:	36A006	Layout:	36LYA006
Frame:	182T	Mounting:	F2	Poles:	04	Created Date:	
Base:	RG	Rotation:	R	Insulation:	F	Eff. Date:	08-01-2008
Leads:	9#16	Literature:		Elec. Diagram:		Replaced By:	

Nameplate NP1256L

CAT.NO.	FM3611T						
SPEC.	36A006X865H1						
HP	3						
VOLTS	208-230/460						
AMP	8.5-8.2/4.1						
RPM	1750						
FRAME	182T	HZ	60	PH	3		
SER.F.	1.15	CODE	K	DES	B	CLASS	F
NEMA-NOM-EFF	87.5	PF	78				
RATING	40C AMB-CONT						
CC	010A	USABLE AT 208V	8.5				
DE	6206	ODE	6205				
ENCL	TEFC	SN					

Parts List			
Product ID	Description	Quantity	List Price
SA033832	SA 36A006X865H1	1.000	307.00
RA029860	RA 36A006X865H1	1.000	256.00
S/P101-000-000	EPACT PROCEDURES-FS PLANT-POLYREX EM, NO	1.000	
36CB3004	36 CB CASTING W/1.09 DIA LEAD HOLE @ 6:0	1.000	23.00
36GS1000SP	GASKET-CONDUIT BOX, .06 THICK #SV-330 LE	1.000	6.00
51XB1016A08	10-16X 1/2HXWSSLD SERTYB	2.000	3.00
11XW1032G06	10-32 X .38, TAPTITE II, HEX WSHR SLTD U	1.000	4.00
HW3001A01	D3019 BRASS WASHER(STIMP)	1.000	3.00
36EP3104A01	FREP MACH W/GRSR, RAISED FH PADS	1.000	61.00
HW4500A01	1641B(ALEMITE)400 UNIV, GREASE FITT	1.000	3.00
HW5100A05	WVY WSHR F/205 & 304 BRGS	1.000	3.00
36EP3100A01SP	PU ENDPLATE, MACH	1.000	96.00
HW4500A01	1641B(ALEMITE)400 UNIV, GREASE FITT	1.000	3.00
XY2520A12	1/4-20 HEX NUT, DIRECTIONAL SERRATIONS	4.000	1.00
51XB1214A16	12-14X1.00 HXWSSLD SERTYB	1.000	3.00
36FH4009A102SP	IEC FH GREASER W/AUTOPHERETIC PRIMER	1.000	17.00
51XW1032A06	10-32 X .38, TAPTITE II, HEX WSHR SLTD S	3.000	4.00
36CB4516	36 LIPPED CB LID	1.000	3.00
37GS1001SP	GASKET, CONDUIT BOX LID, .06 THICK LEXID	1.000	4.00
51XW0832A07	8-32 X .44, TAPTITE II, HEX WSHR SLTD SE	4.000	3.00
HW2501E16	KEY, 1/4 SQ X 1.750	1.000	3.00
HA7000A02	KEY RETAINER RING, 1 1/8 DIA, 1 3/8 DIA	1.000	3.00
10XF0440S02	04-40 X 1/8 TYPE F HEX HD STAINLESS STIC	2.000	4.00
MJ1000A02	GREASE, POLYREX EM EXXON	0.050	12.00

Parts List (continued)			
Product ID	Description	Quantity	List Price
MG1000G27	PAINT- S9282E CHARCOAL GREY	0.022	4,000.00
HA3101A25	THRUBOLT 1/4-20 X 11.000 OHIO ROD	4.000	3.00
36FN3000C01SP	FAN EXTERNAL,PLASTIC, 5.25 OD, .912/.907	1.000	15.00
LB1125C04	STD-E (STOCK CTN LABEL STD-E WITH FLAG)	1.000	3.00
LC0005E01	CONN.DIA./WARNING LABEL (LC0005/LB1119)	1.000	3.00
NP1256L	NP STD LASER ENGRAVED, UL CSA CC, W/O TH	1.000	4.00
36PA1000	PACK GROUP W/LB5001	1.000	21.00

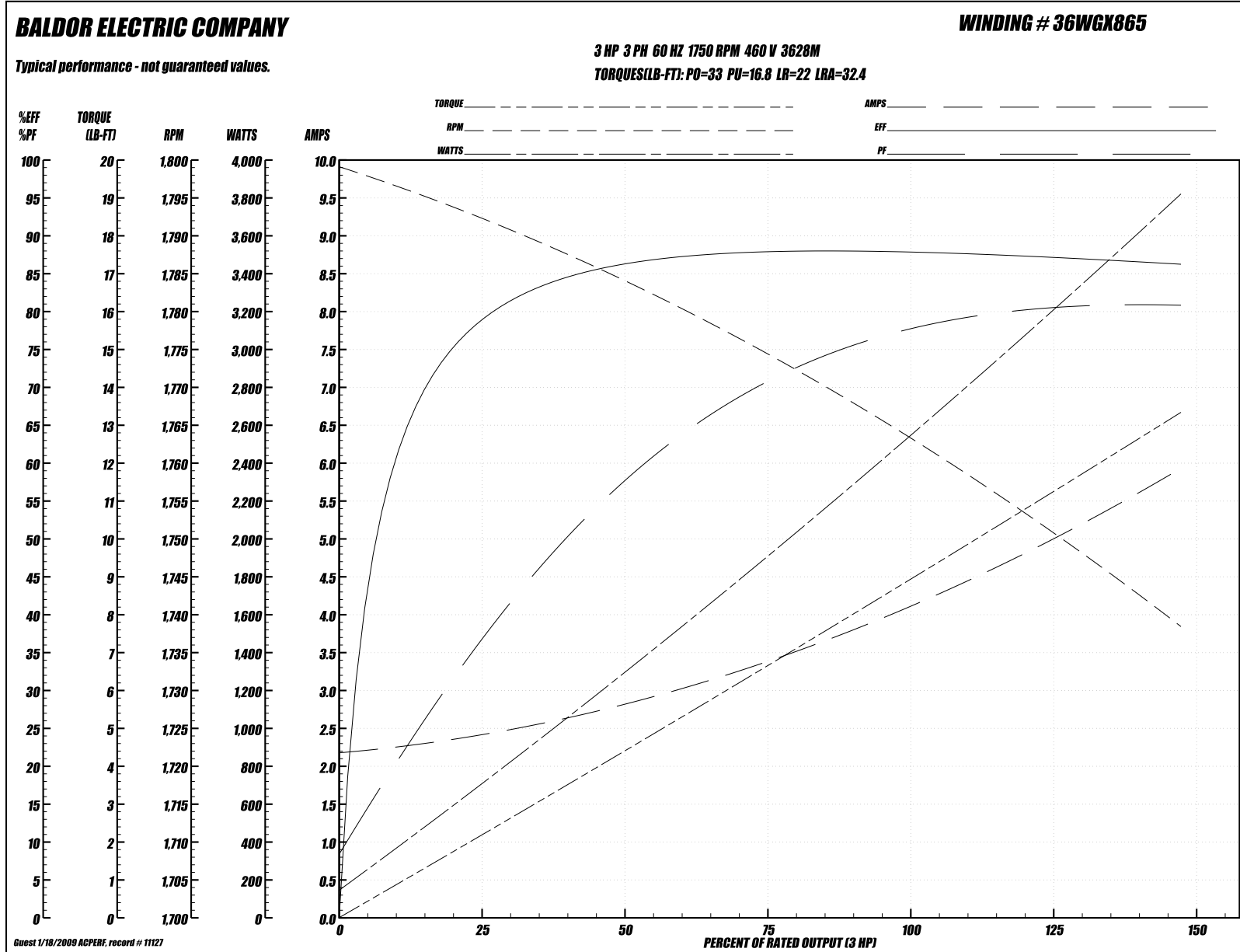
Performance Data at 460V, 60Hz, 3.0HP (Typical performance - Not guaranteed values)
General Characteristics

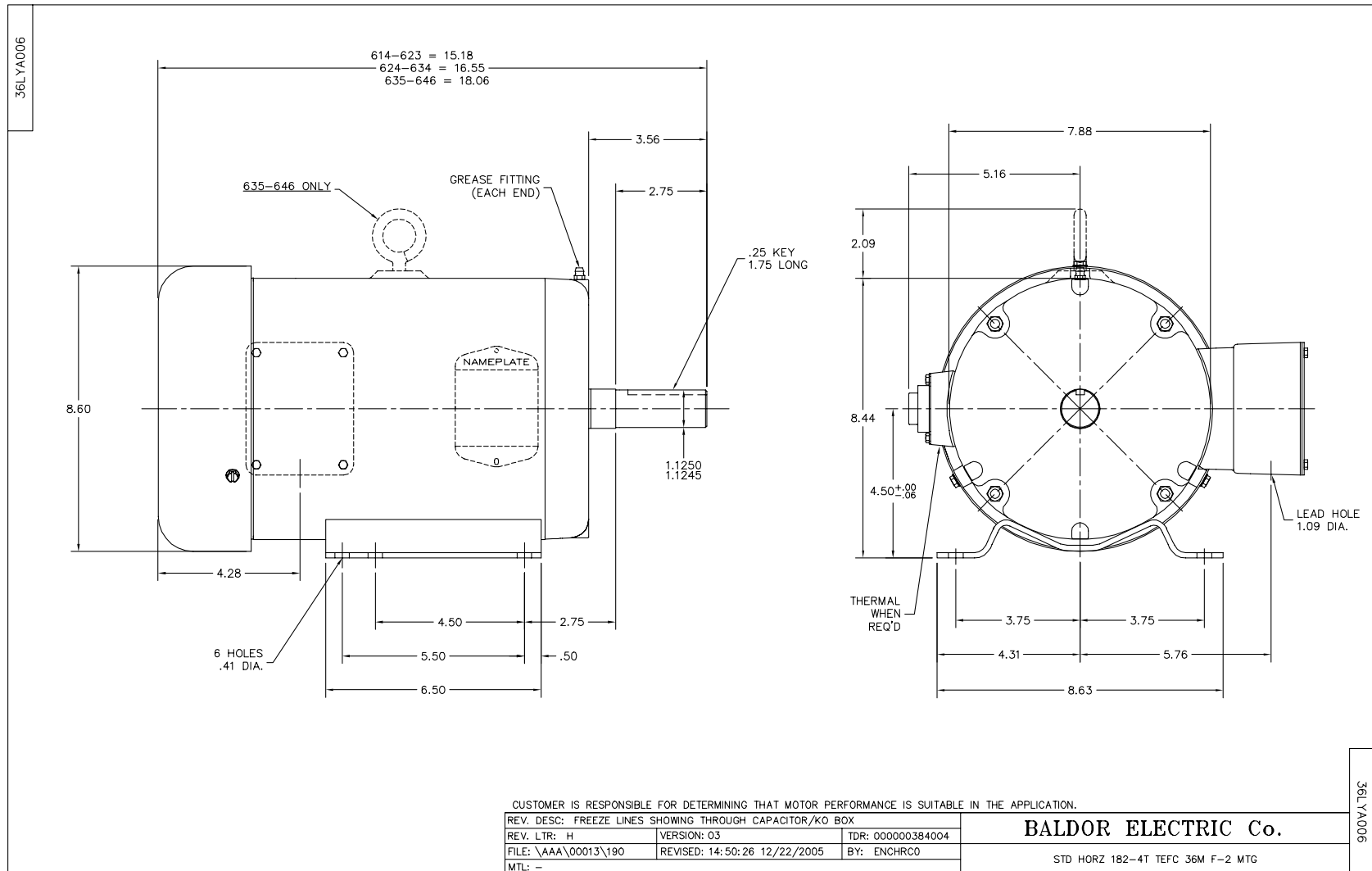
Full Load Torque:	8.9 LB-FT	Start Configuration:	DOL
No-Load Current:	2.2 Amps	Break-Down Torque:	33.0 LB-FT
Line-line Res. @ 25°C.:	4.28 Ohms A Ph / 0.0 Ohms B Ph	Pull-Up Torque:	16.8 LB-FT
Temp. Rise @ Rated Load:	36°C	Locked-Rotor Torque:	22.0 LB-FT
Temp. Rise @ S.F. Load:	42°C	Starting Current:	32.4 Amps

Load Characteristics

% of Rated Load:	25	50	75	100	125	150	S.F.
Power Factor:	38.0	59.0	71.0	78.0	80.0	81.0	79.0
Efficiency:	78.4	86.1	87.8	88.1	87.4	86.1	87.7
Speed:	1793.0	1783.0	1774.0	1764.0	1752.0	1738.0	1757.0
Line Amperes:	2.4	2.8	3.4	4.1	5.0	5.9	4.6

Performance Graph at 460V, 60Hz, 3.0HP (Typical performance - Not guaranteed values)

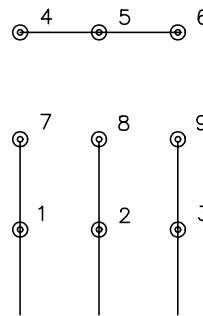




CD0005

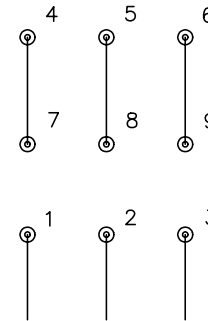


LOW VOLTAGE
(2Y)



LINE

HIGH VOLTAGE
(1Y)



LINE

NOTES:

1. INTERCHANGE ANY TWO LINE LEADS TO REVERSE ROTATION.
2. OPTIONAL THERMOSTATS ARE PROVIDED WHEN SPECIFIED.
3. ACTUAL NUMBER OF INTERNAL PARALLEL CIRCUITS MAY BE A MULTIPLE OF THOSE SHOWN ABOVE.
4. LEAD COLORS ARE OPTIONAL. LEADS MUST ALWAYS BE NUMBERED AS SHOWN.

REV. DESC: REVISE TO SHOW OPTIONAL COLORS

REV. LTR: E BY: JLP

REVISED: 01/19/99 10:15

TDR: 0171435

900000

FILE: AAA00005140

MDL: -

MTL: -

BALDOR ELECTRIC Co.

3PH, DV, 9 LEADS

CD0005