



BALDOR® • *RELIANCE*

Product Information Packet

FM3714T

10HP,1770RPM,3PH,60HZ,215T,3740M,TEFC,F2

Product Detail							
Revision:	A	Status:	PRD/A	Change #:		Proprietary:	No
Type:	AC	Prod Type:	3740M	Elec. Spec:	37WGS275	CD Diagram:	CD0005
Enclosure	TEFC	Mfg Plant:		Mech Spec:	37G863	Layout:	37LYG863
Frame:	215T	Mounting:	F2	Poles:	04	Created Date:	07-18-2007
Base:	RG	Rotation:	R	Insulation:	F	Eff. Date:	03-04-2008
Leads:	9#14	Literature:		Elec. Diagram:		Replaced By:	

Nameplate NP1256L									
CAT.NO.	FM3714T								
SPEC.	37G863S275H1								
HP	10								
VOLTS	208-230/460								
AMP	28-27/13.5								
RPM	1770								
FRAME	215T	HZ			60	PH	3		
SER.F.	1.15	CODE			K	DES	A	CLASS	F
NEMA-NOM-EFF	89.5	PF			77				
RATING	40C AMB-CONT								
CC	010A	USABLE AT 208V							
DE	6307	ODE			6206				
ENCL	TEFC	SN							

Parts List			
Product ID	Description	Quantity	List Price
SA160709	SA 37G863S275H1	1.000	548.00
RA149294	RA 37G863S275H1	1.000	457.00
37FN3002A01SP		1.000	33.00
S/P101-000-000	EPACT PROCEDURES-FS PLANT-POLYREX EM, NO	1.000	
HW3200A01	3/8-16X3/4 I-BLT WELDED F/S	1.000	4.00
37CB3006	37 CB CASTING W/1.38 LEAD HOLE @ 6:00	1.000	17.00
37GS1000SP	GASKET, CONDUIT BOX STD., .06 THICK LEXI	1.000	4.00
51XW2520A12	.25-20 X .75, TAPTITE II, HEX WSHR SLTD	2.000	3.00
11XW1032G06	10-32 X .38, TAPTITE II, HEX WSHR SLTD U	1.000	4.00
HW3001A01	D3019 BRASS WASHER(STIMP)	1.000	3.00
37EP3101A01SP	FR ENDPLATE,TEFC, 37 L&M, W/GREASER	1.000	143.00
HW4500A01	1641B(ALEMITE)400 UNIV, GREASE FITT	1.000	3.00
HW5100A06	W2420-025 WVY WSHR (WB)	1.000	3.00
37EP3100A01SP	STD PU ENDPLATE, ENCL,37 "T"-307 BRG, W/	1.000	122.00
HW4500A01	1641B(ALEMITE)400 UNIV, GREASE FITT	1.000	3.00
XY3118A12	5/16-18 HEX NUT DIRECTIONAL SERRATION	4.000	3.00
51XB1214A20	12-14X1.25 HXWSSLD SERTYB	1.000	3.00
07FH4007SP	IEC FH W/GRSR, NOTCH @ 6:00 & 3 FAN CVR	1.000	47.00
51XW1032A06	10-32 X .38, TAPTITE II, HEX WSHR SLTD S	3.000	4.00
37CB4516	CONDUIT BOX LID FOR OPEN AND GP 37 FRAME	1.000	3.00
37GS1001SP	GASKET, CONDUIT BOX LID, .06 THICK LEXID	1.000	4.00
51XW0832A07	8-32 X .44, TAPTITE II, HEX WSHR SLTD SE	4.000	3.00
HW2501F21	KEY, 5/16 SQ X 2.375	1.000	5.00
HA7000A02	KEY RETAINER RING, 1 1/8 DIA, 1 3/8 DIA	1.000	3.00

Parts List (continued)			
Product ID	Description	Quantity	List Price
10XF0440S02	04-40 X 1/8 TYPE F HEX HD STAINLESS STIC	2.000	4.00
LB1115	LABEL,LIFTING DEVICE (ON ROLLS0	1.000	3.00
MJ1000A02	GREASE, POLYREX EM EXXON	0.050	12.00
MG1000G27	PAINT- S9282E CHARCOAL GREY	0.028	4,000.00
HA3104A17	5/16-18X13.250 T-BLT/OHIO	4.000	3.00
LB1125C04	STD-E (STOCK CTN LABEL STD-E WITH FLAG)	1.000	3.00
LC0005E01	CONN.DIA./WARNING LABEL (LC0005/LB1119)	1.000	3.00
NP1256L	NP STD LASER ENGRAVED, UL CSA CC, W/O TH	1.000	4.00
G0PA1000	PACKAGING GROUP	1.000	46.00

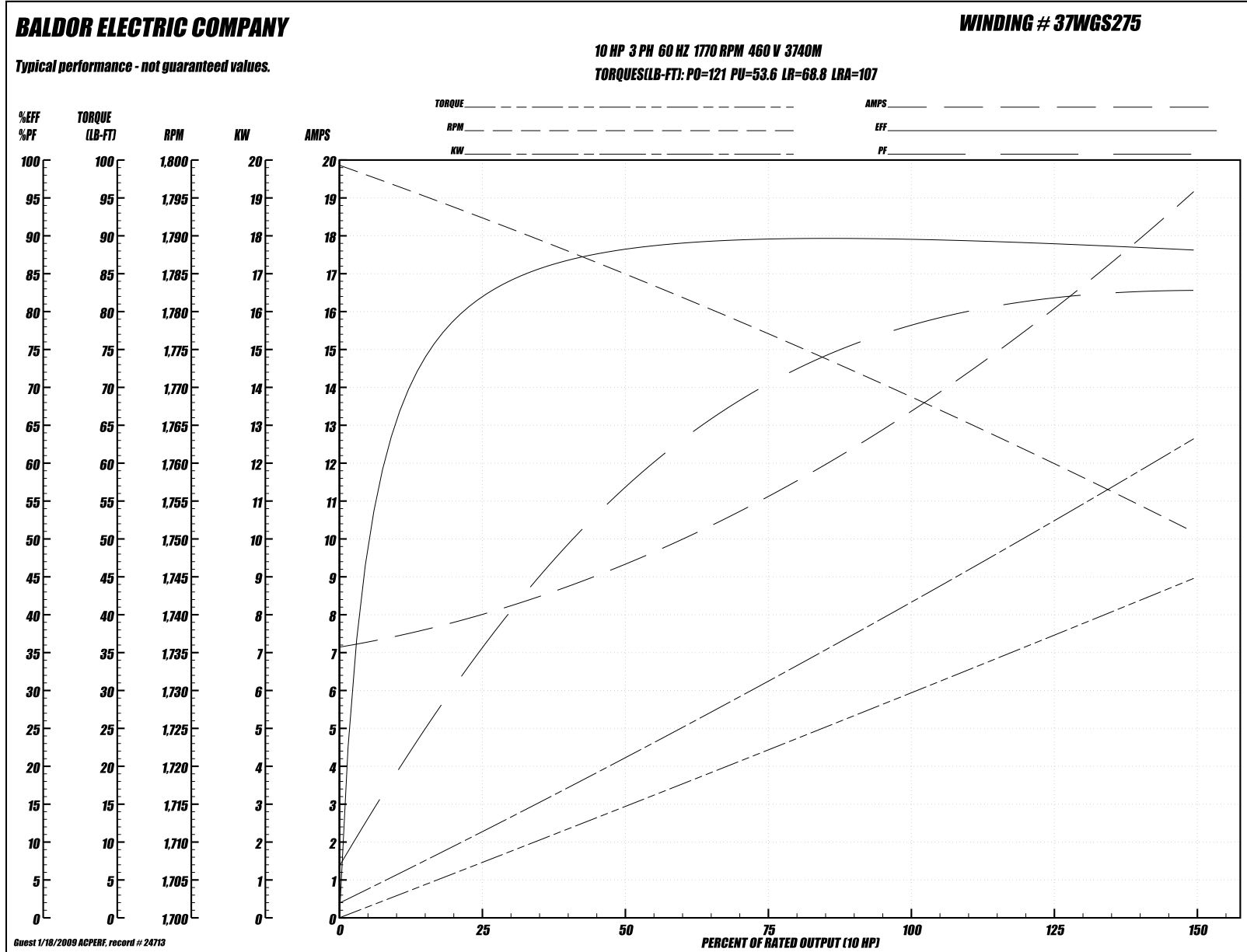
Performance Data at 460V, 60Hz, 10.0HP (Typical performance - Not guaranteed values)
General Characteristics

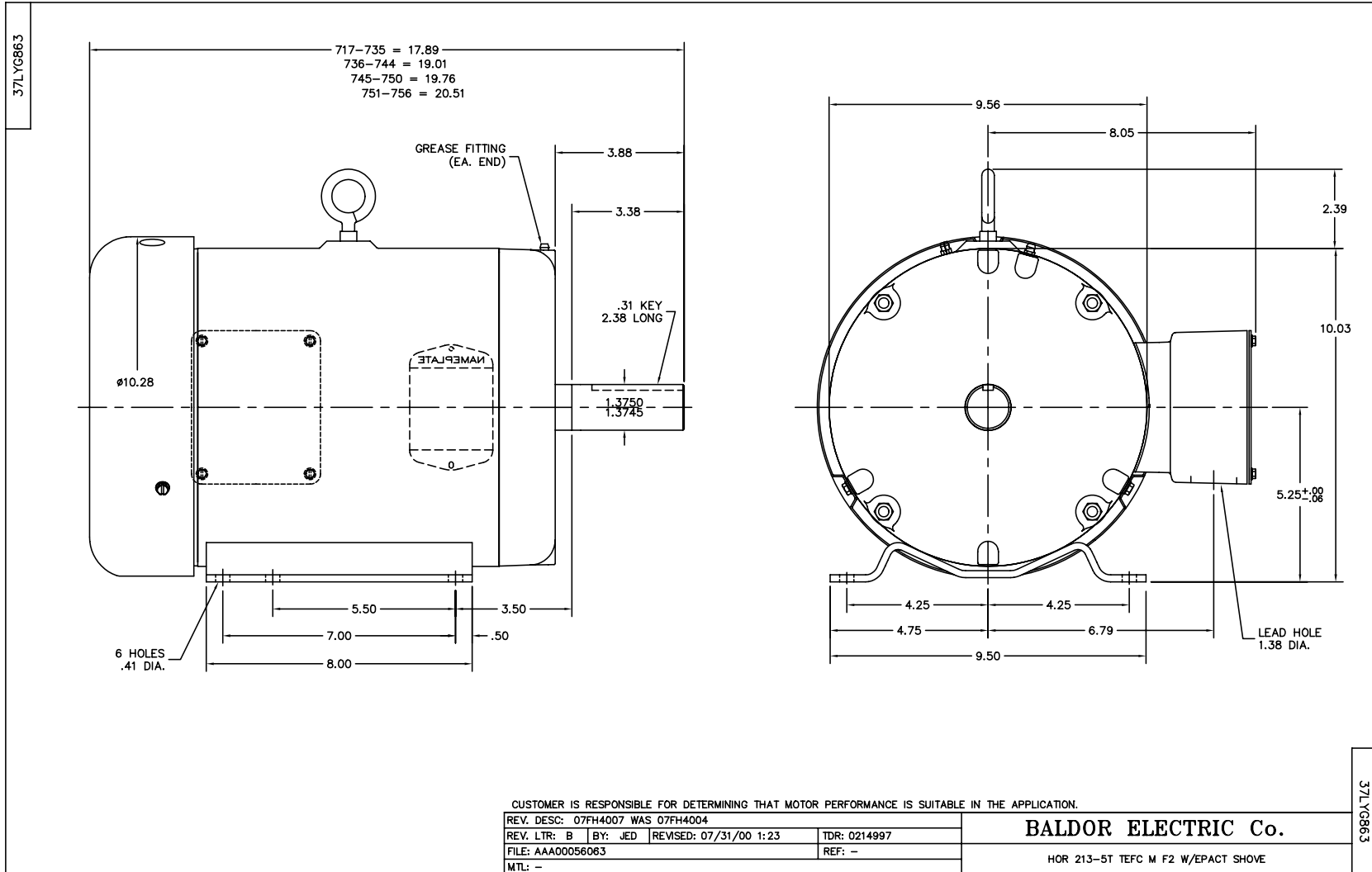
Full Load Torque:	29.5 LB-FT	Start Configuration:	DOL
No-Load Current:	7.31 Amps	Break-Down Torque:	121.0 LB-FT
Line-line Res. @ 25°C.:	1.16 Ohms A Ph / 0.0 Ohms B Ph	Pull-Up Torque:	53.6 LB-FT
Temp. Rise @ Rated Load:	78°C	Locked-Rotor Torque:	68.8 LB-FT
Temp. Rise @ S.F. Load:	94°C	Starting Current:	107.0 Amps

Load Characteristics

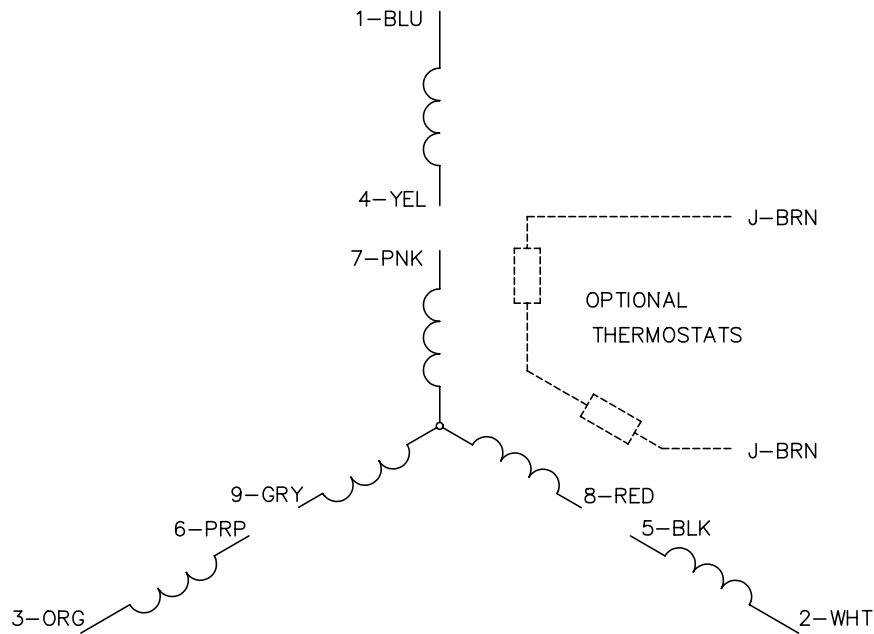
% of Rated Load:	25	50	75	100	125	150	S.F.
Power Factor:	36.0	58.0	70.0	77.0	81.0	83.0	79.0
Efficiency:	81.4	88.2	89.6	89.7	89.0	88.0	89.3
Speed:	1793.0	1785.0	1777.0	1769.0	1760.0	1751.0	1764.0
Line Amperes:	7.82	9.21	11.0	13.5	16.2	19.0	15.1

Performance Graph at 460V, 60Hz, 10.0HP (Typical performance - Not guaranteed values)

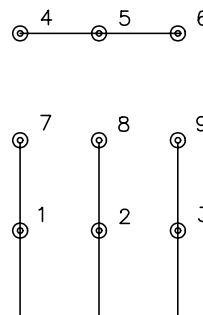




CD0005

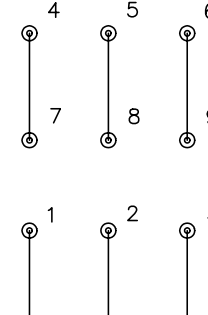


LOW VOLTAGE
(2Y)



LINE

HIGH VOLTAGE
(1Y)



LINE

NOTES:

1. INTERCHANGE ANY TWO LINE LEADS TO REVERSE ROTATION.
2. OPTIONAL THERMOSTATS ARE PROVIDED WHEN SPECIFIED.
3. ACTUAL NUMBER OF INTERNAL PARALLEL CIRCUITS MAY BE A MULTIPLE OF THOSE SHOWN ABOVE.
4. LEAD COLORS ARE OPTIONAL. LEADS MUST ALWAYS BE NUMBERED AS SHOWN.

REV. DESC: REVISE TO SHOW OPTIONAL COLORS			
REV. LTR: E	BY: JLP	REVISED: 01/19/99 10:15	TDR: 0171435
9000D		FILE: AAA00005140	MDL: -
		MTL: -	

BALDOR ELECTRIC Co.

3PH, DV, 9 LEADS

CD0005