



BALDOR® • *RELIANCE*

Product Information Packet

H3M9106

1HP,3450RPM,3PH,60HZ,56,3416M,TEFC,F3,N

Product Detail							
Revision:	-	Status:	PRD/A	Change #:		Proprietary:	No
Type:	AC	Prod Type:	3416M	Elec. Spec:	34WG0282	CD Diagram:	CD0005
Enclosure	TEFC	Mfg Plant:		Mech Spec:	34K985	Layout:	34LYK985
Frame:	56	Mounting:	F3	Poles:	02	Created Date:	12-11-2007
Base:	RG	Rotation:	R	Insulation:	B	Eff. Date:	12-15-2007
Leads:	9#18	Literature:		Elec. Diagram:		Replaced By:	

Nameplate NP1889A01

CAT.NO.	H3M9106						
SPEC.	34K985-0282						
HP	1						
VOLTS	230/460						
AMPS	3.6/1.8						
RPM	3450						
FRAME	56	HZ	60	PH	3		
SER.F.	1.25	CODE	H	DES	B	CL	B
NEMA-NOM-EFF	75.5	PF	71				
RATING	40C AMB-CONT						
CC		USABLE AT 200V	4.1				
DE	6203	ODE	6203				
AUTO	N	MANUAL	N	NONE	Y		
ENCL	TEFC	SN					
BLANK	SFA 4/2						

Parts List			
Product ID	Description	Quantity	List Price
SA165810	SA 34K985-0282	1.000	202.00
RA154202	RA 34K985-0282	1.000	169.00
NS2512A01	INSULATOR, CONDUIT BOX X X	1.000	2.00
WD4100A01	DP-875 HEYCO PLUG OR 62MP0875 MICRO PLAS	1.000	2.00
35CB4006A04	KOBX, STAMPED STEEL (REL# 79097-18B)	1.000	20.00
35GS3009	GASKET, KOBX 35CB4006 (411881-15A)	1.000	2.00
51XB1016A06	10-16X3/8 HXWSSLD SERTYB	2.000	2.00
11XW1032G06	10-32 X .38, TAPTITE II, HEX WSHR SLTD U	1.000	3.00
34EP3102A01SP	FR ENDPLATE, MACH	1.000	68.00
HW5100A03SP	WAVY WASHER (W1543-017)	1.000	2.00
34EP3102A02SP	FR/PU ENDPLATE, MACH	1.000	24.00
XY1032A02	10-32 HEX NUT DIRECTIONAL SERRATION	4.000	2.00
34FN3002A01SP	EXTERNAL FAN, PLASTIC, .637/.639 HUB W/	1.000	14.00
34FH4002A01SP	IEC FH NO GREASER	1.000	23.00
51XW1032A06	10-32 X .38, TAPTITE II, HEX WSHR SLTD S	3.000	3.00
35CB4517	CB LIPPED LID,AUTOPHORETIC,REL#79329-15A	1.000	15.00
35GS3011	GASKET, KOBX LID (602018-31A)	1.000	7.00
51XW0832A07	8-32 X .44, TAPTITE II, HEX WSHR SLTD SE	4.000	2.00
HW2501D13SP	KEY, 3/16 SQ X 1.375	1.000	2.00
HA7000A04	KEY RETAINER 0.625 DIA SHAFTS	1.000	2.00
MG1000G55	682.62 LACQUER LIGHT GRAY LHAPS	0.014	61.00
HA3100A12	THRUBOLT 10-32 X 7.375	4.000	2.00
LB5040	INSTRUCTION TAG, AC & DC	1.000	2.00
LB1125C01	STD (STOCK) CARTON LABEL BALDOR WITH FLA	1.000	2.00

Parts List (continued)			
Product ID	Description	Quantity	List Price
NP1889A01	NP LABEL W/CD0005 (FOR HVAC MOTOR)	1.000	
34PA1005	PACKING GROUP, BALDOR	1.000	10.00

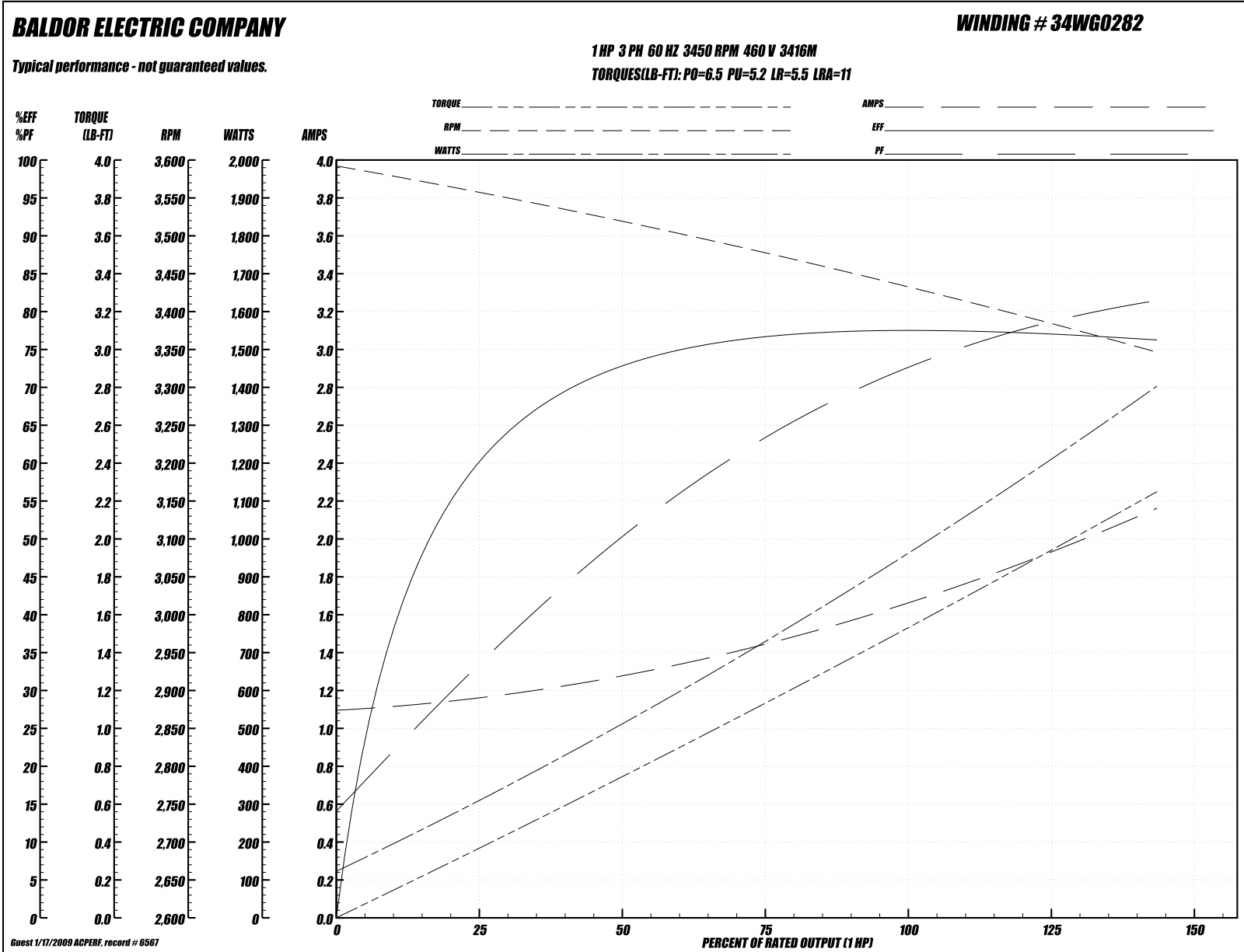
Performance Data at 460V, 60Hz, 1.0HP (Typical performance - Not guaranteed values)
General Characteristics

Full Load Torque:	1.5 LB-FT	Start Configuration:	DOL
No-Load Current:	1.1 Amps	Break-Down Torque:	6.5 LB-FT
Line-line Res. @ 25°C.:	16.7 Ohms A Ph / 0.0 Ohms B Ph	Pull-Up Torque:	5.2 LB-FT
Temp. Rise @ Rated Load:	34°C	Locked-Rotor Torque:	5.5 LB-FT
Temp. Rise @ S.F. Load:	47°C	Starting Current:	11.0 Amps

Load Characteristics

% of Rated Load:	25	50	75	100	125	150	S.F.
Power Factor:	37.0	53.0	68.0	76.0	77.0	76.0	77.0
Efficiency:	61.2	72.1	76.8	77.7	77.2	76.2	77.2
Speed:	3558.0	3524.0	3476.0	3434.0	3390.0	3349.0	3390.0
Line Amperes:	1.17	1.25	1.45	1.65	1.9	2.15	1.9

Performance Graph at 460V, 60Hz, 1.0HP (Typical performance - Not guaranteed values)



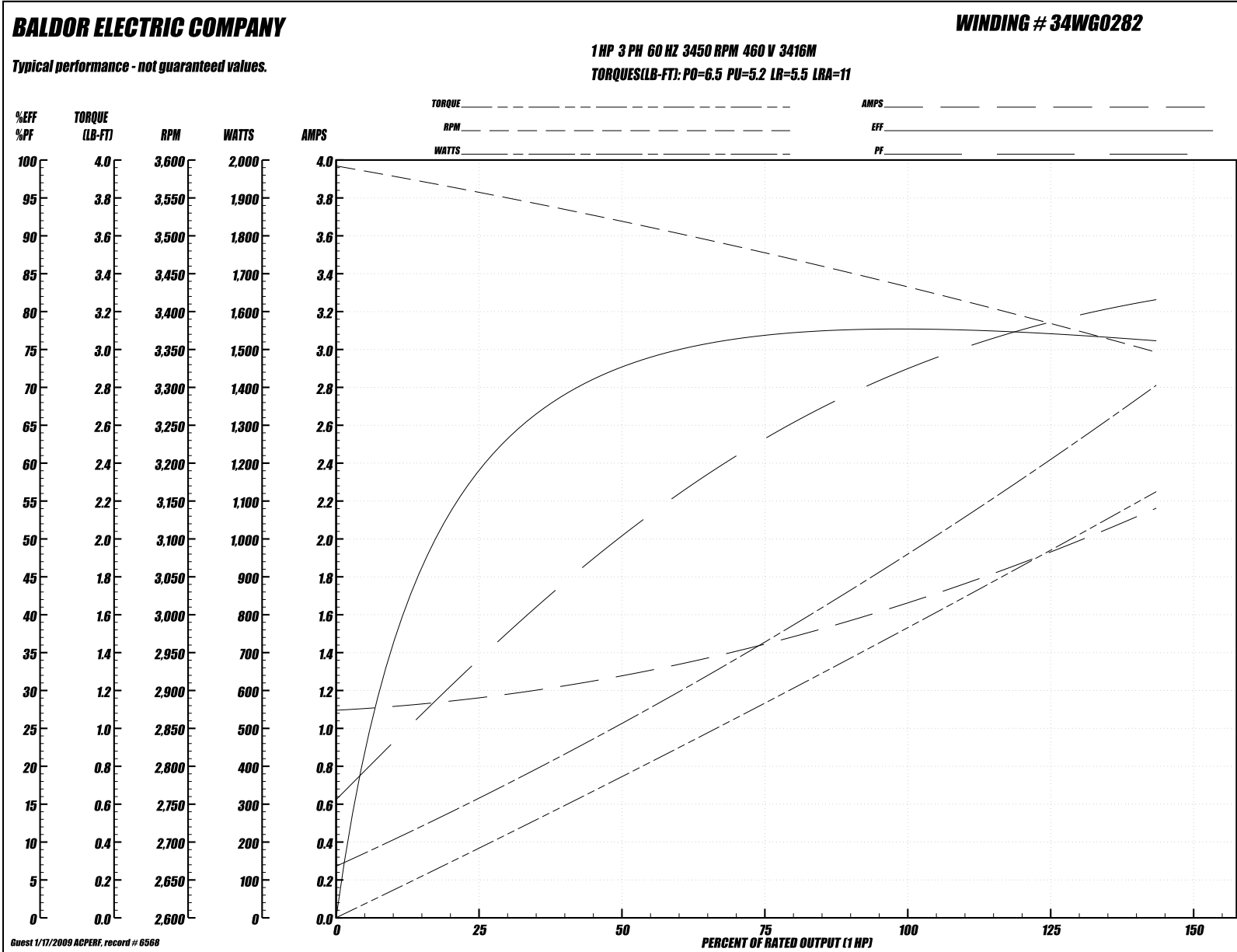
Performance Data at 460V, 60Hz, 1.0HP (Typical performance - Not guaranteed values)
General Characteristics

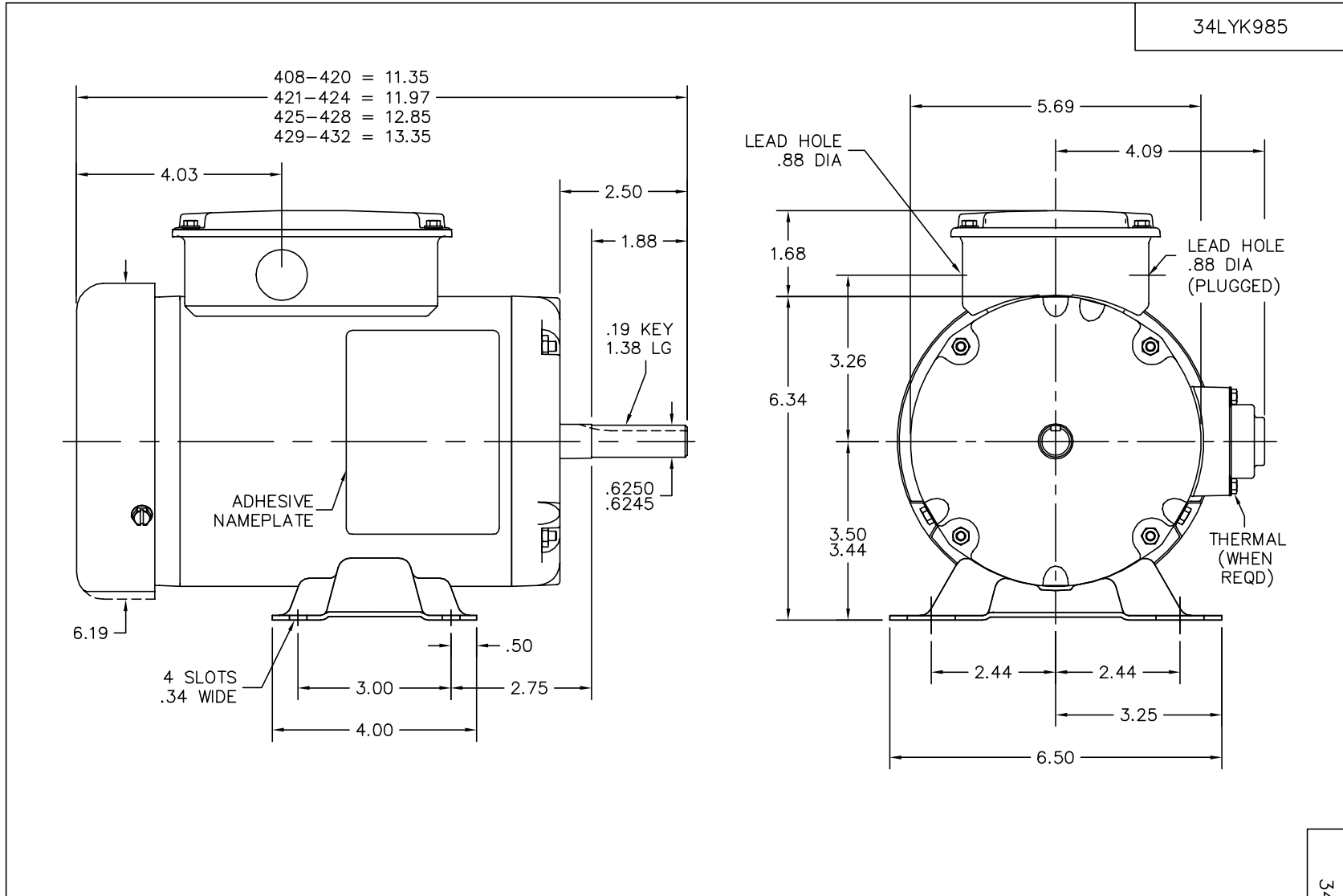
Full Load Torque:	1.5 LB-FT	Start Configuration:	DOL
No-Load Current:	1.1 Amps	Break-Down Torque:	6.5 LB-FT
Line-line Res. @ 25°C.:	16.7 Ohms A Ph / 0.0 Ohms B Ph	Pull-Up Torque:	5.2 LB-FT
Temp. Rise @ Rated Load:	71°C	Locked-Rotor Torque:	5.5 LB-FT
Temp. Rise @ S.F. Load:	85°C	Starting Current:	11.0 Amps

Load Characteristics

% of Rated Load:	25	50	75	100	125	150	S.F.
Power Factor:	37.0	53.0	68.0	76.0	77.0	76.0	77.0
Efficiency:	61.2	72.1	76.8	77.7	77.2	76.2	77.2
Speed:	3558.0	3524.0	3476.0	3434.0	3390.0	3349.0	3390.0
Line Amperes:	1.17	1.25	1.45	1.65	1.9	2.15	1.9

Performance Graph at 460V, 60Hz, 1.0HP (Typical performance - Not guaranteed values)





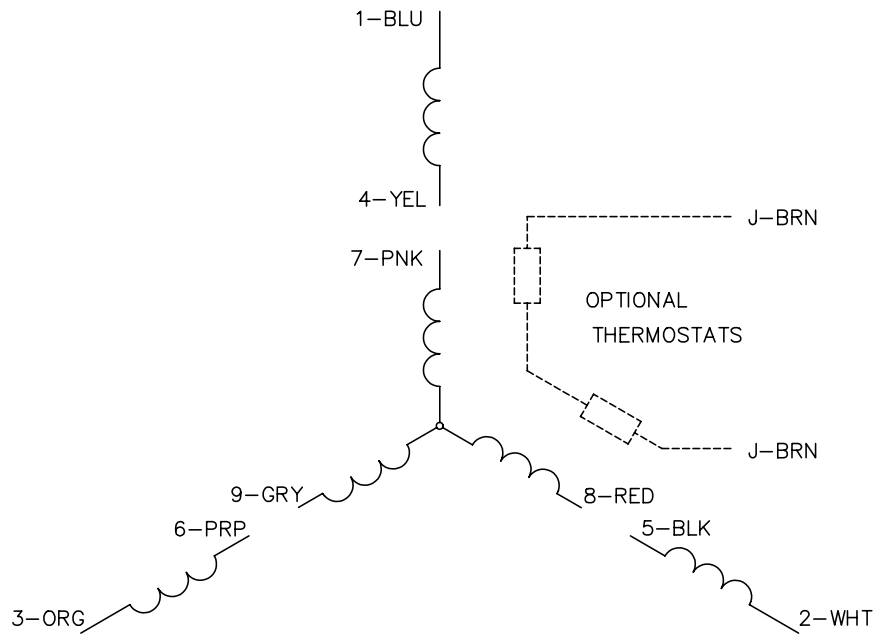
CUSTOMER IS RESPONSIBLE FOR DETERMINING THAT MOTOR PERFORMANCE IS SUITABLE IN THE APPLICATION.

REV. DESC: NEW FOR HVAC LOW PROFILE BOX		
REV. LTR: -	VERSION: 00	TDR: 000000451036
34LYK985	FILE: \AAA\00152\968	REVISED: 10:22:04 12/10/2007
	MTL: -	BY: ENDOUS0

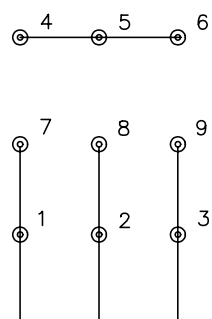
Baldor • Dodge • Reliance	
HORZ 34M NEMA 56 TEFC HVAC W/LOW PROF. KO 12 NP @ 3 O'CLOCK	

34LYK985

CD0005

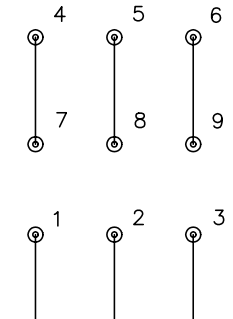


LOW VOLTAGE
(2Y)



LINE

HIGH VOLTAGE
(1Y)



LINE

NOTES:

1. INTERCHANGE ANY TWO LINE LEADS TO REVERSE ROTATION.
2. OPTIONAL THERMOSTATS ARE PROVIDED WHEN SPECIFIED.
3. ACTUAL NUMBER OF INTERNAL PARALLEL CIRCUITS MAY BE A MULTIPLE OF THOSE SHOWN ABOVE.
4. LEAD COLORS ARE OPTIONAL. LEADS MUST ALWAYS BE NUMBERED AS SHOWN.

REV. DESC: REVISE TO SHOW OPTIONAL COLORS			
REV. LTR: E	BY: JLP	REVISED: 01/19/99 10:15	TDR: 0171435
9000D		FILE: AAA00005140	MDL: -
		MTL: -	

BALDOR ELECTRIC Co.

3PH, DV, 9 LEADS

CD0005