



BALDOR® • *RELIANCE*

Product Information Packet

HM2543T

50HP,1765RPM,3PH,60HZ,324T,4057M,OPSB,F1

Product Detail							
Revision:	-	Status:	PRD/A	Change #:		Proprietary:	No
Type:	AC	Prod Type:	4057M	Elec. Spec:	40WGW972	CD Diagram:	CD0180
Enclosure	OPSB	Mfg Plant:		Mech Spec:	40J096	Layout:	40LYJ096
Frame:	324T	Mounting:	F1	Poles:	04	Created Date:	06-16-2006
Base:	RG	Rotation:	R	Insulation:	B	Eff. Date:	06-29-2006
Leads:	9#8	Literature:		Elec. Diagram:		Replaced By:	

Nameplate NP1888A02

CAT.NO.	HM2543T						
SPEC.	40J096W972H2						
HP	50						
VOLTS	230/460						
AMPS	121/60.5						
RPM	1765						
FRAME	324T	HZ	60	PH	3		
SER.F.	1.15	CODE	F	DES	B	CL	B
NEMA-NOM-EFF	93	PF	84				
RATING	40C AMB-CONT						
CC	010A	USABLE AT 208V	130				
DE	6312	ODE	6309				
AUTO		MANUAL		NONE			
ENCL	OPSB	SN					
BLANK							

Parts List			
Product ID	Description	Quantity	List Price
SA144451	SA 40J096W972H2	1.000	1,760.00
RA133642	RA 40J096W972H2	1.000	1,467.00
S/P101-000-003	EPACT PROC-ZK 280FR & UP,LARGE KOBX,POLY	1.000	
HA6361A01	LIFTING LUG FOR 37, 39 & 40 FRAME (AUTOP	2.000	2.00
40CB4000A01	CONDUIT BOX 40, STAMPED	1.000	45.00
10XN2520K08	1/4-20 X .50 GRADE #5, STL, ZINC PLATE	2.000	2.00
HW1001A25	LOCKWASHER 1/4, ZINC PLT .493 OD, .255 I	2.000	2.00
WD1000B16	KPA-4C BURNDY TERMINAL	1.000	4.00
40EP3200A02	STD FREP OPEN 309 BRG	1.000	244.00
HW5100A11	W3917-042 WVY WSHR (WB)	1.000	4.00
40EP3201A01	PU ENDPLATE, MACH - OPEN - FOR 312 BRG	1.000	174.00
XY3816A12	3/8-16 FINISHED NUT	8.000	2.00
39CB4500A01	CONDUIT BOX LID 39, STAMPED, AUTOPHORETI	1.000	34.00
51XF2520A08	SCREW, HEX SER SLT HD, ZN 1/4-20 X .50 L	2.000	2.00
HW2501H33	KEY, 1/2 SQ X 3.875	1.000	2.00
40AD2002A01	LEXAN BAFFLE 40 FR OPEN	1.000	14.00
HW4500A20	1/8NPT SL PIPE PLUG	2.000	2.00
MJ1000A02	GREASE, POLYREX EM EXXON	0.050	10.00
40AD2002A01	LEXAN BAFFLE 40 FR OPEN	1.000	14.00
HW4500A20	1/8NPT SL PIPE PLUG	2.000	2.00
MG1000G27	PAINT- S9282E CHARCOAL GREY	0.030	4,000.00
HA3154A06	THRUBOLT STUD 3/8-16 X 19.500	4.000	5.00
LB1125C04	STD-E (STOCK CTN LABEL STD-E WITH FLAG)	4.000	2.00
LB5040	INSTRUCTION TAG, AC & DC	1.000	2.00

Parts List (continued)			
Product ID	Description	Quantity	List Price
NP1888A02	NP LABEL W/CD0180 (FOR HVAC MOTOR)	1.000	
40PA1000	PACKAGING GROUP	1.000	67.00

Performance Data at 460V, 60Hz, 50.0HP (Typical performance - Not guaranteed values)

General Characteristics							
Full Load Torque:	149.0 LB-FT			Start Configuration:	DOL		
No-Load Current:	23.6 Amps			Break-Down Torque:	425.0 LB-FT		
Line-line Res. @ 25°C.:	0.151 Ohms A Ph / 0.0 Ohms B Ph			Pull-Up Torque:	211.0 LB-FT		
Temp. Rise @ Rated Load:	65°C			Locked-Rotor Torque:	235.0 LB-FT		
Temp. Rise @ S.F. Load:	78°C			Starting Current:	341.0 Amps		
Load Characteristics							
% of Rated Load:	25	50	75	100	125	150	S.F.
Power Factor:	49.0	71.0	80.0	84.0	85.0	85.0	84.0
Efficiency:	89.0	92.7	93.3	93.0	92.3	91.2	92.6
Speed:	1792.0	1783.0	1775.0	1765.0	1754.0	1742.0	1758.0
Line Amperes:	27.4	36.0	47.5	60.5	74.5	90.0	68.9

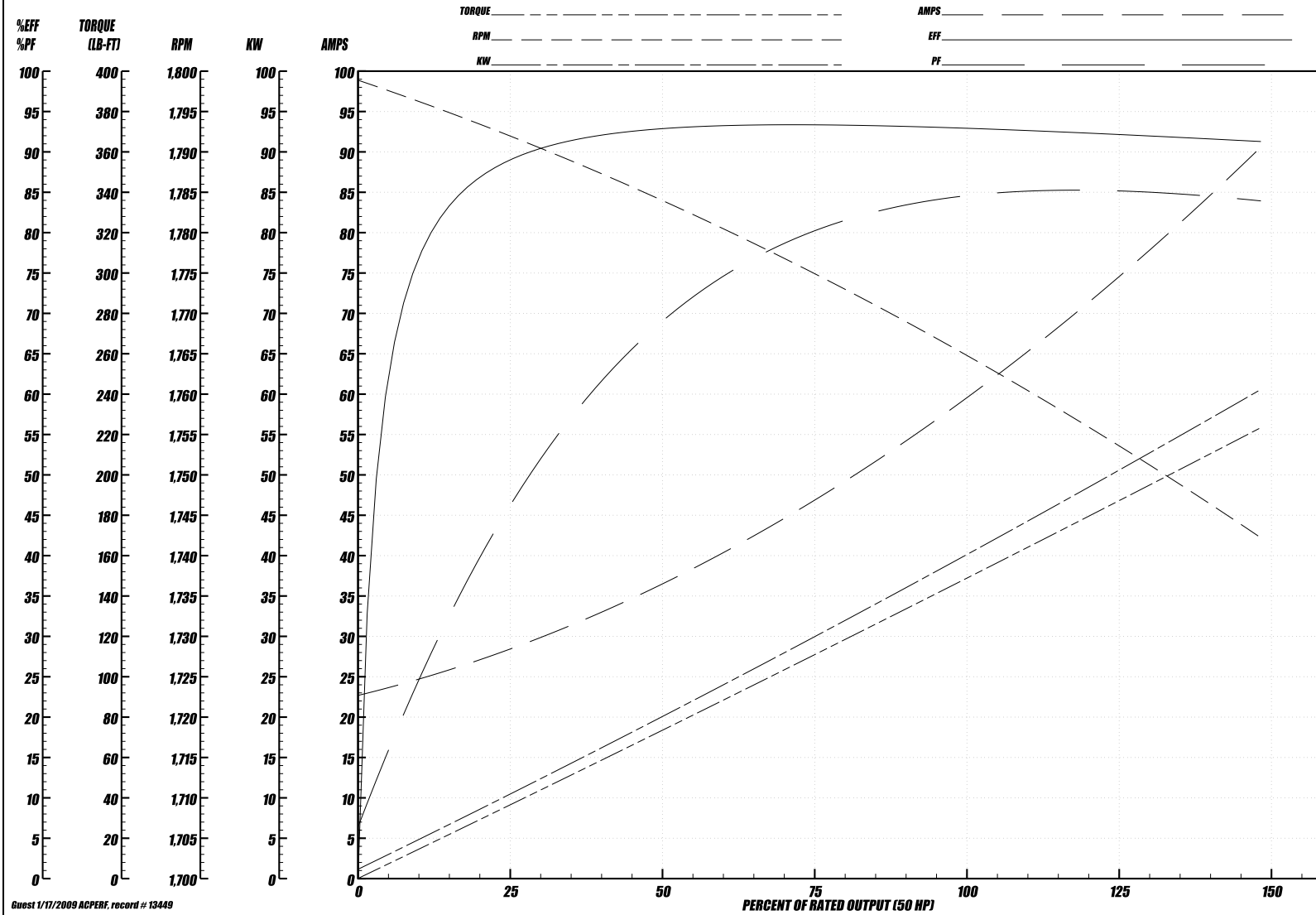
Performance Graph at 460V, 60Hz, 50.0HP (Typical performance - Not guaranteed values)

BALDOR ELECTRIC COMPANY

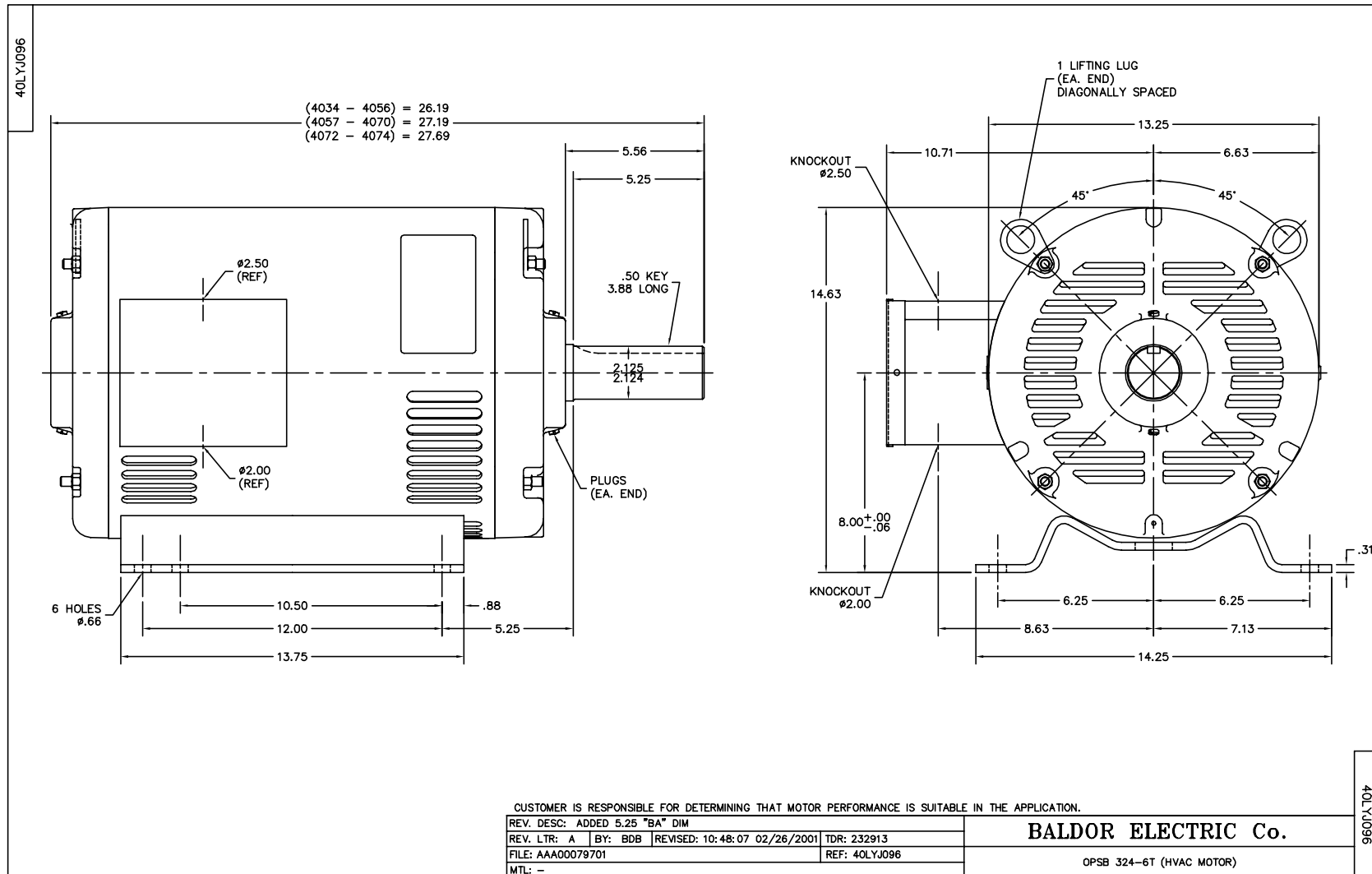
WINDING # 40WGW972

Typical performance - not guaranteed values.

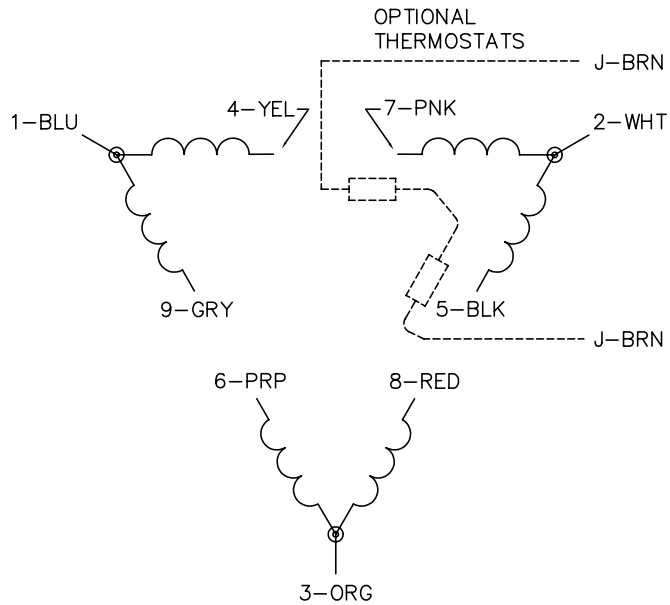
50 HP 3 PH 60 HZ 1765 RPM 460 V 4057M
 TORQUES(LB-FT): PO=425 PU=211 LR=235 LRA=341



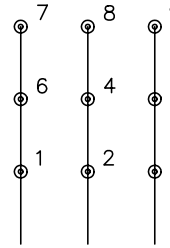
Guest 1/17/2009 ACPERF, record # 13449



CD0180

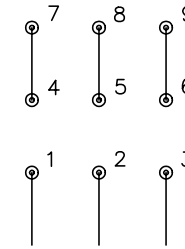


LOW VOLTAGE
(2D)



LINE

HIGH VOLTAGE
(1D)



LINE

NOTES:

1. INTERCHANGE ANY TWO LINE LEADS TO REVERSE ROTATION.
2. OPTIONAL THERMOSTATS ARE PROVIDED WHEN SPECIFIED.
3. ACTUAL NUMBER OF INTERNAL PARALLEL CIRCUITS MAY BE A MULTIPLE OF THOSE SHOWN ABOVE.
4. LEAD COLORS ARE OPTIONAL. LEADS MUST ALWAYS BE NUMBERED AS SHOWN.

REV. DESC: REVISE TO SHOW OPTIONAL COLORS

REV. LTR: C BY: JLP

REVISED: 01/21/99 2:28

TDR: 0171435

0810D0

FILE: AAA00005148

MDL: -

MTL: -

BALDOR ELECTRIC Co.

3PH, DV, 9 LEADS, DELTA CONNECTION

CD0180