



BALDOR® • *RELIANCE*

Product Information Packet

HM3311T

7.5HP,1750RPM,3PH,60HZ,213T,3643M,OPSB,F

Product Detail							
Revision:	B	Status:	PRD/A	Change #:		Proprietary:	No
Type:	AC	Prod Type:	3643M	Elec. Spec:	36WGT848	CD Diagram:	CD0005
Enclosure	OPSB	Mfg Plant:		Mech Spec:	36L732	Layout:	36LYL732
Frame:	213T	Mounting:	F1	Poles:	04	Created Date:	06-22-2006
Base:	RG	Rotation:	R	Insulation:	B	Eff. Date:	09-29-2008
Leads:	9#16	Literature:		Elec. Diagram:		Replaced By:	

Nameplate NP1888A01									
CAT.NO.	HM3311T								
SPEC.	36L732T848H1								
HP	7.5								
VOLTS	208-230/460								
AMPS	21.7-20/10								
RPM	1750								
FRAME	213T	HZ			60	PH	3		
SER.F.	1.15	CODE			J	DES	A	CL	B
NEMA-NOM-EFF	88.5	PF			79				
RATING	40C AMB-CONT								
CC	010A	USABLE AT 208V							
DE	6207	ODE			6205				
AUTO	N	MANUAL			N	NONE	Y		
ENCL	OPSB	SN							
BLANK									

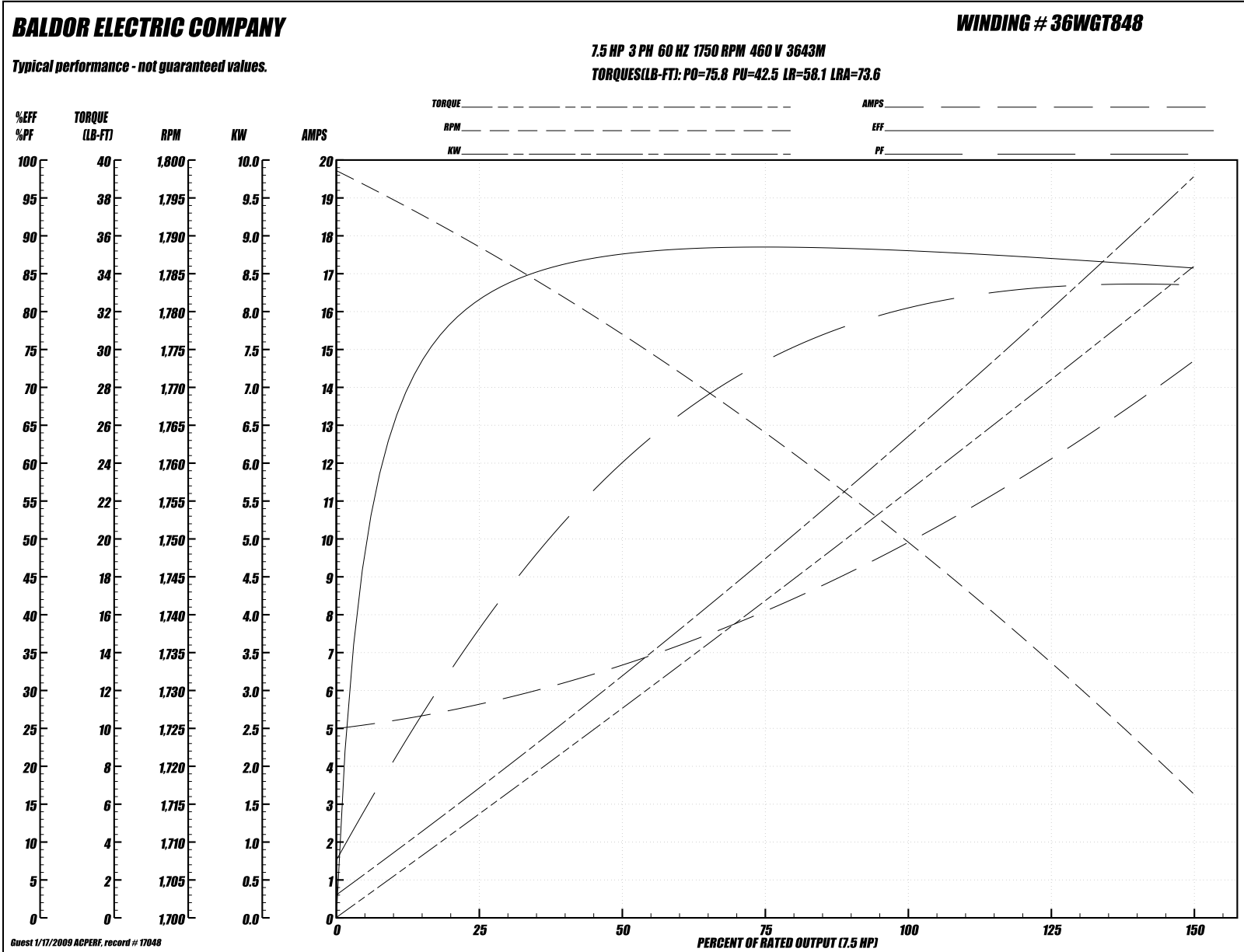
Parts List			
Product ID	Description	Quantity	List Price
SA144700	SA 36L732T848H1	1.000	357.00
RA133885	RA 36L732T848H1	1.000	298.00
S/P101-000-000	EPACT PROCEDURES-FS PLANT-POLYREX EM, NO	1.000	
HA6362	LIFTING LUG FOR 36 FRAME MOTORS.	2.000	2.00
36CB3004	36 CB CASTING W/1.09 DIA LEAD HOLE @ 6:0	1.000	19.00
51XB1016A08	10-16X 1/2HXWSSLD SERTYB	2.000	2.00
11XW1032G06	10-32 X .38, TAPTITE II, HEX WSHR SLTD U	1.000	3.00
HW3001A01	D3019 BRASS WASHER(STIMP)	1.000	2.00
36EP3200A25	FR ENDPLATE, MACH	1.000	86.00
HW4500A19	1/4-28X1/4 SLOTTED PLUG F/S	1.000	2.00
HW4500A20	1/8NPT SL PIPE PLUG	1.000	2.00
HW5100A05	WVY WSHR F/205 & 304 BRGS	1.000	2.00
36EP3203A03	PULLEY ENDPLATE 36 FRAME OPEN 207 BRGW/G	1.000	69.00
HW4500A19	1/4-28X1/4 SLOTTED PLUG F/S	1.000	2.00
HW4500A20	1/8NPT SL PIPE PLUG	1.000	2.00
HA3101A40	THRUBOLT 1/4-20 X 12.687	4.000	2.00
XY2520A12	1/4-20 HEX NUT, DIRECTIONAL SERRATIONS	4.000	1.00
36CB4516	36 LIPPED CB LID	1.000	2.00
51XW0832A07	8-32 X .44, TAPTITE II, HEX WSHR SLTD SE	4.000	2.00
HW2501F21	KEY, 5/16 SQ X 2.375	1.000	4.00
HA7000A02	KEY RETAINER RING, 1 1/8 DIA, 1 3/8 DIA	1.000	2.00
MJ1000A02	GREASE, POLYREX EM EXXON	0.050	10.00
MG1000G55	682.62 LACQUER LIGHT GRAY LHAPS	0.022	61.00
36AD2004A01	BAFFLE PLATE,MOD 36-SLTD BAND MTRS DELTA	2.000	39.00

Parts List (continued)			
Product ID	Description	Quantity	List Price
LB1125C04	STD-E (STOCK CTN LABEL STD-E WITH FLAG)	1.000	2.00
NP1888A01	NP LABEL W/CD0005 (FOR HVAC MOTOR)	1.000	
36PA1001	PACKAGING GROUP	1.000	25.00

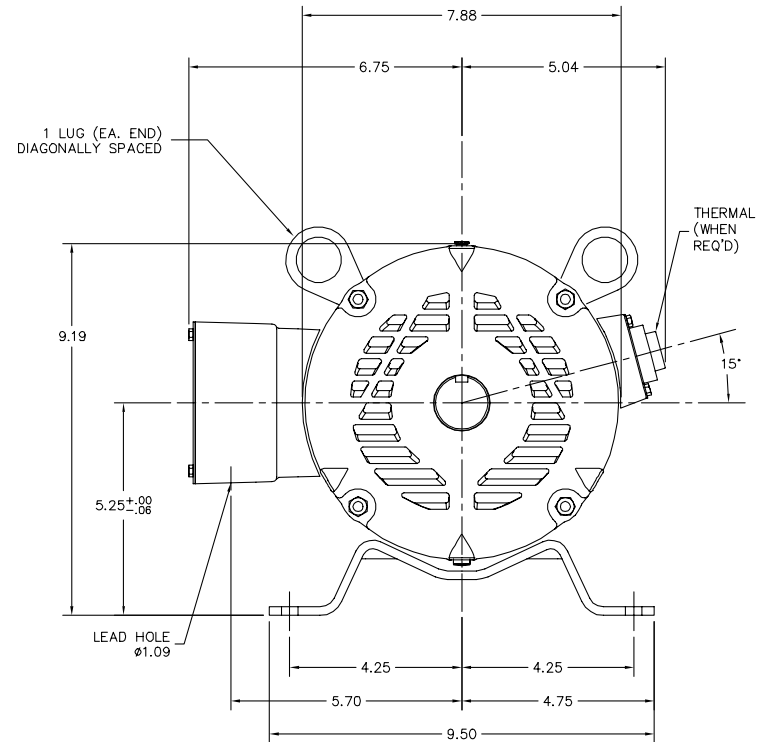
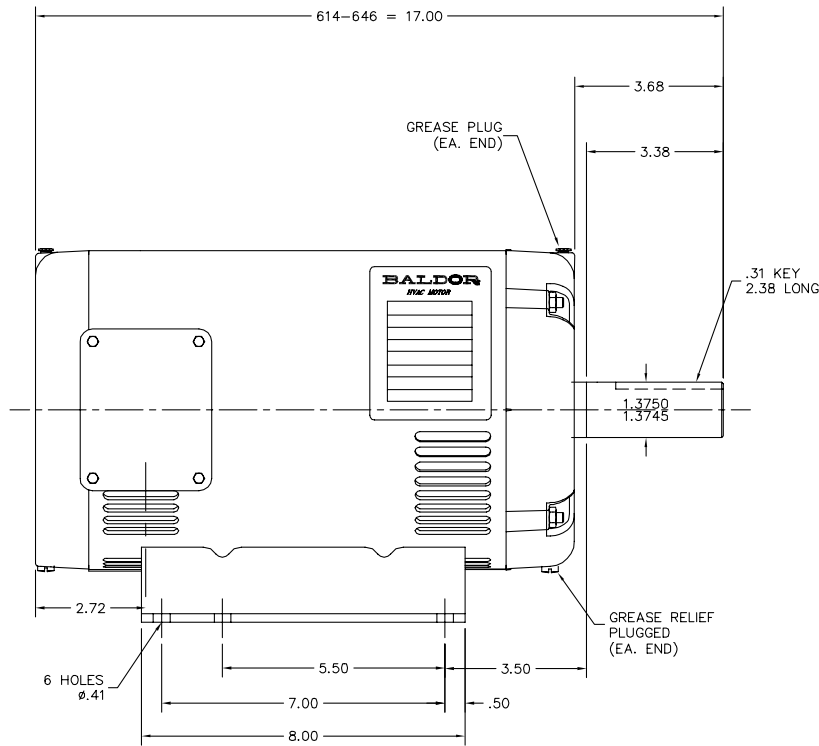
Performance Data at 460V, 60Hz, 7.5HP (Typical performance - Not guaranteed values)

General Characteristics							
Full Load Torque:	22.5 LB-FT			Start Configuration:	DOL		
No-Load Current:	5.13 Amps			Break-Down Torque:	75.8 LB-FT		
Line-line Res. @ 25°C.:	1.68 Ohms A Ph / 0.0 Ohms B Ph			Pull-Up Torque:	42.5 LB-FT		
Temp. Rise @ Rated Load:	65°C			Locked-Rotor Torque:	58.1 LB-FT		
Temp. Rise @ S.F. Load:	80°C			Starting Current:	73.6 Amps		
Load Characteristics							
% of Rated Load:	25	50	75	100	125	150	S.F.
Power Factor:	40.0	61.0	73.0	79.0	83.0	84.0	81.0
Efficiency:	81.7	87.8	88.9	88.6	87.5	85.8	87.9
Speed:	1788.0	1777.0	1764.0	1750.0	1734.0	1716.0	1740.0
Line Amperes:	5.47	6.56	8.13	10.0	12.2	14.6	11.3

Performance Graph at 460V, 60Hz, 7.5HP (Typical performance - Not guaranteed values)



36LY1732



CUSTOMER IS RESPONSIBLE FOR DETERMINING THAT MOTOR PERFORMANCE IS SUITABLE IN THE APPLICATION.

REV. DESC: NEW	VERSION: 00	TDR: 000000399826
REV. LTR: -	REVISED: 10:43:23 06/22/2006	BY: ENALEMO
FILE: \AAA\00137\799		
MTL: -		

BALDOR ELECTRIC Co.

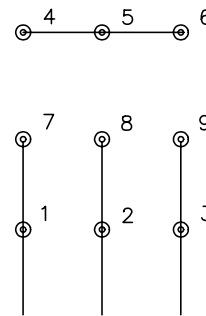
HORZ 213-5T OPSB M (HVAC), GRS REL

36LY1732

CD0005

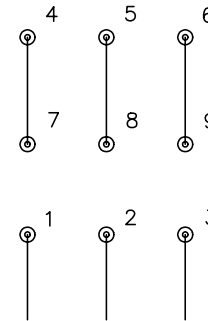


LOW VOLTAGE
(2Y)



LINE

HIGH VOLTAGE
(1Y)



LINE

NOTES:

1. INTERCHANGE ANY TWO LINE LEADS TO REVERSE ROTATION.
2. OPTIONAL THERMOSTATS ARE PROVIDED WHEN SPECIFIED.
3. ACTUAL NUMBER OF INTERNAL PARALLEL CIRCUITS MAY BE A MULTIPLE OF THOSE SHOWN ABOVE.
4. LEAD COLORS ARE OPTIONAL. LEADS MUST ALWAYS BE NUMBERED AS SHOWN.

REV. DESC: REVISE TO SHOW OPTIONAL COLORS			
REV. LTR: E	BY: JLP	REVISED: 01/19/99 10:15	TDR: 0171435
900000		FILE: AAA00005140	MDL: -
		MTL: -	

BALDOR ELECTRIC Co.

3PH, DV, 9 LEADS

CD0005