



# **BALDOR® • *RELIANCE***

## **Product Information Packet**

### **HM9146T**

**30HP,1760RPM,3PH,60HZ,286T,0964M,TEFC,F1**

Product Detail							
Revision:	N	Status:	PRD/A	Change #:		Proprietary:	No
Type:	AC	Prod Type:	0964M	Elec. Spec:	09WGY208	CD Diagram:	CD0005
Enclosure	TEFC	Mfg Plant:		Mech Spec:	09F436	Layout:	09LYF436
Frame:	286T	Mounting:	F1	Poles:	04	Created Date:	
Base:	RG	Rotation:	R	Insulation:	F	Eff. Date:	12-22-2008
Leads:	9#10	Literature:		Elec. Diagram:		Replaced By:	

Nameplate NP1256L									
CAT.NO.	HM9146T								
SPEC.	09F436Y208H2								
HP	30								
VOLTS	230/460								
AMP	72/36								
RPM	1760								
FRAME	286T	HZ			60	PH	3		
SER.F.	1.15	CODE			H	DES	B	CLASS	F
NEMA-NOM-EFF	92.4	PF			84				
RATING	40C AMB-CONT								
CC	010A	USABLE AT 208V			77.4				
DE	6311	ODE			6208				
ENCL	TEFC	SN							

<b>Parts List</b>			
<b>Product ID</b>	<b>Description</b>	<b>Quantity</b>	<b>List Price</b>
SA112871	SA 09F436Y208H2	1.000	1,439.00
RA104099	RA 09F436Y208H2	1.000	1,199.00
S/P101-000-003	EPACT PROC-ZK 280FR & UP,LARGE KOBX,POLY	1.000	
10CB3000SP	STD KO BOX MODEL 310,312,314 MTRS W/2.00	1.000	35.00
12GS1000SP	GASKET	1.000	2.00
10XN3118K12	5/16-18 X .75 GRADE 5, ZINC PLATED	4.000	2.00
HW1001A31	LOCKWASHER 5/16, ZINC PLT.591 OD, .319 I	4.000	2.00
WD1000B16	KPA-4C BURNDY TERMINAL	1.000	4.00
11XW1032G06	10-32 X .38, TAPTITE II, HEX WSHR SLTD U	1.000	3.00
09EP1100A14SP	ENDPLATE, MACH	1.000	152.00
XY3816A12	3/8-16 FINISHED NUT	4.000	2.00
HW1001A38	LOCKWASHER 3/8, ZINC PLT .688 OD, .382 I	4.000	2.00
HW5100A08	W3118-035 WVY WSHR (WB)	1.000	2.00
10XN2520K28	1/4-20 X 1.75" HX HD SCRWGRADE 5, ZINC P	2.000	2.00
HW1001A25	LOCKWASHER 1/4, ZINC PLT .493 OD, .255 I	2.000	2.00
09EP1116A01	PU ENDPLATE, MACH	1.000	174.00
HA3113A15	THRUBOLT 3/8-16 X 18.875 W/3.50 THD LENG	4.000	4.00
HW1001A38	LOCKWASHER 3/8, ZINC PLT .688 OD, .382 I	4.000	2.00
10XN3118K40	5/16-18 X 2.50" HEX HD, GRADE 5	4.000	2.00
HW1001A31	LOCKWASHER 5/16, ZINC PLT.591 OD, .319 I	4.000	2.00
09FH4000SP	FAN COVER, STAMPED	1.000	128.00
HA2081A05	SPACER TUBE, 309 FAN HSG, 2.00 LONG	4.000	2.00
XY3816A12	3/8-16 FINISHED NUT	4.000	2.00
10CB3500SP	CONDUIT BOX LID, CAST	1.000	31.00

<b>Parts List (continued)</b>			
<b>Product ID</b>	<b>Description</b>	<b>Quantity</b>	<b>List Price</b>
10GS1000	GASKET, CONDUIT BOX LID	1.000	2.00
51XW2520A12	.25-20 X .75, TAPTITE II, HEX WSHR SLTD	4.000	2.00
HW4600B40	V-RING SLINGER 2.000 X 2.680 X 0.280	1.000	6.00
HW2501H28	KEY, 1/2 SQ X 3.250	1.000	2.00
LB1115	LABEL,LIFTING DEVICE (ON ROLLS0	1.000	2.00
LB5040	INSTRUCTION TAG, AC & DC	1.000	2.00
HW4500A05	1669B ALEM/UNIV860 GR FTG X	1.000	6.00
HW4500A17	317400 ALEMITE GREASE RELIEF	1.000	4.00
HA4001A01SP	DRAIN PLUG, PLASTIC (MICRO PLAS)	1.000	2.00
HA4051A00	PLASTIC CAP FOR GREASE FITTING	1.000	2.00
MJ1000A02	GREASE, POLYREX EM EXXON	0.080	10.00
HW4500A03	GREASE FITTING, .125 NPT 1610(ALEMITE) 8	1.000	2.00
HW4500A17	317400 ALEMITE GREASE RELIEF	1.000	4.00
HA4001A01SP	DRAIN PLUG, PLASTIC (MICRO PLAS)	1.000	2.00
MG1000G27	PAINT- S9282E CHARCOAL GREY	0.050	4,000.00
85XU0407A04	#4-7 X 1/4 DRIVE PIN	2.000	2.00
HA4051A00	PLASTIC CAP FOR GREASE FITTING	1.000	2.00
09FN3001C01	EXTERNAL FAN, PLASTIC	1.000	25.00
51XB1214A20	12-14X1.25 HXWSSLD SERTYB	1.000	2.00
HW2500A25	WOODRUFF KEY USA #1008 #BLOW CARBON STEE	1.000	2.00
LB1125C04	STD-E (STOCK CTN LABEL STD-E WITH FLAG)	4.000	2.00
LC0005E02	SPL CONN.DIA./WARN.LABEL(LC0005/LB1119)	1.000	2.00
NP1256L	NP STD LASER ENGRAVED, UL CSA CC, W/O TH	1.000	3.00
40PA1005	PACKAGING GROUP, 09 STD	1.000	112.00

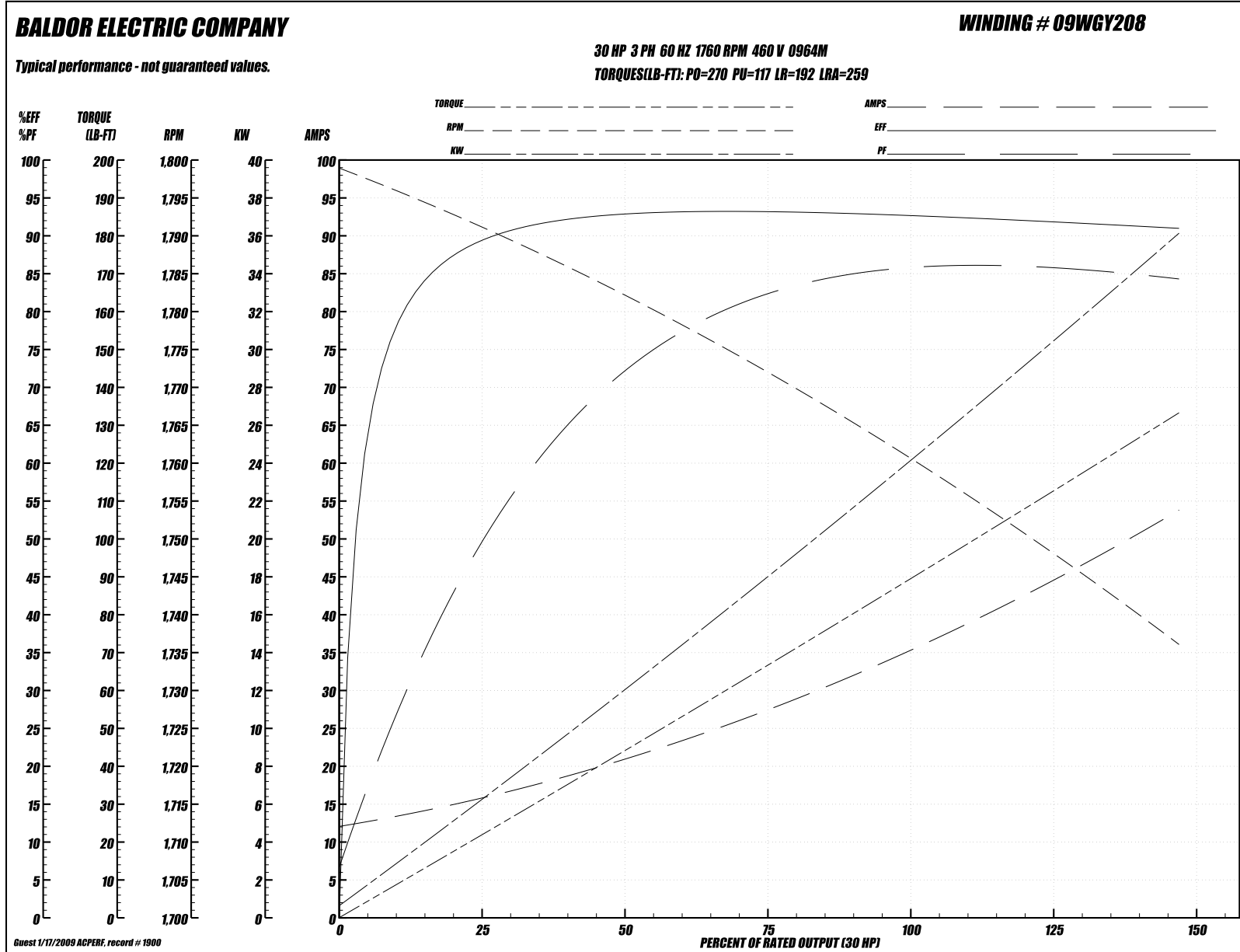
**Performance Data at 460V, 60Hz, 30.0HP (Typical performance - Not guaranteed values)**
**General Characteristics**

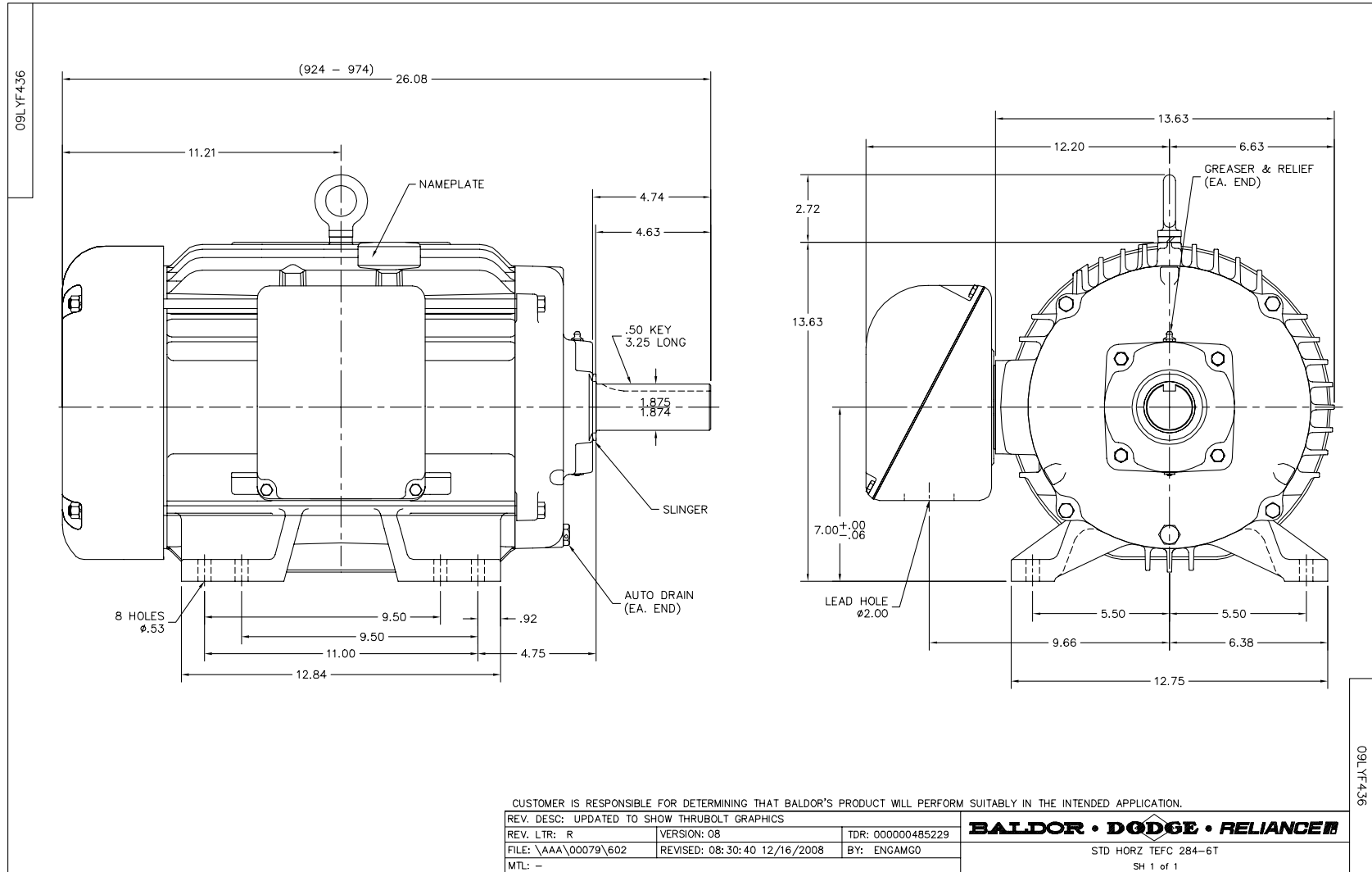
<b>Full Load Torque:</b>	88.9 LB-FT	<b>Start Configuration:</b>	DOL
<b>No-Load Current:</b>	12.7 Amps	<b>Break-Down Torque:</b>	270.0 LB-FT
<b>Line-line Res. @ 25°C.:</b>	0.257 Ohms A Ph / 0.0 Ohms B Ph	<b>Pull-Up Torque:</b>	117.0 LB-FT
<b>Temp. Rise @ Rated Load:</b>	68°C	<b>Locked-Rotor Torque:</b>	192.0 LB-FT
<b>Temp. Rise @ S.F. Load:</b>	84°C	<b>Starting Current:</b>	259.0 Amps

**Load Characteristics**

<b>% of Rated Load:</b>	<b>25</b>	<b>50</b>	<b>75</b>	<b>100</b>	<b>125</b>	<b>150</b>	<b>S.F.</b>
<b>Power Factor:</b>	51.0	73.0	81.0	84.0	86.0	86.0	85.0
<b>Efficiency:</b>	88.9	92.7	93.2	92.8	92.0	90.9	92.3
<b>Speed:</b>	1791.0	1782.0	1772.0	1761.0	1749.0	1736.0	1754.0
<b>Line Amperes:</b>	15.0	20.7	27.5	35.8	44.1	53.4	40.78

Performance Graph at 460V, 60Hz, 30.0HP (Typical performance - Not guaranteed values)

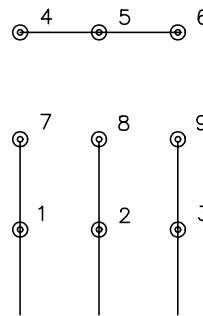




CD0005

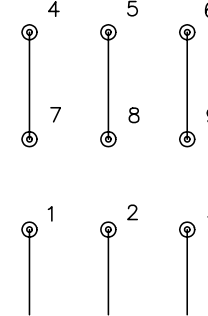


LOW VOLTAGE  
(2Y)



LINE

HIGH VOLTAGE  
(1Y)



LINE

NOTES:

1. INTERCHANGE ANY TWO LINE LEADS TO REVERSE ROTATION.
2. OPTIONAL THERMOSTATS ARE PROVIDED WHEN SPECIFIED.
3. ACTUAL NUMBER OF INTERNAL PARALLEL CIRCUITS MAY BE A MULTIPLE OF THOSE SHOWN ABOVE.
4. LEAD COLORS ARE OPTIONAL. LEADS MUST ALWAYS BE NUMBERED AS SHOWN.

REV. DESC: REVISE TO SHOW OPTIONAL COLORS			
REV. LTR: E	BY: JLP	REVISED: 01/19/99 10:15	TDR: 0171435
900000		FILE: AAA00005140	MDL: -
		MTL: -	

**BALDOR ELECTRIC Co.**

3PH, DV, 9 LEADS

CD0005