



BALDOR® • *RELIANCE*

Product Information Packet

HM9149T

40HP,1770RPM,3PH,60HZ,324T,1064M,TEFC,F1

Product Detail							
Revision:	D	Status:	PRD/A	Change #:		Proprietary:	No
Type:	AC	Prod Type:	1064M	Elec. Spec:	10WGX908	CD Diagram:	CD0180
Enclosure	TEFC	Mfg Plant:		Mech Spec:	10F315	Layout:	10LYF315
Frame:	324T	Mounting:	F1	Poles:	04	Created Date:	06-23-2006
Base:	RG	Rotation:	R	Insulation:	F	Eff. Date:	09-18-2008
Leads:	9#8	Literature:		Elec. Diagram:		Replaced By:	

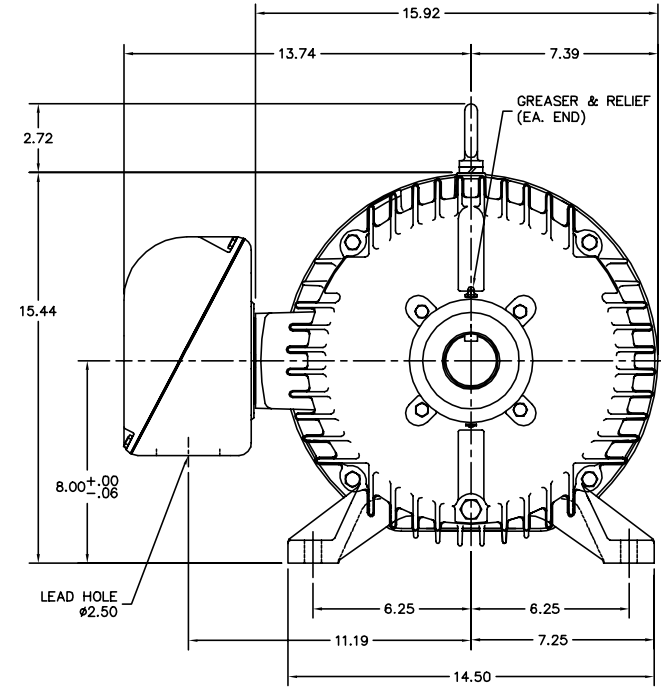
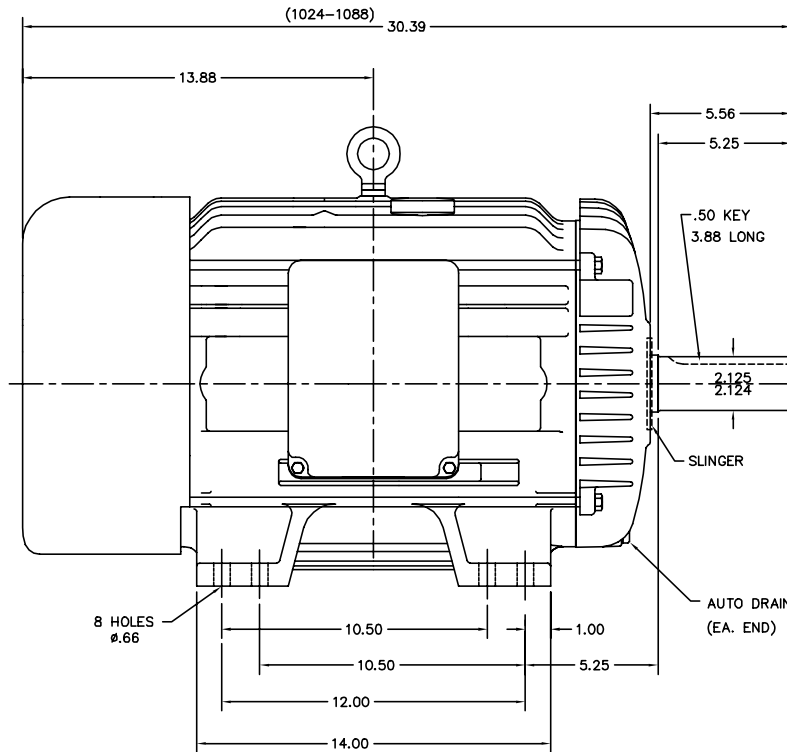
Nameplate NP1256L									
CAT.NO.	HM9149T								
SPEC.	10F315X908H1								
HP	40								
VOLTS	230/460								
AMP	94/47								
RPM	1770								
FRAME	324T	HZ			60	PH	3		
SER.F.	1.15	CODE			G	DES	B	CLASS	F
NEMA-NOM-EFF	93	PF			85				
RATING	40C AMB-CONT								
CC	010A	USABLE AT 208V							
DE	6312	ODE			6309				
ENCL	TEFC	SN							

Parts List			
Product ID	Description	Quantity	List Price
SA145026	SA 10F315X908H1	1.000	1,921.00
RA134197	RA 10F315X908H1	1.000	1,601.00
09FN3001B02	EXTERNAL FAN, PLASTIC	1.000	24.00
S/P101-000-003	EPACT PROC-ZK 280FR & UP,LARGE KOBX,POLY	1.000	
10CB3001	CONDUIT BOX CAST W/2.500 LEAD HOLE	1.000	35.00
10XN3118K12	5/16-18 X .75 GRADE 5, ZINC PLATED	4.000	2.00
HW1001A31	LOCKWASHER 5/16, ZINC PLT.591 OD, .319 I	4.000	2.00
WD1000B16	KPA-4C BURNDY TERMINAL	1.000	4.00
51XF2520A08	SCREW, HEX SER SLT HD, ZN 1/4-20 X .50 L	1.000	2.00
10EP1106A01	FR ENDPLATE, MACH	1.000	206.00
HA4051A00	PLASTIC CAP FOR GREASE FITTING	1.000	2.00
XY3816A12	3/8-16 FINISHED NUT	4.000	2.00
HW1001A38	LOCKWASHER 3/8, ZINC PLT .688 OD, .382 I	4.000	2.00
HW5100A11	W3917-042 WVY WSHR (WB)	1.000	4.00
10XN2520K32	1/4-20 X 2.00 HX HD SCRW GRADE 5, ZINC P	2.000	2.00
HW1001A25	LOCKWASHER 1/4, ZINC PLT .493 OD, .255 I	2.000	2.00
10XN3118K44	5/16-18 X 2.75" HEX HD, GRADE 5	4.000	2.00
HW1001A31	LOCKWASHER 5/16, ZINC PLT.591 OD, .319 I	4.000	2.00
10EP1108A01	PULLEY ENDPLATE - 312 BRG.- ENCL.	1.000	156.00
HA4051A00	PLASTIC CAP FOR GREASE FITTING	1.000	2.00
HA3113A15	THRUBOLT 3/8-16 X 18.875 W/3.50 THD LENG	4.000	4.00
HW1001A38	LOCKWASHER 3/8, ZINC PLT .688 OD, .382 I	4.000	2.00
10FH4000	310 FAN HOUSING STAMPED	1.000	73.00
10XN2520K08	1/4-20 X .50 GRADE #5, STL, ZINC PLATE	4.000	2.00

Parts List (continued)			
Product ID	Description	Quantity	List Price
HW1001A25	LOCKWASHER 1/4, ZINC PLT .493 OD, .255 I	4.000	2.00
10CB3500SP	CONDUIT BOX LID, CAST	1.000	31.00
51XW2520A12	.25-20 X .75, TAPTITE II, HEX WSHR SLTD	4.000	2.00
HW4600B41	V-RING SLINGER 2.125 X 2.880 X 0.280	1.000	6.00
HW2501H33	KEY, 1/2 SQ X 3.875	1.000	2.00
LB1115	LABEL,LIFTING DEVICE (ON ROLLS0	1.000	2.00
12GS1000SP	GASKET	1.000	2.00
HW4500A21	1618BALEMITE FITTING 825 UNIVERSAL	1.000	5.00
HA4017A01	1/8 X 4 GREASE EXT (F/S)	1.000	4.00
HW4500A17	317400 ALEMITE GREASE RELIEF	1.000	4.00
HA4001A01SP	DRAIN PLUG, PLASTIC (MICRO PLAS)	1.000	2.00
MJ1000A02	GREASE, POLYREX EM EXXON	0.130	10.00
HW4500A03	GREASE FITTING, .125 NPT 1610(ALEMITE) 8	1.000	2.00
HW4500A17	317400 ALEMITE GREASE RELIEF	1.000	4.00
HA4001A01SP	DRAIN PLUG, PLASTIC (MICRO PLAS)	1.000	2.00
HW2500A25	WOODRUFF KEY USA #1008 #BLOW CARBON STEE	1.000	2.00
51XB1214A20	12-14X1.25 HXWSSLD SERTYB	1.000	2.00
10GS1000	GASKET, CONDUIT BOX LID	1.000	2.00
MG1000G27	PAINT- S9282E CHARCOAL GREY	0.070	4,000.00
85XU0407A04	#4-7 X 1/4 DRIVE PIN	2.000	2.00
LB5040	INSTRUCTION TAG, AC & DC	1.000	2.00
LB1119	WARNING LABEL	1.000	2.00
LB1125C04	STD-E (STOCK CTN LABEL STD-E WITH FLAG)	4.000	2.00
LC0181	CONNECTION LABEL	1.000	6.00

Parts List (continued)			
Product ID	Description	Quantity	List Price
NP1256L	NP STD LASER ENGRAVED, UL CSA CC, W/O TH	1.000	3.00
42PA1007	PACKAGING GROUP, 09 STD	1.000	126.00

10LYF315



CUSTOMER IS RESPONSIBLE FOR DETERMINING THAT MOTOR PERFORMANCE IS SUITABLE IN THE APPLICATION.

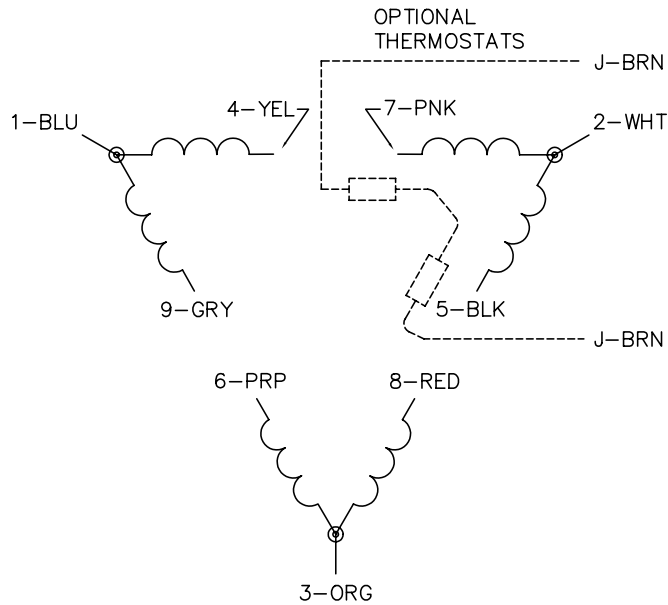
REV. DESC: CHG'D THURBOLT "HA3113A11" TO "HA3113A15"			
REV. LTR: C	BY: NKH	REVISED: 10:38:11 11/14/2003	TDR: 317757
FILE: AAA00090126		REF: 10LYF315	
MTL: -			

BALDOR ELECTRIC Co.

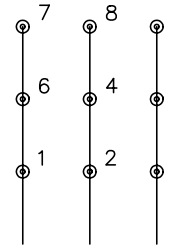
STD HOR 324-6T TEFC W/THRU BOLT DESIGN

10LYF315

CD0180

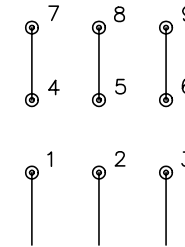


LOW VOLTAGE
(2D)



LINE

HIGH VOLTAGE
(1D)



LINE

NOTES:

1. INTERCHANGE ANY TWO LINE LEADS TO REVERSE ROTATION.
2. OPTIONAL THERMOSTATS ARE PROVIDED WHEN SPECIFIED.
3. ACTUAL NUMBER OF INTERNAL PARALLEL CIRCUITS MAY BE A MULTIPLE OF THOSE SHOWN ABOVE.
4. LEAD COLORS ARE OPTIONAL. LEADS MUST ALWAYS BE NUMBERED AS SHOWN.

REV. DESC: REVISE TO SHOW OPTIONAL COLORS

REV. LTR: C BY: JLP

REVISED: 01/21/99 2:28

TDR: 0171435

0810D0

FILE: AAA00005148

MDL: -

MTL: -

BALDOR ELECTRIC Co.

3PH, DV, 9 LEADS, DELTA CONNECTION

CD0180